



AVR400: Low Cost A/D Converter

Features

- Interrupt Driven
- Code Size: 23 Words
- Low Use of External Components
- Resolution: 6 Bits
- Measurement Range: 0 - 2 V
- Runs on Any AVR Device with 8-bit Timer/Counter and Analog Comparator

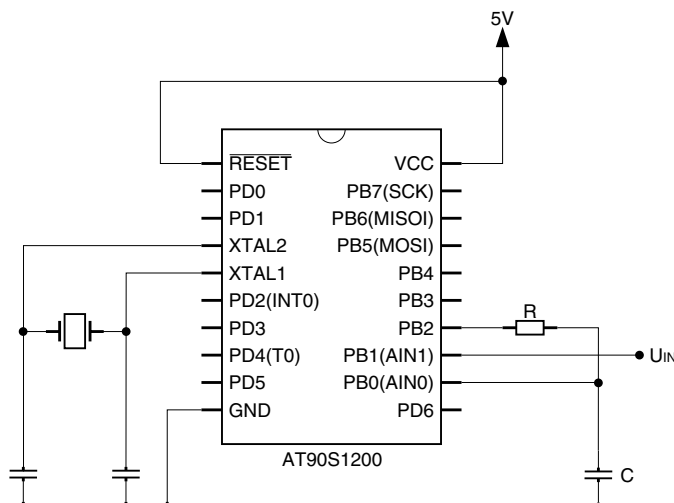
Introduction

This application note targets cost and space critical applications that need an ADC. It describes how to make a simple ADC with only two external components, a resistor and a capacitor. The design enables a very compact and inexpensive application.

Theory of Operation

Nearly all AVR microcontrollers feature an Analog Comparator which makes it easy to implement an ADC. The signal to be measured is connected to the inverted input, and a reference signal is connected to the non-inverting input. The reference signal is generated by charging a capacitor through a resistor. When the capacitor is being charged, the voltage across it will follow an exponential curve. If the voltage range to be measured is limited to $2/5 \cdot V_{CC}$, the exponential curve is a good approximation to a straight line. The voltage of the applied signal, U_{IN} is found by measuring the time it takes for the voltage across the capacitor to rise above the applied voltage. By using one pin on port B to control the charging and discharging of the capacitor, only three port pins are used. A schematic diagram is found in Figure 1.

Figure 1. Circuit Diagram



Rev. 0942B-AVR-05/02



8-bit AVR[®]
Microcontroller

Application
Note

The time constant of the R/C network must be tuned so that the following equation is satisfied:

$$\frac{512}{f} = -RC \ln\left(1 - \frac{2}{5}\right) \Rightarrow RC = \frac{1002}{f}$$

Component values for some typical Oscillator frequencies are shown in Table 1. If the time constant varies from this, it will cause errors in the result. This makes it necessary to use components with high accuracy in the RC-network. The voltage curve for the capacitor is shown together with a straight line in Figure 2. As the supply voltage is used as a reference, it must be stable during the conversion.

Figure 2. A/D Converter Linearity

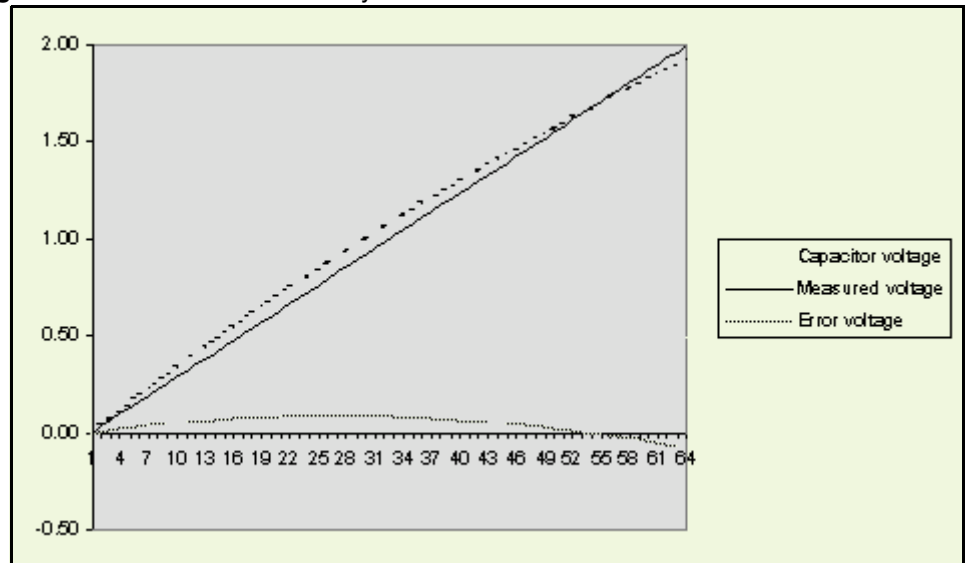


Table 1. R/C Network Component Values

XTAL (MHz)	1	2	4	6	8	10	12	14	16
R (kΩ)	100	33	30	30	27	100	56	47	160
C (nF)	10	15	8.2	5.6	4.7	1	1.5	1.5	0.39

To ensure proper operation, the capacitor must be discharged for at least 200 μs between conversions. If the capacitor is not properly discharged, it will not be possible to measure low values. If the voltage input is larger than 2/5 V_{CC}, the converter will return the maximum value. This is accomplished by loading an offset value into the Timer/Counter0 Register before conversion starts. The timer will give an Overflow Interrupt after 512 cycles (64*8). This is the time it takes for the voltage across the capacitor to reach 2/5 V_{CC}. If the voltage is within the operating range, an Analog Comparator interrupt will occur. Offset is subtracted from the measured value.

Implementation

The ADC uses Timer/Counter0 and the Analog Comparator interrupts. This frees the MCU resources during conversion.

Subroutine “convert_init” – ADC Initialization

This subroutine is called to initialize the ADC. This must be done before the ADC is used. By calling this subroutine, the Comparator and Timer interrupts are enabled, and the control pin is set as output. Then the “SEI” instruction, which enables global interrupts, should be called to enable the A/D converter. By calling “CLI”, the A/D converter is disabled.

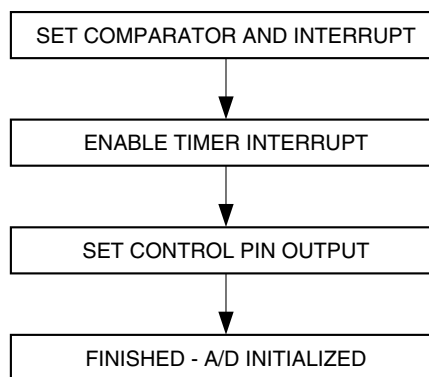
Table 2. “convert_init” Subroutine Performance Figures

Parameter	Value
Code Size	6 words
Execution Cycles	10, including the RET instruction
Register Usage	<ul style="list-style-type: none"> • Low Registers :None • High Registers :1 • Pointers :None

Table 3. “convert_init” Register Usage

Register	Input	Internal	Output
R16		"result" – Scratch Register	

Figure 3. “convert_init” Flow Chart



“AD_convert” Subroutine – Start an A/D Conversion

This routine is used to start an A/D conversion. It pre-loads the Counter with 256 - 64 and starts counting up at the frequency XTAL/8. The Conversion Complete Flag (the T-flag in the Status Register) is cleared, and the charging of the capacitor is started.

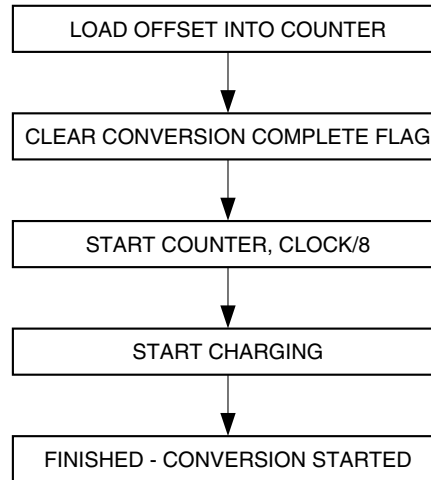
Table 4. “AD_convert” Subroutine Performance Figures

Parameter	Value
Code Size	7 words
Execution Cycle	10 (including RET)
Register Usage	<ul style="list-style-type: none"> • Low Registers :None • High Registers :1 • Pointers :None • Status Flags :1

Table 5. “AD_convert” Register usage

Register	Input	Internal	Output
R16		"result" – Scratch Register	
SREG			T-flag – This flag is used to indicate that a conversion is in progress.

Figure 4. ADC Conversion Flow Chart



“ANA_COMP” – Interrupt Handling Routine

This routine is executed when a conversion is complete. It loads the Timer/Counter0 value, stops the timer and sets the Conversion Complete Flag (T-flag in SREG). The offset is then subtracted from the timer value. It is necessary to subtract one more than the offset, because the interrupt handling takes a minimum of seven cycles.

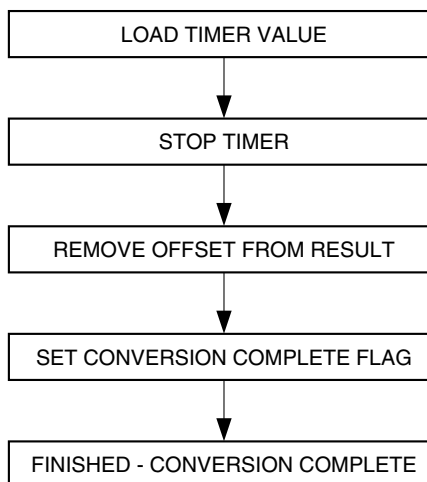
Table 6. “ANA_COMP” Subroutine Performance Figures

Parameter	Value
Code Size	7 words
Execution Cycle	11 (including RETI)
Register Usage	<ul style="list-style-type: none"> • Low Registers :None • High Registers :2 • Pointers :None • Status Flags :1
Interrupt Usage	Timer/Counter0 and Analog Comparator Interrupt

Table 7. “ANA_COMP” Register usage

Register	Input	Internal	Output
R16		"result" – Stores the Timer value	"result" – Contains the result from the A/D conversion
R17		"temp" – Scratch Register	
SREG			T-Flag – This flag is used to indicate that the conversion is finished

Figure 5. "ANA_COMP" Flowchart



Example Program

The example program that is included in this application note performs successive conversions, and presents the data as binary values on port B.

Table 8. Overall Performance Figures

Parameter	Value
Code Size	23 words – A/D converter routines only 37 words – Complete with test program
Register Usage	<ul style="list-style-type: none"> • Low Registers :None • High Registers :2 • Pointers :None • Status Flags :1
Interrupt Usage	Timer/Counter0 Overflow Interrupt Analog Comparator Interrupt
Peripheral Usage	Timer/Counter0 Analog Comparator (port B pin0 and pin1) Port B pin2 Port D (example program only)



Atmel Headquarters

Corporate Headquarters

2325 Orchard Parkway
San Jose, CA 95131
TEL 1(408) 441-0311
FAX 1(408) 487-2600

Europe

Atmel Sarl
Route des Arsenaux 41
Case Postale 80
CH-1705 Fribourg
Switzerland
TEL (41) 26-426-5555
FAX (41) 26-426-5500

Asia

Room 1219
Chinachem Golden Plaza
77 Mody Road Tsimhatsui
East Kowloon
Hong Kong
TEL (852) 2721-9778
FAX (852) 2722-1369

Japan

9F, Tonetsu Shinkawa Bldg.
1-24-8 Shinkawa
Chuo-ku, Tokyo 104-0033
Japan
TEL (81) 3-3523-3551
FAX (81) 3-3523-7581

Atmel Operations

Memory

2325 Orchard Parkway
San Jose, CA 95131
TEL 1(408) 441-0311
FAX 1(408) 436-4314

Microcontrollers

2325 Orchard Parkway
San Jose, CA 95131
TEL 1(408) 441-0311
FAX 1(408) 436-4314

La Chantrerie
BP 70602
44306 Nantes Cedex 3, France
TEL (33) 2-40-18-18-18
FAX (33) 2-40-18-19-60

ASIC/ASSP/Smart Cards

Zone Industrielle
13106 Rousset Cedex, France
TEL (33) 4-42-53-60-00
FAX (33) 4-42-53-60-01

1150 East Cheyenne Mtn. Blvd.
Colorado Springs, CO 80906
TEL 1(719) 576-3300
FAX 1(719) 540-1759

Scottish Enterprise Technology Park
Maxwell Building
East Kilbride G75 0QR, Scotland
TEL (44) 1355-803-000
FAX (44) 1355-242-743

RF/Automotive

Theresienstrasse 2
Postfach 3535
74025 Heilbronn, Germany
TEL (49) 71-31-67-0
FAX (49) 71-31-67-2340

1150 East Cheyenne Mtn. Blvd.
Colorado Springs, CO 80906
TEL 1(719) 576-3300
FAX 1(719) 540-1759

Biometrics/Imaging/Hi-Rel MPU/ High Speed Converters/RF Datacom

Avenue de Rochepleine
BP 123
38521 Saint-Egreve Cedex, France
TEL (33) 4-76-58-30-00
FAX (33) 4-76-58-34-80

e-mail

literature@atmel.com

Web Site

<http://www.atmel.com>

© Atmel Corporation 2002.

Atmel Corporation makes no warranty for the use of its products, other than those expressly contained in the Company's standard warranty which is detailed in Atmel's Terms and Conditions located on the Company's web site. The Company assumes no responsibility for any errors which may appear in this document, reserves the right to change devices or specifications detailed herein at any time without notice, and does not make any commitment to update the information contained herein. No licenses to patents or other intellectual property of Atmel are granted by the Company in connection with the sale of Atmel products, expressly or by implication. Atmel's products are not authorized for use as critical components in life support devices or systems.

ATMEL® and AVR® are the registered trademarks of Atmel.

Other terms and product names may be the trademarks of others.



Printed on recycled paper.