

AVR410: RC5 IR Remote Control Receiver

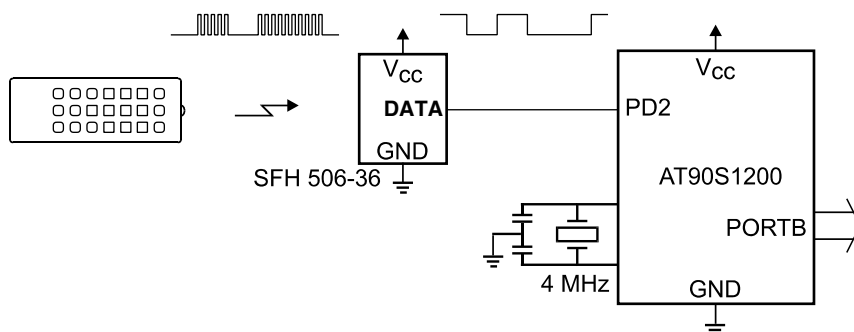
Features

- Low-cost
- Compact Design, Only One External Component
- Requires Only One Controller Pin, Any AVR Device Can be Used
- Size-efficient Code

Introduction

Most audio and video systems are equipped with an infrared remote control. This application note describes a receiver for the frequently used Philips/Sony RC5 coding scheme.

Figure 1. RC5 Receiver



The RC5 code is a 14-bit word bi-phase coded signal (See Figure 2). The two first bits are start bits, always having the value one. The next bit is a control bit or toggle bit, which is inverted every time a button is pressed on the remote control transmitter. Five system bits hold the system address so that only the right system responds to the code. Usually, TV sets have the system address 0, VCRs the address 5 and so on. The command sequence is six bits long, allowing up to 64 different commands per address.

The bits are transmitted in bi-phase code (also known as Manchester code) as shown in Figure 3. An example where the command 0x35 is sent to system 5 is shown in Figure 4.



8-bit AVR[®]
Microcontroller

Application
Note



Figure 2. RC5 Frame Format

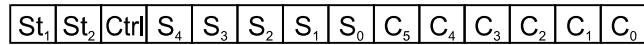


Figure 3. Bi-phase Coding

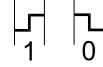
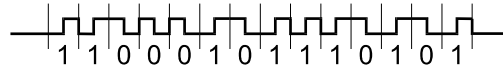


Figure 4. Example of Transmission



Timing

The bit length is approximately 1.8 ms. The code is repeated every 114 ms. To improve noise rejection, the pulses are modulated at 36 kHz. The easiest way to receive these pulses is to use an integrated IR-receiver/demodulator like the Siemens SFH 506-36. This is a 3-pin device that receives the infra-red burst and gives out the demodulated bit stream at the output pin. Note that the data is inverted compared to the transmitted data (i.e., the data is idle high).

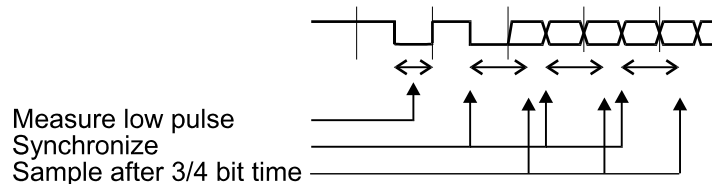
The Software

The assembly code found in AVR410.ASM contains the RC5 decode routine. In addition, it contains an example program which initializes the resources, decodes the RC5 data and outputs the received command on port B.

The Detect Subroutine

When the detect subroutine is called, it first waits for the data line to be idle high for more than 3.5 ms. Then, a start bit can be detected. The length of the low part of the first start bit is measured. If no start bit is detected within 131 ms, or if the low pulse is longer than 1.1 ms, the routine returns indicating no command received.

Figure 5. Synchronizing and Sampling of the Data



The measurement of the start bit is used to calculate two reference times, ref1 and ref2, which are used when sampling the data line. The program uses the edge in the middle of every bit to synchronize the timing. 3/4 bit length after this edge, the line is sampled. This is in the middle of the first half of the next bit (see Figure 5). The state is stored and the routine waits for the middle edge. Then, the timer is synchronized again and everything is repeated for the following bits. If the synchronizing edge is not detected within 5/4 bit times from the previous synchronizing edge, this is detected as a fault and the routine terminates.

When all the bits are received, the command and system address are stored in the "command" and "system" registers. The control bit is stored in bit 6 of "command".

Table 1. “Decode” Subroutine Performance Figures

Parameter	Value
Code Size	72 words
Execution Cycles	
Register Usage	Low Registers Used: 3 High Registers Used: 6 Global Registers: 6 Pointers Used: None

Table 2. “Detect” Register Usage

Register	Internal	Output
R1	“inttemp” – Used by TIM0_OVF	
R2	“ref1” – Holds Timing Information	
R3	“ref2” – Holds Timing Information	
R16	“temp” – Temporary Register	
R17	“timerL” – Timing Register	
R18	“timerH” – Timing Register	
R19		“system” – The System Address
R20		“command” – The Received Command
R21	“bitcnt” – Counts the Bits Received	

Timer/Counter0 Overflow Interrupt Handler

The function of the timer interrupt is to generate a clock base for the timing required. The routine increments the “timerL” Register every 64 μ s, and the “timerH” every 16,384 ms.

Table 3. “TIM0_OVF” Interrupt Handler Performance Figures

Parameter	Value
Code Size	7 words
Execution Cycles	6 + reti
Register Usage	Low Registers Used: 2 High Registers Used: 2 Global Registers: 0 Pointers Used: None

Table 4. “TIM0_OVF” Register Usage

Register	Internal	Output
R0	“S” – Temporary Storage of Sreg	
R1	“inttemp” – Used by TIM0_OVF	
R17	“timerL” – Incremented every 64 μ s	
R18	“timerH” – Incremented every 16,384 ms	

Example Program

The example program initializes the ports, sets up the timer and enables interrupts. Then, the program enters an eternal loop, calling the detect routine. If the system address is correct, the command is output on port B.

Table 5. Overall Performance Figures

Parameter	Value
Code Size	79 words – “detect” and “TIM0_OVF” 96 words – Complete Application Note
Register Usage	Low Registers: 4 High Registers: 6 Pointers: None
Interrupt Usage	Timer/Counter 0 Interrupt
Peripheral Usage	Timer/Counter Port D, pin 2 Port B (example program only)

```

;*****
;* APPLICATION NOTE FOR THE AVR FAMILY
;*
;* Number           : AVR410
;* File Name        : "rc5.asm"
;* Title            : RC5 IR Remote Control Decoder
;* Date             : 97.08.15
;* Version          : 1.0
;* Support telephone : +47 72 88 43 88 (ATMEL Norway)
;* Support fax       : +47 72 88 43 99 (ATMEL Norway)
;* Target MCU       : AT90S1200
;*
;* DESCRIPTION
;* This Application note describes how to decode the frequently used
;* RC5 IR remote control protocol.
;*
;* The timing is adapted for 4 MHz crystal
;*
;*****
.include "1200def.inc"
.device AT90S1200

.equ   INPUT      =2           ;PD2
.equ   SYS_ADDR   =0           ;The system address

.def   S          =R0          ; Storage for the Status Register
.def   inttemp    =R1          ; Temporary variable for ISR
.def   ref1       =R2
.def   ref2       =R3          ; Reference for timing

.def   temp       =R16         ; Temporary variable

.def   timerL     =R17         ; Timing variable updated every 14 us
.def   timerH     =R18         ; Timing variable updated every 16 ms
.def   system     =R19         ; Address data received
.def   command    =R20         ; Command received

.def   bitcnt     =R21         ; Counter

.cseg
.org 0
        rjmp      reset

;*****
;* "TIM0_OVF" - Timer/counter overflow interrupt handler
;*
;* The overflow interrupt increments the "timerL" and "timerH"
;* every 64us and 16,384us.
;*

```

```

;* Crystal Frequency is 4 MHz
;*
;* Number of words:7
;* Number of cycles:6 + reti
;* Low registers used:1
;* High registers used: 3
;* Pointers used:0
;*****
.org OVf0addr
TIM0_OVF:
    in     S,sreg           ; Store SREG
    inc   timerL           ; Updated every 64us
    inc   inttemp
    brne  TIM0_OVF_exit

    inc   timerH           ; if 256th int inc timer

TIM0_OVF_exit:
    out   sreg,S           ; Restore SREG
    reti

;*****
;* Example program
;*
;* Initializes timer, ports and interrupts.
;*
;* Calls "detect" in an endless loop and puts the result out on
;* port B.
;*
;* Number of words:      16
;* Low registers used:   0
;* High registers used:  3
;* Pointers used:       0
;*****

reset:
    ;ldi   temp,low(RAMEND);Initialize stackpointer for parts with SW stack
    ;out   SPL,temp
    ;ldi   temp,high(RAMEND) ; Commented out since 1200 does not have SRAM
    ;out   SPH,temp

    ldi   temp,1           ;Timer/Counter 0 clocked at CK
    out   TCCR0,temp

    ldi   temp,1<<TOIE0   ;Enable Timer0 overflow interrupt
    out   TIMSK,temp

    ser   temp             ;PORTB as output
    out   DDRB,temp

```

```

        sei                                ;Enable global interrupt

main:
    rcall    detect                        ;Call RC5 detect routine

        cpi     system,SYS_ADDR           ;Responds only at the specified address
        brne    release

        andi    command,0x3F             ;Remove control bit
        out     PORTB,command

        rjmp    main

release:
    clr      command                      ;Clear PORTB
    out      PORTB,command
    rjmp     main

;*****
;* "detect" - RC5 decode routine
;*
;* This subroutine decodes the RC5 bit stream applied on PORTD
;* pin "INPUT".
;*
;* If success: The command and system address are
;* returned in "command" and "system".
;* Bit 6 of "command" holds the toggle bit.
;*
;* If failed: $FF in both "system" and "command"
;*
;* Crystal frequency is 4MHz
;*
;* Number of words:72
;* Low registers used: 3
;* High registers used: 6
;* Pointers used: 0
;*****
detect:
    clr      inttemp                      ; Init Counters
    clr      timerH

detect1:
    clr      timerL

detect2:
    cpi     timerH,8                      ;If line not idle within 131ms
    brlo    d11
    rjmp    fault                        ;then exit

d11:
    cpi     timerL,55                    ;If line low for 3.5ms

```

```

    brge    start1        ;then wait for start bit

    sbis    PIND,INPUT    ;If line is
    rjmp    detect1       ;low - jump to detect1
    rjmp    detect2       ;high - jump to detect2

start1:
    cpi     timerH,8      ;If no start bit detected
    brge    fault        ;within 130ms then exit

    sbic    PIND,INPUT    ;Wait for start bit
    rjmp    start1

    clr     timerL        ;Measure length of start bit

start2:
    cpi     timerL,17     ;If startbit longer than 1.1ms,
    brge    fault        ;exit

    sbis    PIND,INPUT    ;Positive edge of 1st start bit
    rjmp    start2

    mov     temp,timerL   ;timer is 1/2 bit time
    clr     timerL

    mov     ref1,temp
    lsr     ref1
    mov     ref2,ref1
    add     ref1,temp     ;ref1 = 3/4 bit time
    lsl     temp
    add     ref2,temp     ;ref2 = 5/4 bit time

start3:
    cp      timerL,ref1   ;If high period St2 > 3/4 bit time
    brge    fault        ;exit

    sbic    PIND,INPUT    ;Wait for falling edge start bit 2
    rjmp    start3
    clr     timerL
    ldi     bitcnt,12     ;Receive 12 bits
    clr     command
    clr     system

sample:
    cp      timerL,ref1   ;Sample INPUT at 1/4 bit time
    brlo    sample

    sbic    PIND,INPUT
    rjmp    bit_is_a_1    ;Jump if line high

bit_is_a_0:
    clc                                     ;Store a '0'

```



```

        rol     command
        rol     system

                                           ;Synchronize timing
bit_is_a_0a:
        cp     timerL,ref2           ;If no edge within 3/4 bit time
        brge   fault                 ;exit
        sbis   PIND,INPUT            ;Wait for rising edge
        rjmp   bit_is_a_0a          ;in the middle of the bit

        clr    timerL
        rjmp   nextbit

bit_is_a_1:
        sec                                ;Store a '1'
        rol     command
        rol     system

                                           ;Synchronize timing
bit_is_a_1a:
        cp     timerL,ref2           ;If no edge within 3/4 bit time
        brge   fault                 ;exit
        sbic   PIND,INPUT            ;Wait for falling edge
        rjmp   bit_is_a_1a          ;in the middle of the bit

        clr    timerL

nextbit:
        dec     bitcnt                ;If bitcnt > 0
        brne   sample                ;get next bit
                                           ;All bits sucessfully received!
        mov    temp,command           ;Place system bits in "system"
        rol    temp
        rol    system
        rol    temp
        rol    system

        bst    system,5               ;Move toggle bit
        bld    command,6             ;to "command"

                                           ;Clear remaining bits
        andi   command,0b01111111
        andi   system,0x1F

        ret

fault:
        ser    command                ;Both "command" and "system"
        ser    system                 ;0xFF indicates failure
        ret

```



Atmel Headquarters

Corporate Headquarters

2325 Orchard Parkway
San Jose, CA 95131
TEL 1(408) 441-0311
FAX 1(408) 487-2600

Europe

Atmel Sarl
Route des Arsenaux 41
Case Postale 80
CH-1705 Fribourg
Switzerland
TEL (41) 26-426-5555
FAX (41) 26-426-5500

Asia

Room 1219
Chinachem Golden Plaza
77 Mody Road Tsimhatsui
East Kowloon
Hong Kong
TEL (852) 2721-9778
FAX (852) 2722-1369

Japan

9F, Tonetsu Shinkawa Bldg.
1-24-8 Shinkawa
Chuo-ku, Tokyo 104-0033
Japan
TEL (81) 3-3523-3551
FAX (81) 3-3523-7581

Atmel Operations

Memory

2325 Orchard Parkway
San Jose, CA 95131
TEL 1(408) 441-0311
FAX 1(408) 436-4314

Microcontrollers

2325 Orchard Parkway
San Jose, CA 95131
TEL 1(408) 441-0311
FAX 1(408) 436-4314

La Chantrerie
BP 70602
44306 Nantes Cedex 3, France
TEL (33) 2-40-18-18-18
FAX (33) 2-40-18-19-60

ASIC/ASSP/Smart Cards

Zone Industrielle
13106 Rousset Cedex, France
TEL (33) 4-42-53-60-00
FAX (33) 4-42-53-60-01

1150 East Cheyenne Mtn. Blvd.
Colorado Springs, CO 80906
TEL 1(719) 576-3300
FAX 1(719) 540-1759

Scottish Enterprise Technology Park
Maxwell Building
East Kilbride G75 0QR, Scotland
TEL (44) 1355-803-000
FAX (44) 1355-242-743

RF/Automotive

Theresienstrasse 2
Postfach 3535
74025 Heilbronn, Germany
TEL (49) 71-31-67-0
FAX (49) 71-31-67-2340

1150 East Cheyenne Mtn. Blvd.
Colorado Springs, CO 80906
TEL 1(719) 576-3300
FAX 1(719) 540-1759

Biometrics/Imaging/Hi-Rel MPU/ High Speed Converters/RF Datacom

Avenue de Rochepleine
BP 123
38521 Saint-Egreve Cedex, France
TEL (33) 4-76-58-30-00
FAX (33) 4-76-58-34-80

e-mail

literature@atmel.com

Web Site

<http://www.atmel.com>

© Atmel Corporation 2002.

Atmel Corporation makes no warranty for the use of its products, other than those expressly contained in the Company's standard warranty which is detailed in Atmel's Terms and Conditions located on the Company's web site. The Company assumes no responsibility for any errors which may appear in this document, reserves the right to change devices or specifications detailed herein at any time without notice, and does not make any commitment to update the information contained herein. No licenses to patents or other intellectual property of Atmel are granted by the Company in connection with the sale of Atmel products, expressly or by implication. Atmel's products are not authorized for use as critical components in life support devices or systems.

ATMEL® and AVR® are the registered trademarks of Atmel.

Other terms and product names may be the trademarks of others.



Printed on recycled paper.