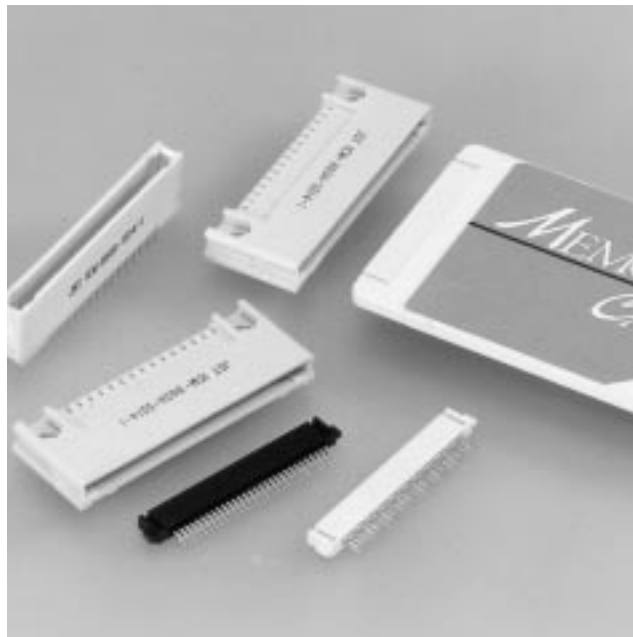
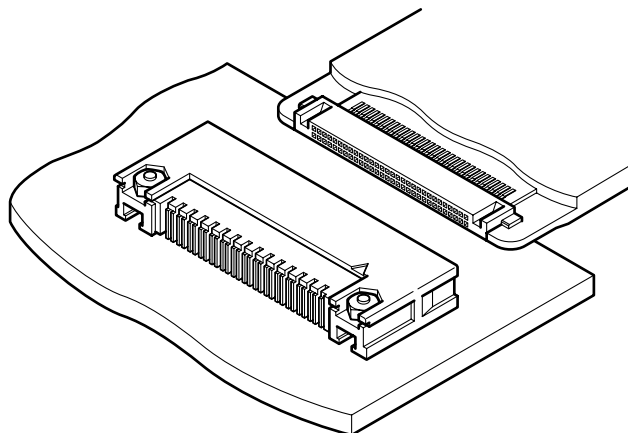


JSTMemory
Card**1.27mm**
(.050") pitch

MEMORY CARD CONNECTOR B TYPE

60-circuit PC card connector, conforming to JEDEC

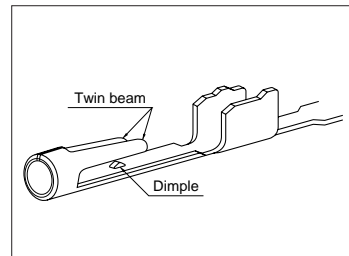
State-of-the-art connector for PC cards
1.27mm (.050") pin to pin pitch. 60-circuit,
two row, two piece construction.
Only 3.0mm (.118") thick on the socket
side. 5,000 mating cycles service life
(durability). 3-point electrical contact for
each circuit. Low maximum insertion
force (2.0 kgf (4.4 lbs) per connector)



Features

• Low insertion force & high contact reliability

Contacts with three points of contact, redundant beams, and various mating heights (within the same connector) assure high connector performance and a low insertion force.



• Outstanding connector durability

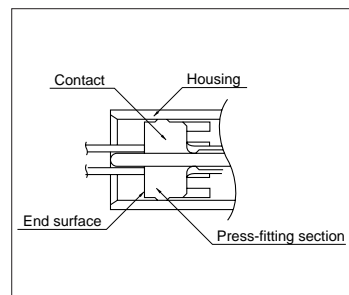
Protected, split beam contacts with different mating heights effectively prevent damage during mating and unmating, thus, providing dependable performance during their entire 5,000 mating cycle service life.

• Designed to make misconnection impossible

Misconnection is not possible because guide ribs on one side of the shrouded header match grooves in the socket.

• Solder cannot enter contact mating areas


The end surface (see figure in the right) of the pressure-fit insulator lock on the socket contact is set well inside the insulator. This prevents solder from entering the mating area when surface-mounting the socket.



Specifications

- Current rating: 0.5A AC, DC/line
 - Temperature range: -40°C to +85°C
(including temperature rise in applying electrical current)
 - Contact resistance: Initial value/35mΩ max.
After environmental testing/
max. 20mΩ variation from initial
 - Withstanding voltage: 250V AC/minute
 - Insulation resistance: 100MΩ min. (100V DC)
 - Mating/unmating life: 5,000 cycles
- * Contact JST for details.

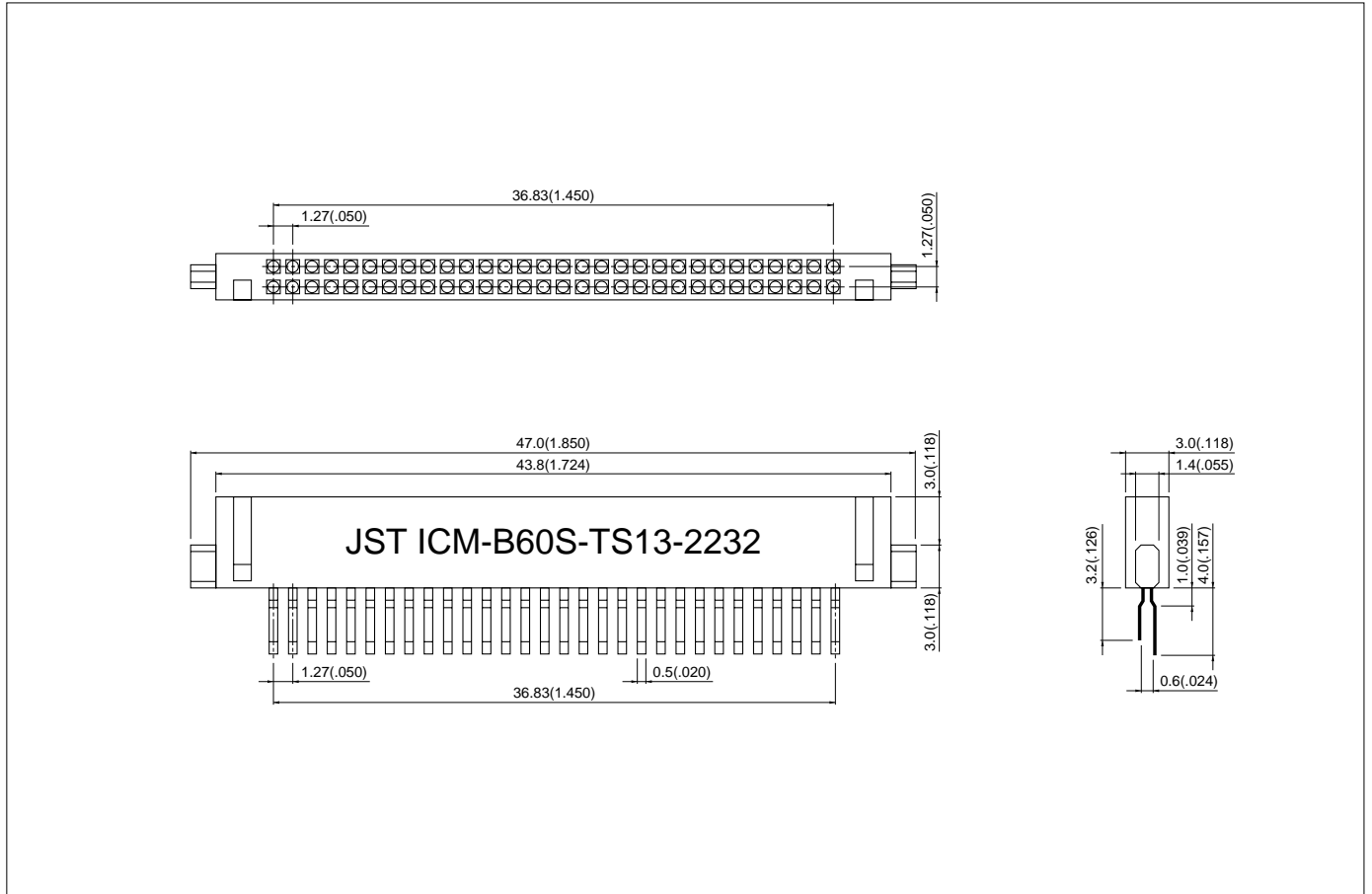
Standards

 Recognized file No. E60389

 Certified file No. LR20812

MEMORY CARD CONNECTOR BTYPE

Socket



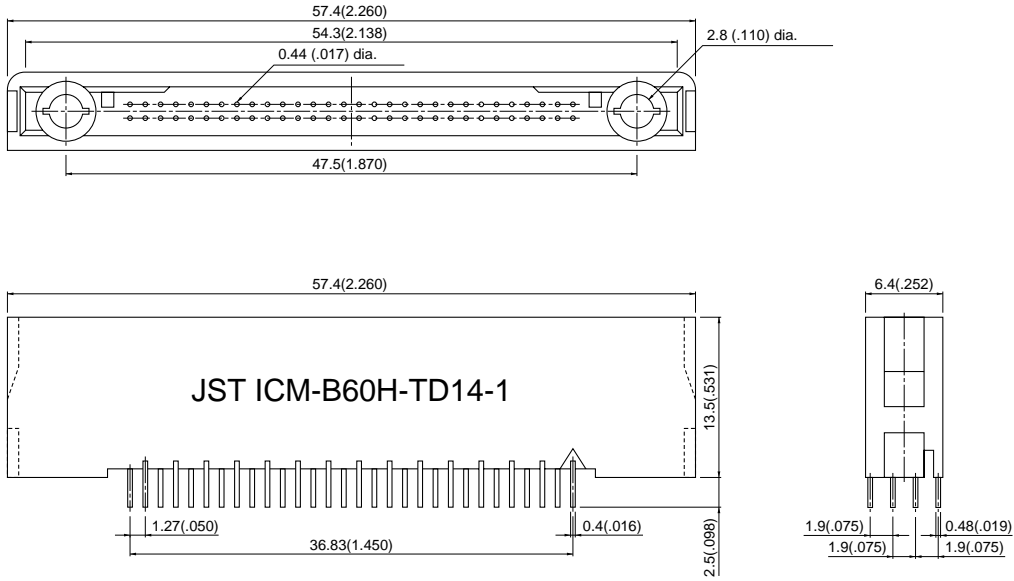
Circuits	Model No.	Q'ty / box
60	ICM-B60S-TS13-2232	540

Material and Finish
Contact: Copper-alloy, nickel-undercoated Mating section...Gold-plated Solder tail...Tin/lead-plated Housing: Glass-filled nylon 66, UL94V-0, ivory

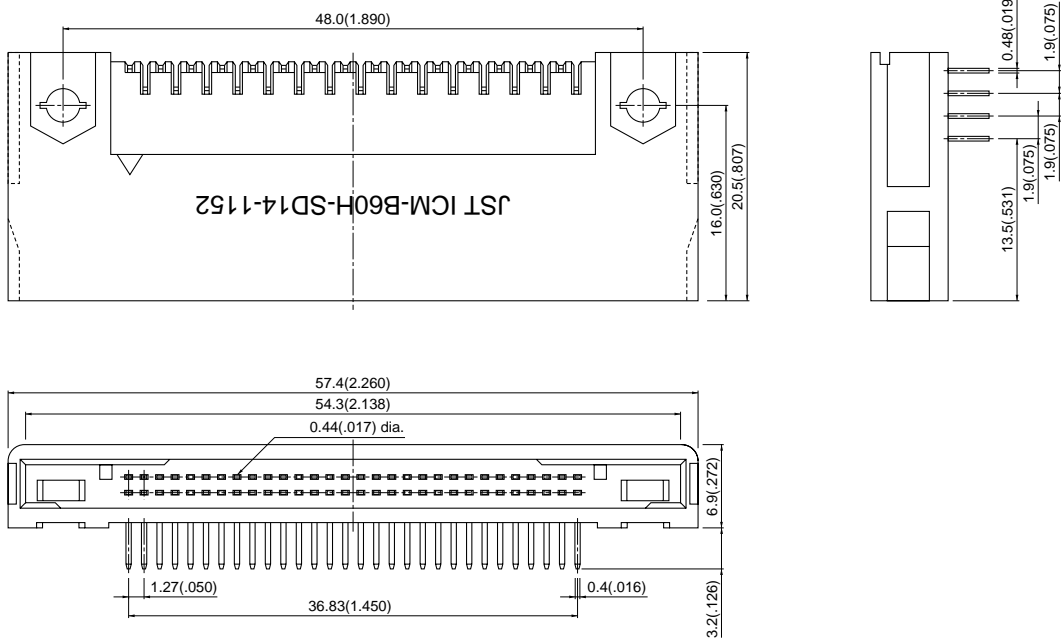
MEMORY CARD CONNECTOR B TYPE

Header

Top entry type



Side entry type



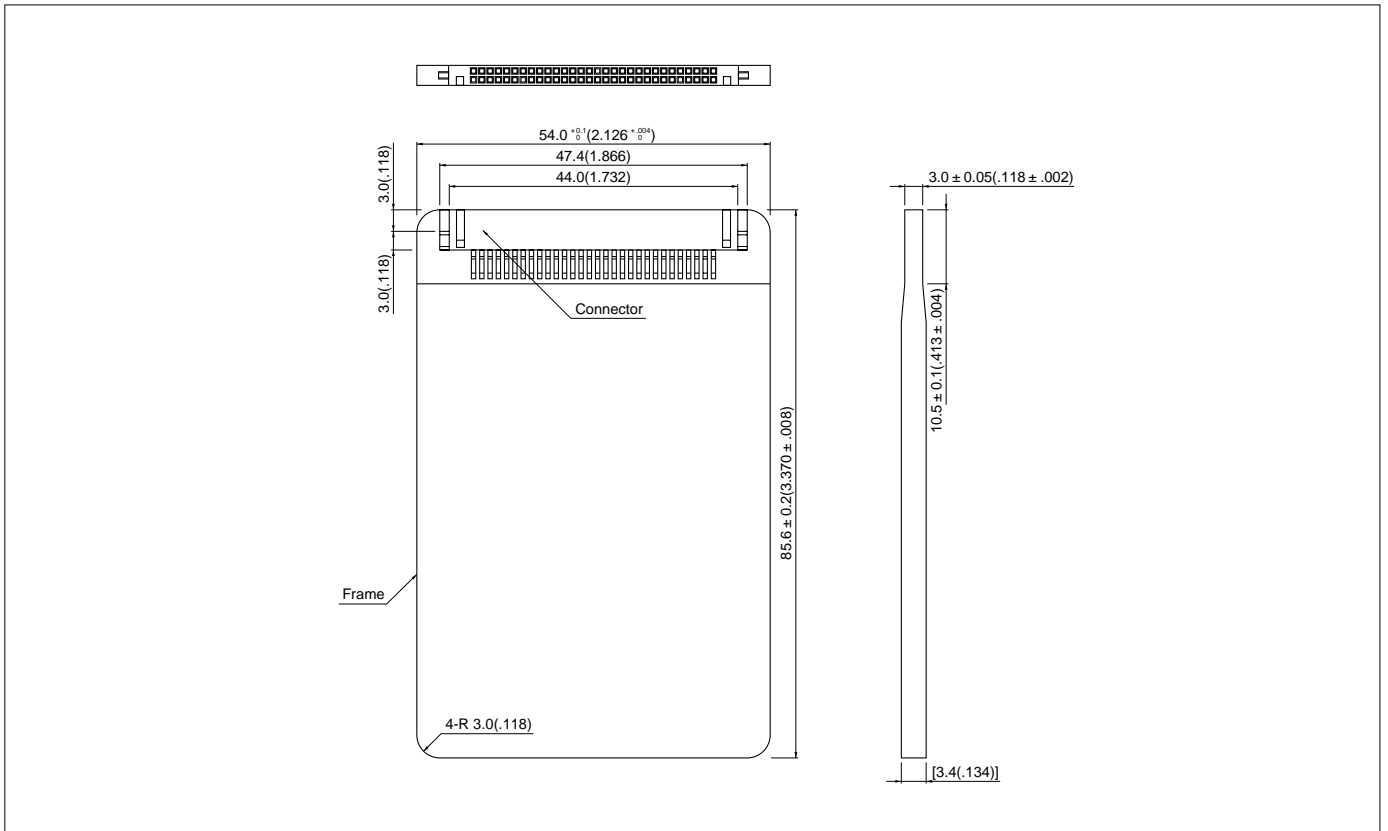
Circuits	Model No.		Q'ty / box	
	Top entry type	Side entry type	Top entry type	Side entry type
60	ICM-B60H-TD14-1	ICM-B60H-SD14-1152	144	60

Material and Finish

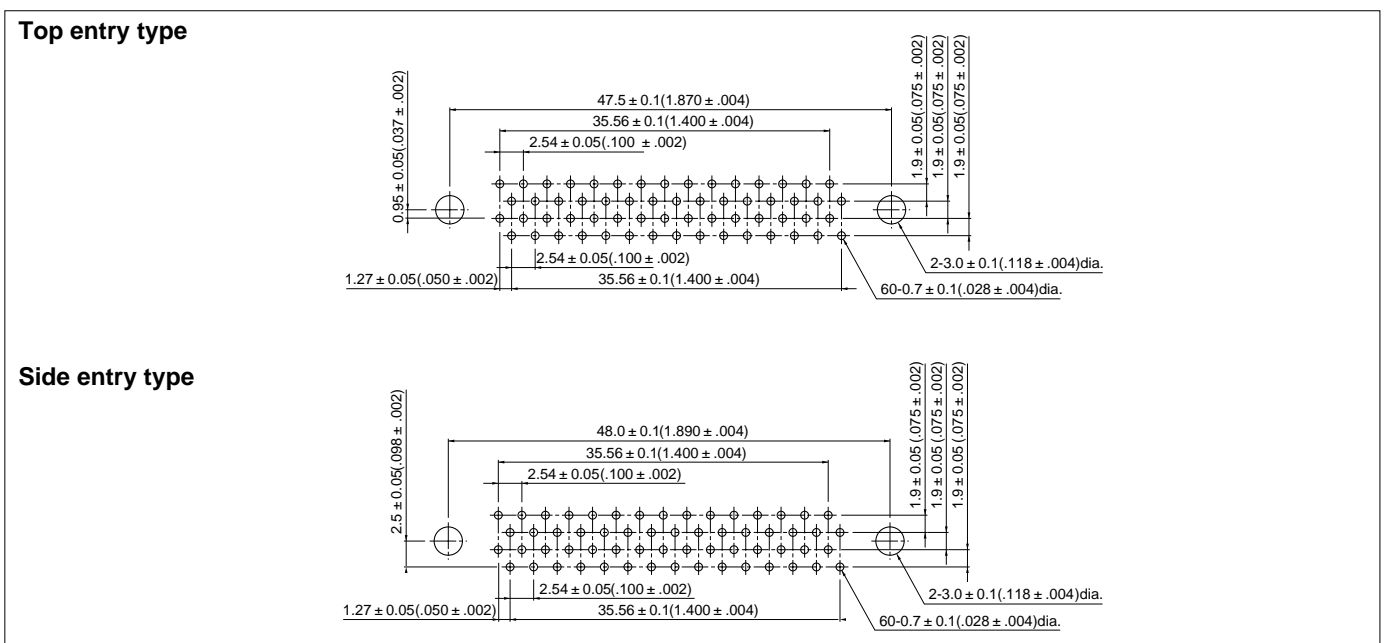
Contact: Phosphor bronze, nickel-undercoated
Mating section...Gold-plated
Solder tail...Tin/lead-plated
Housing: Glass-filled nylon 66, UL94V-0, ivory

MEMORY CARD CONNECTOR B TYPE

Typical dimensions of PC card with Memory card connector B type (for reference)



PC board layout (viewed from component side)



Note: 1. The dimensions above should serve as a guideline. Contact JST for details.
2. Tolerances are non-cumulative: ±0.05mm (±.002") for all centers.