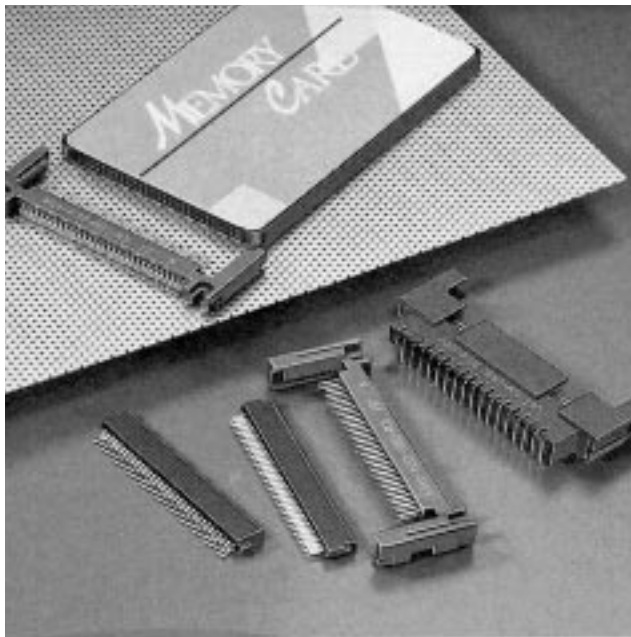


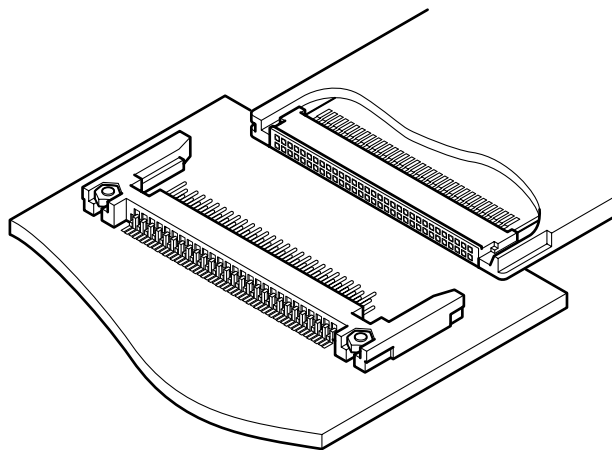
JSTPC
Card**1.27mm**
(.050") pitch

PC CARD CONNECTOR C TYPE

68-circuit PC card connector, conforming to PCMCIA/JEIDA Ver.4.1



The ICM connector C type is a 1.27mm (.050") pitch 68-circuit connector for IC memory cards. It is super thin and light - the ejector has a thickness of 7.0mm (.276"), and the combined weight of the header and ejector is only 22g (.049 lbs).



Features

- **Conformity to PCMCIA (USA) and JEIDA Ver.4.1 (Japan)**

The ICM-C connector conforms to PCMCIA (USA) / JEIDA Ver.4.1 (Japan).

- **Three type cards usable**

Type I cards, type II cards, and type III cards, can be used.

- **Easy inspection and touch-up after reflow soldering**

The SMT type header is 0.635mm (.025") pitch, with single row solder tails positioned so that inspection and touch-up after reflow soldering is easy.

- **Light weight and compact ejector**

The ejector is light and compact. It also provides a secure grounding circuit.

- **Low insertion force and high contact reliability**

The socket's contact has two contact points. Because of this configuration, this connector requires low insertion forces and high contact reliability. We guarantee 10,000 mating cycles.

Specifications

- Current rating: 0.5A AC, DC/line
 - Temperature range: -40°C to +85°C
(including temperature rise in applying electrical current)
 - Contact resistance: Initial value/40mΩ max.
After environmental testing/max.
20m Ω variation from initial value
 - Withstanding voltage: 500V AC/minute
 - Insulation resistance: 1,000MΩ min. (Initial)
 - Mating/unmating life: 10,000 cycles
- * Contact JST for details.

Standards

 Recognized file No. E60389

 Certified file No. LR20812

PC CARD CONNECTOR TYPE

Socket

Fig.1

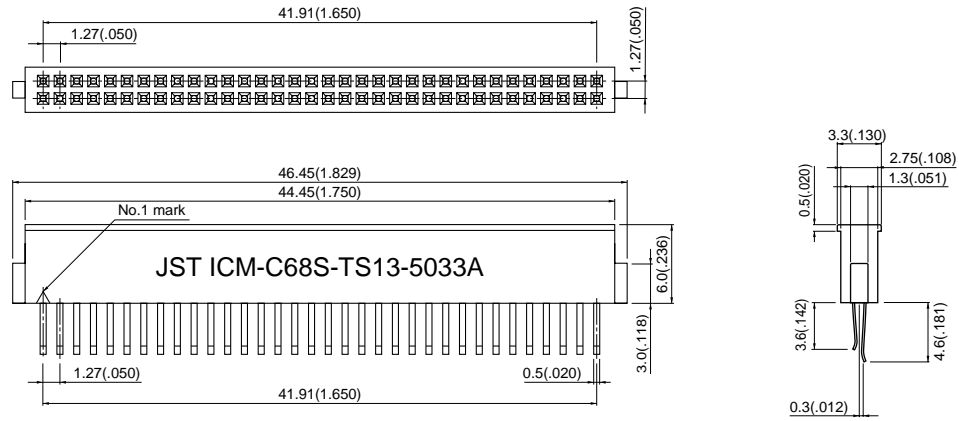


Fig.2

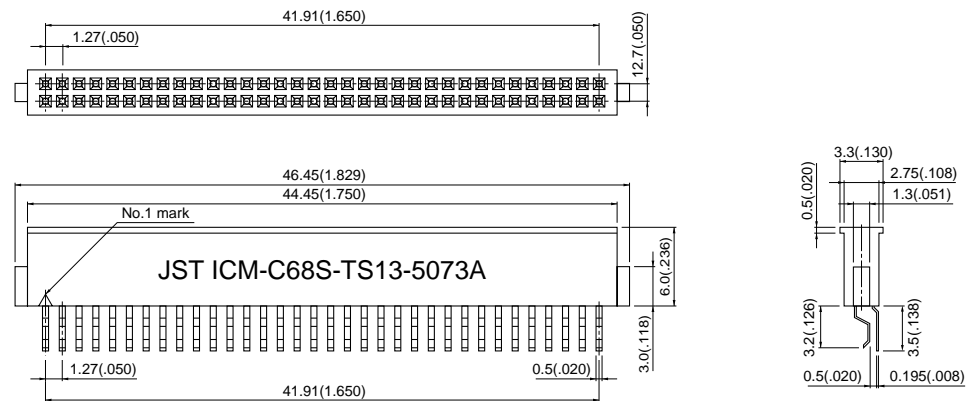
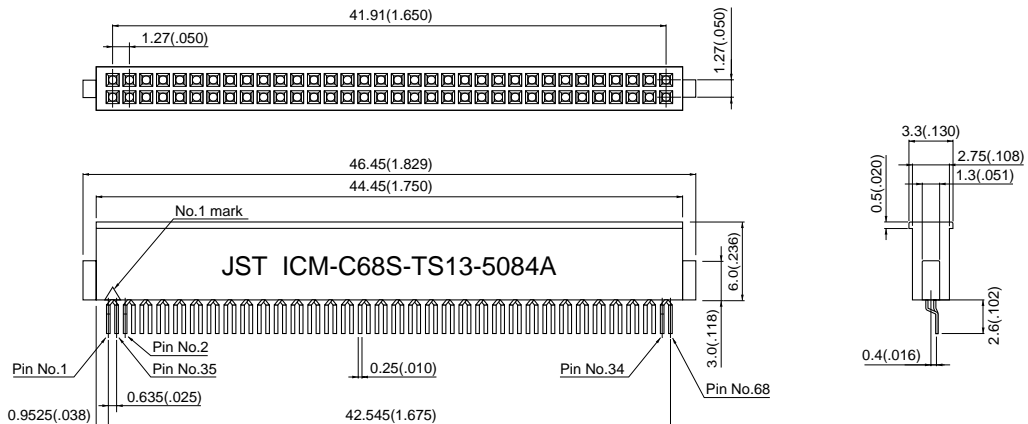


Fig.3



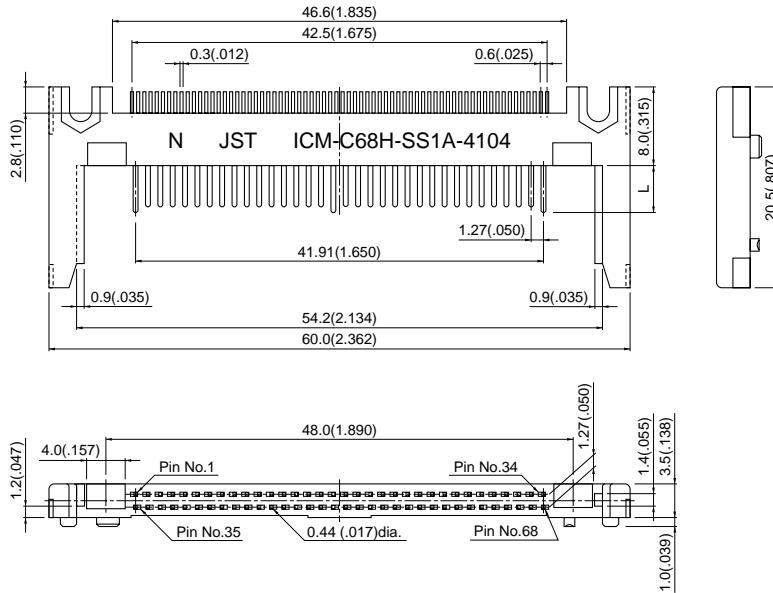
Circuits	Figure	Model No.	Q'ty / box
68	1	ICM-C68S-TS13-5033A	480
	2	ICM-C68S-TS13-5073A	
	3	ICM-C68S-TS13-5084A	360

Material and Finish
Contact: Beryllium copper, nickel-undercoated
Mating section...Gold-plated
Solder tail...Tin/lead-plated
Housing: PA6T, UL94V-0, black

PC CARD CONNECTOR TYPE

Header/SMT type (For Type I Cards)

Normal type



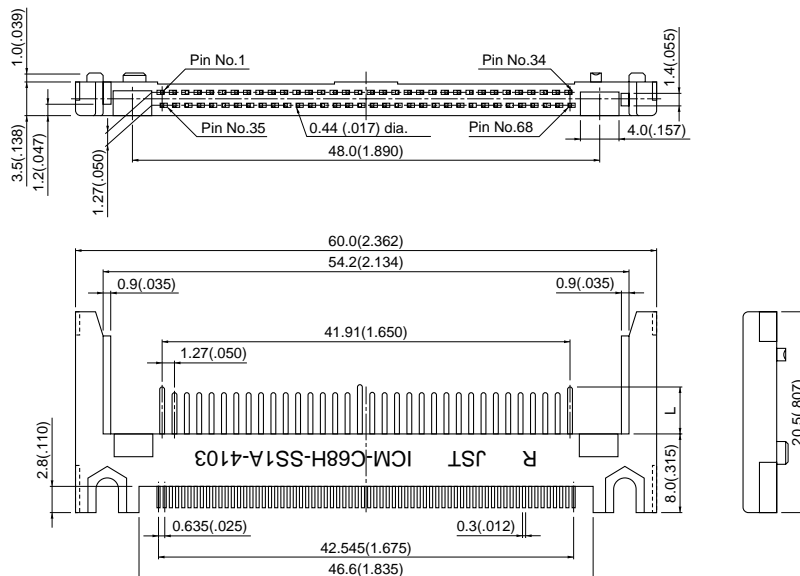
Dimension L

Pin No.	Dimensions mm(in.)
1, 17, 34, 35, 51, 68	5.0 ±0.1(.197 ±.004)
2 to 16, 18 to 33, 37 to 50, 52 to 66	4.25 ±0.1(.167 ±.004)
36, 37	3.5 ±0.1(.138 ±.004)

Circuits	Model No.	Q'ty / box
68	ICM-C68H-SS1A-4104	150

Material and Finish
Contact: Phosphor bronze, nickel-undercoated Mating section...Gold-plated Solder tail...Tin/lead-plated Housing: PPS, UL94V-0, natural (brown)

Reverse type



Dimension L

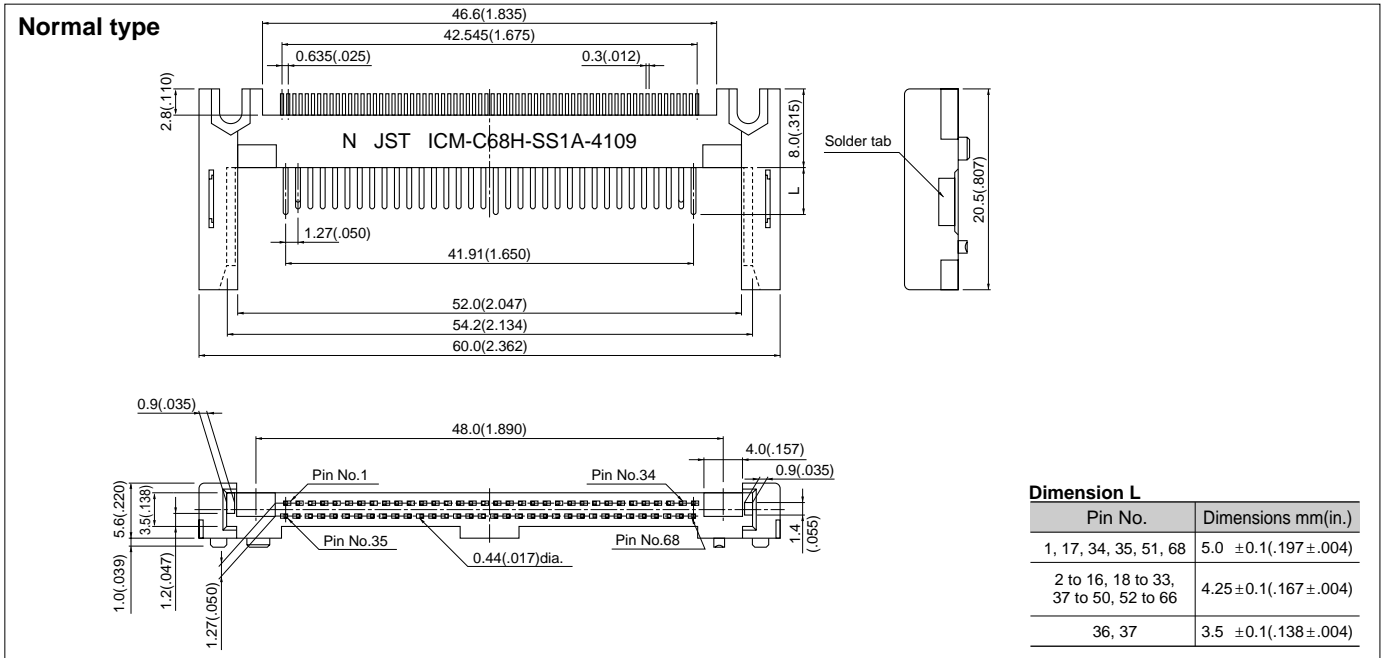
Pin No.	Dimensions mm(in.)
1, 17, 34, 35, 51, 68	5.0 ±0.1(.197 ±.004)
2 to 16, 18 to 33, 37 to 50, 52 to 66	4.25 ±0.1(.167 ±.004)
36, 37	3.5 ±0.1(.138 ±.004)

Circuits	Model No.	Q'ty / box
68	ICM-C68H-SS1A-4103	150

Material and Finish
Contact: Phosphor bronze, nickel-undercoated Mating section...Gold-plated Solder tail...Tin/lead-plated Housing: PPS, UL94V-0, natural (brown)

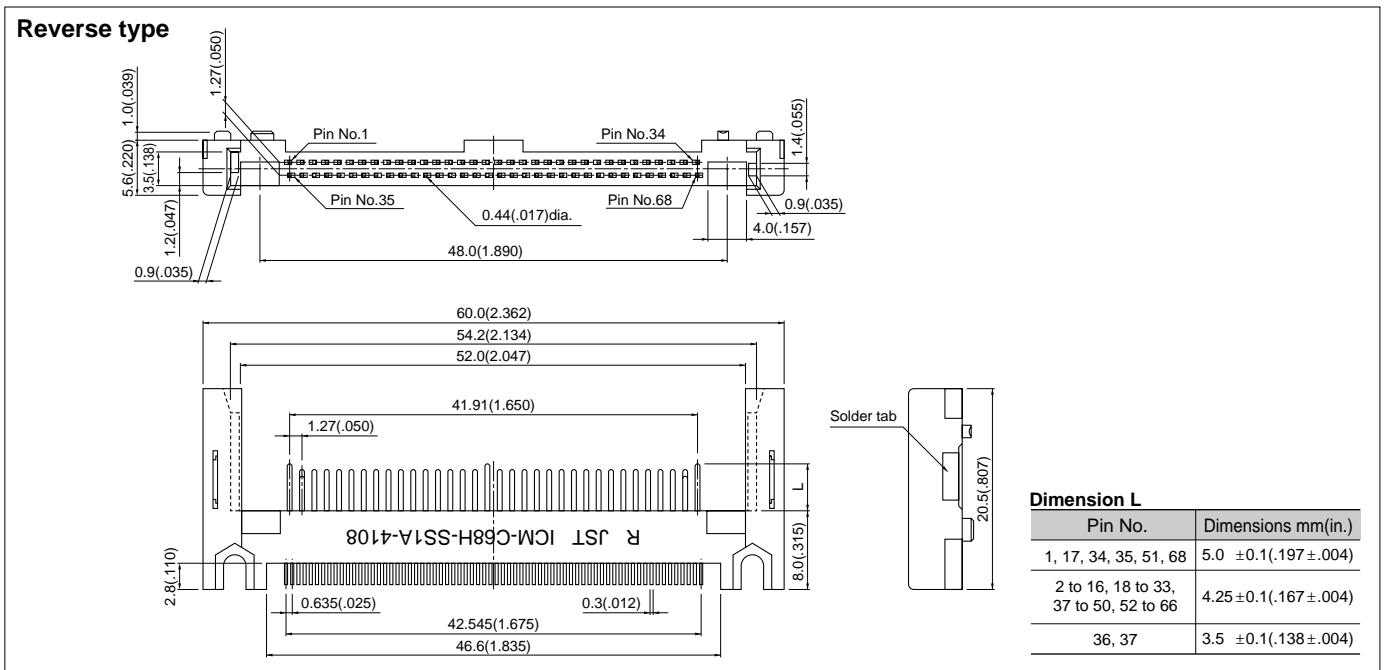
PC CARD CONNECTOR TYPE

Header/SMT type (For Type II Cards)



Circuits	Tab	Model No.	Q'ty / box
68	Without	ICM-C68H-SS1A-4109	120
	With	ICM-C68H-SS1A-4109T	

Material and Finish
Contact: Phosphor bronze, nickel-undercoated
Mating section...Gold-plated
Solder tail...Tin/lead-plated
Housing: PPS, UL94V-0, natural (brown)



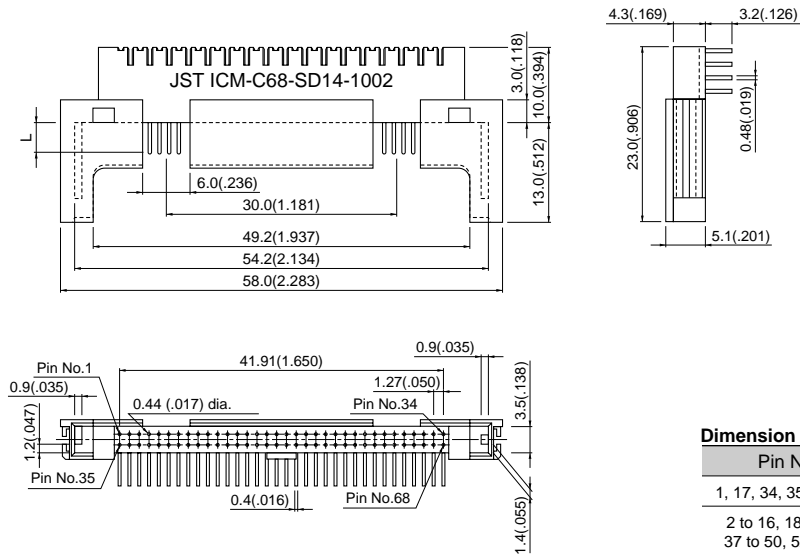
Circuits	Tab	Model No.	Q'ty / box
68	Without	ICM-C68H-SS1A-4108	120
	With	ICM-C68H-SS1A-4108T	

Material and Finish
Contact: Phosphor bronze, nickel-undercoated
Mating section...Gold-plated
Solder tail...Tin/lead-plated
Housing: PPS, UL94V-0, natural (brown)

PC CARD CONNECTOR TYPE

Header/Through-hole type (For Type II Cards)

Normal type



Dimension L

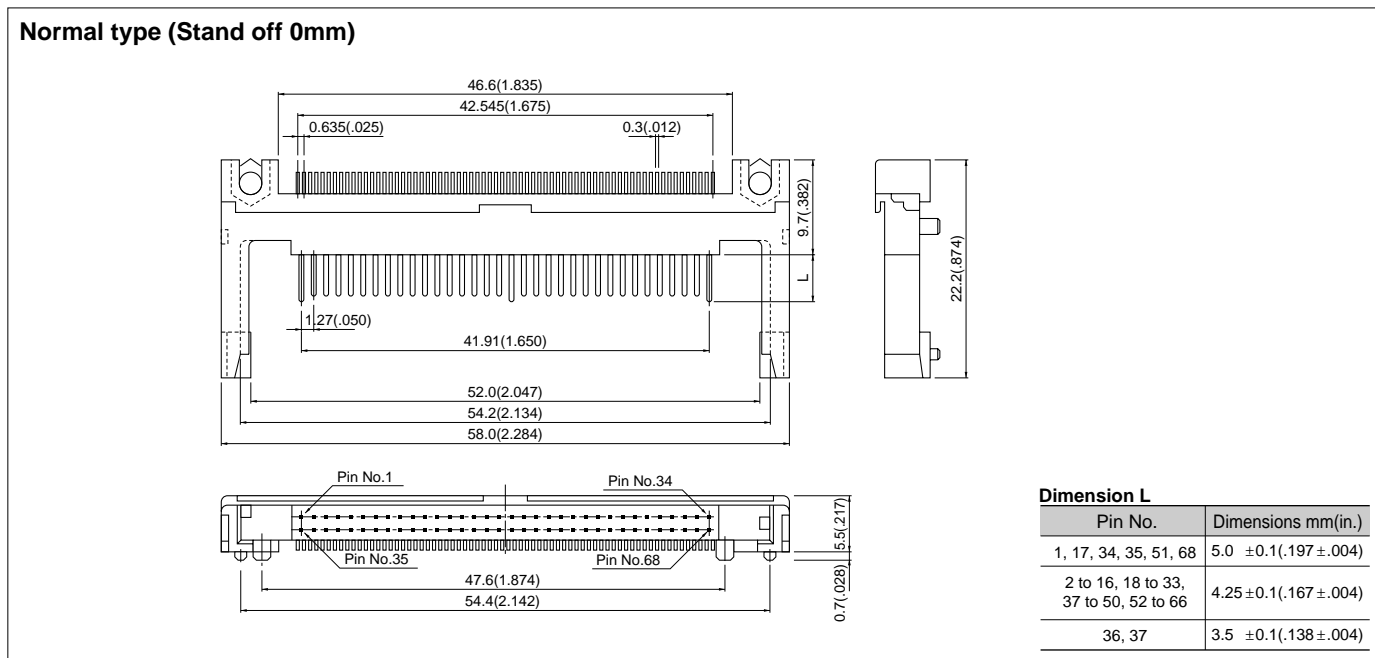
Pin No.	Dimensions mm(in.)
1, 17, 34, 35, 51, 68	5.0 ±0.1(.197±.004)
2 to 16, 18 to 33, 37 to 50, 52 to 66	4.25 ±0.1(.167±.004)
36, 37	3.5 ±0.1(.138±.004)

Circuits	Model No.	Q'ty / box
68	ICM-C68H-SD14-1002	60

Material and Finish
Contact: Phosphor bronze, nickel-undercoated
Mating section...Gold-plated
Solder tail...Tin/lead-plated
Housing: PPS, UL94V-0, black

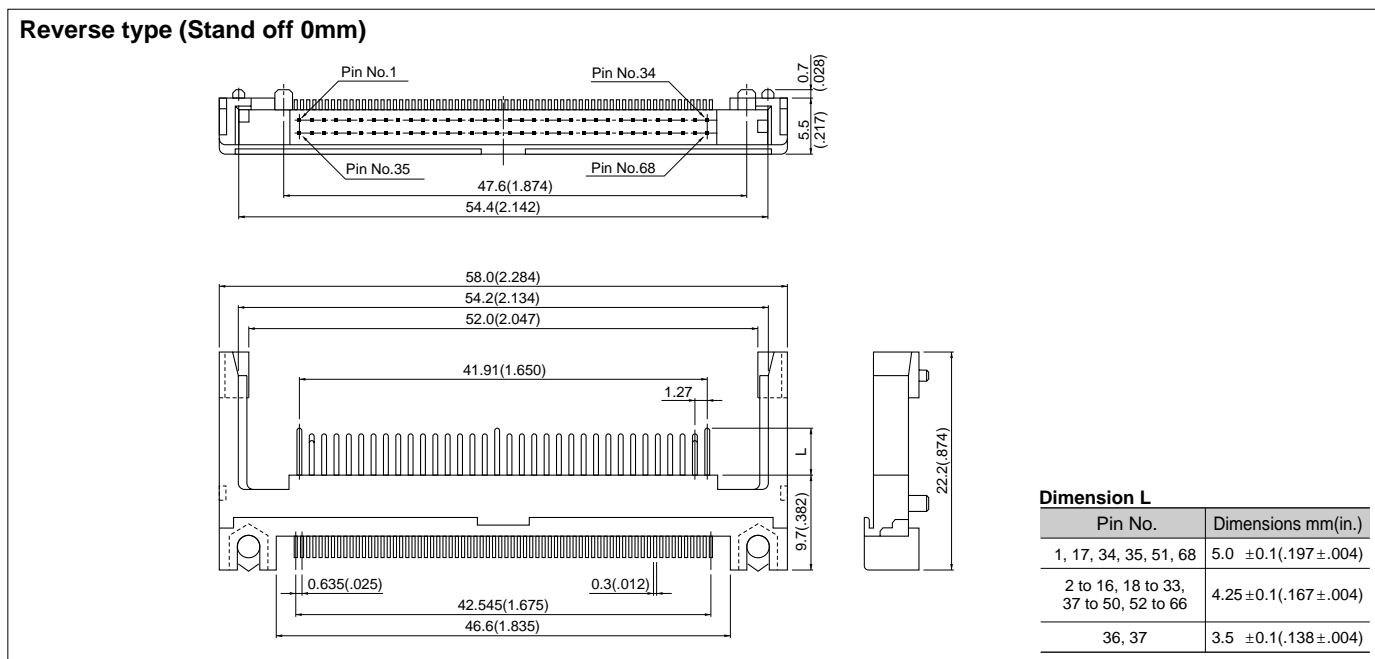
PC CARD CONNECTOR TYPE

Header/SMT type (For Type III Cards)



Circuits	Model No.	Q'ty / box
68	ICM-C68H-S112-400N1	120

Material and Finish	
Contact:	Phosphor bronze, nickel-undercoated
Mating section...	Gold-plated
Solder tail...	Tin/lead-plated
Housing:	PA6T, UL94V-0, black



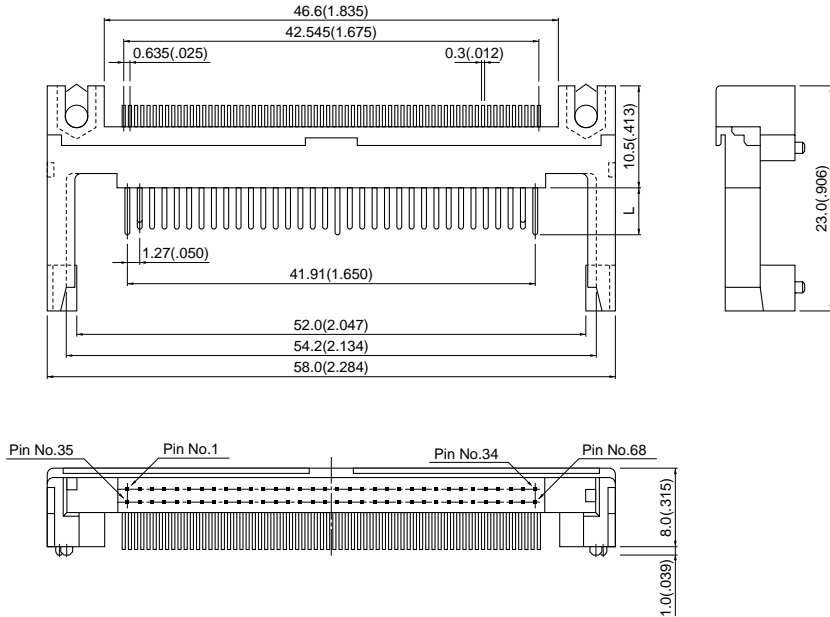
Circuits	Model No.	Q'ty / box
68	ICM-C68H-S112-400R1	120

Material and Finish	
Contact:	Phosphor bronze, nickel-undercoated
Mating section...	Gold-plated
Solder tail...	Tin/lead-plated
Housing:	PA6T, UL94V-0, black

PC CARD CONNECTOR TYPE

Header/SMT type (For Type III Cards)

Normal type (Stand off 2.5mm(.098"))



Dimension L

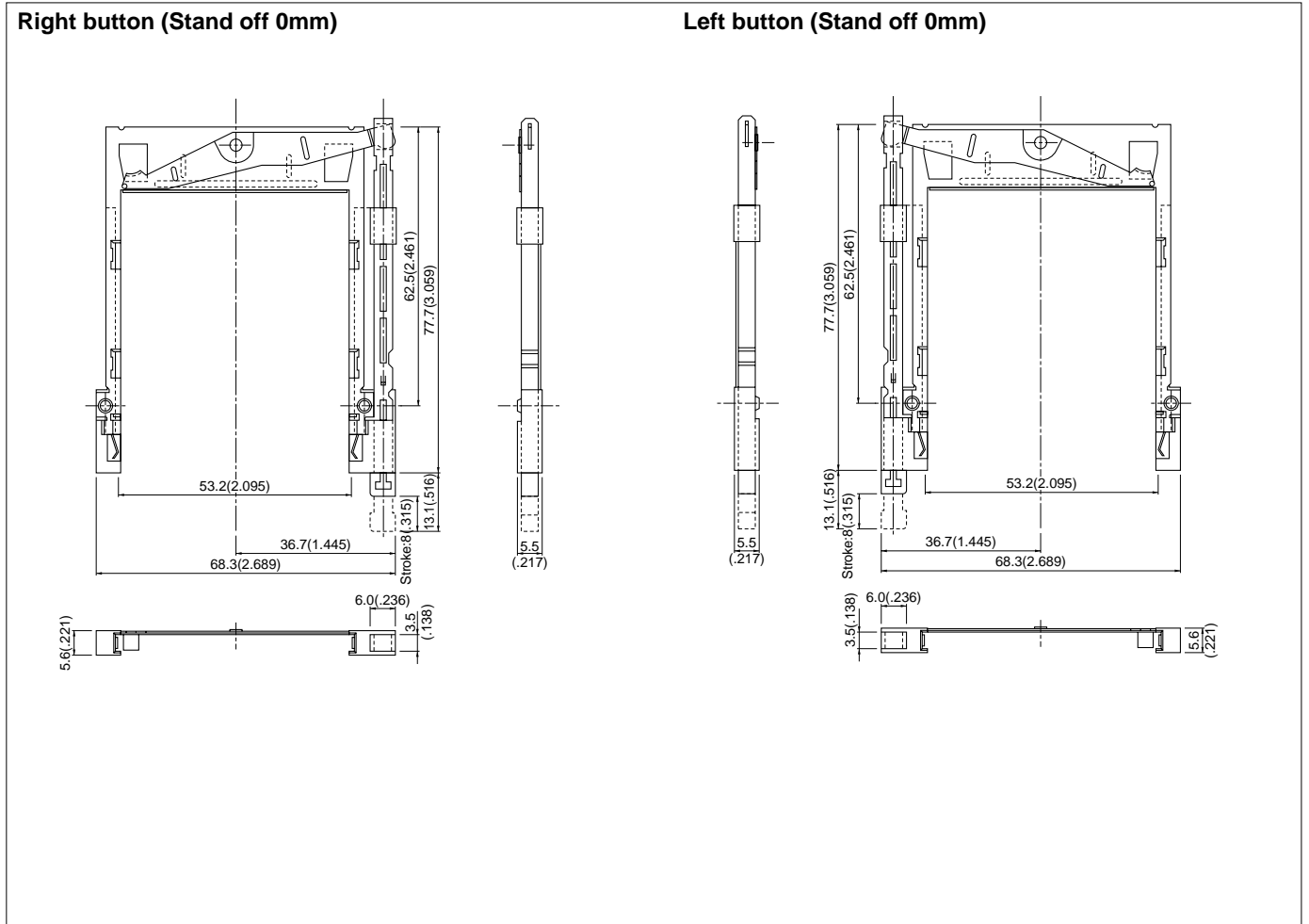
Pin No.	Dimensions min(in.)
1, 17, 34, 35, 51, 68	5.0 ±0.1(.197±.004)
2_16, 18_33, 37_50, 52_66	4.25±0.1(.167±.004)
36, 67	3.5 ±0.1(.138±.004)

Circuits	Model No.	Q'ty / box
68	ICM-C68H-S112-403N1	90

Material and Finish
Contact: Phosphor bronze, nickel-undercoated
Mating section...Gold-plated
Solder tail...Tin/lead-plated
Housing: P46T, UL94V-0,black

PC CARD CONNECTOR CTYPE

Ejector/SMT type (For Type III cards)



Right button

Button	Model No.	Applicable header	Q'ty / box
Right	ICME-C68R-300H	ICM-C68H-S112-400N1 ICM-C68H-S112-400R1	20

Material and Finish
Guide bar: PBT,UL94V-0
Frame: Stainless
Rotating arm: Stainless
Push bar: PBT,UL94V-0
Eyelect: Copper alloy

Left button

Button	Model No.	Applicable header	Q'ty / box
Left	ICME-C68L-300H	ICM-C68H-S112-400N1 ICM-C68H-S112-400R1	20

Material and Finish
Guide bar: PBT,UL94V-0
Frame: Stainless
Rotating arm: Stainless
Push bar: PBT,UL94V-0
Eyelect: Copper alloy

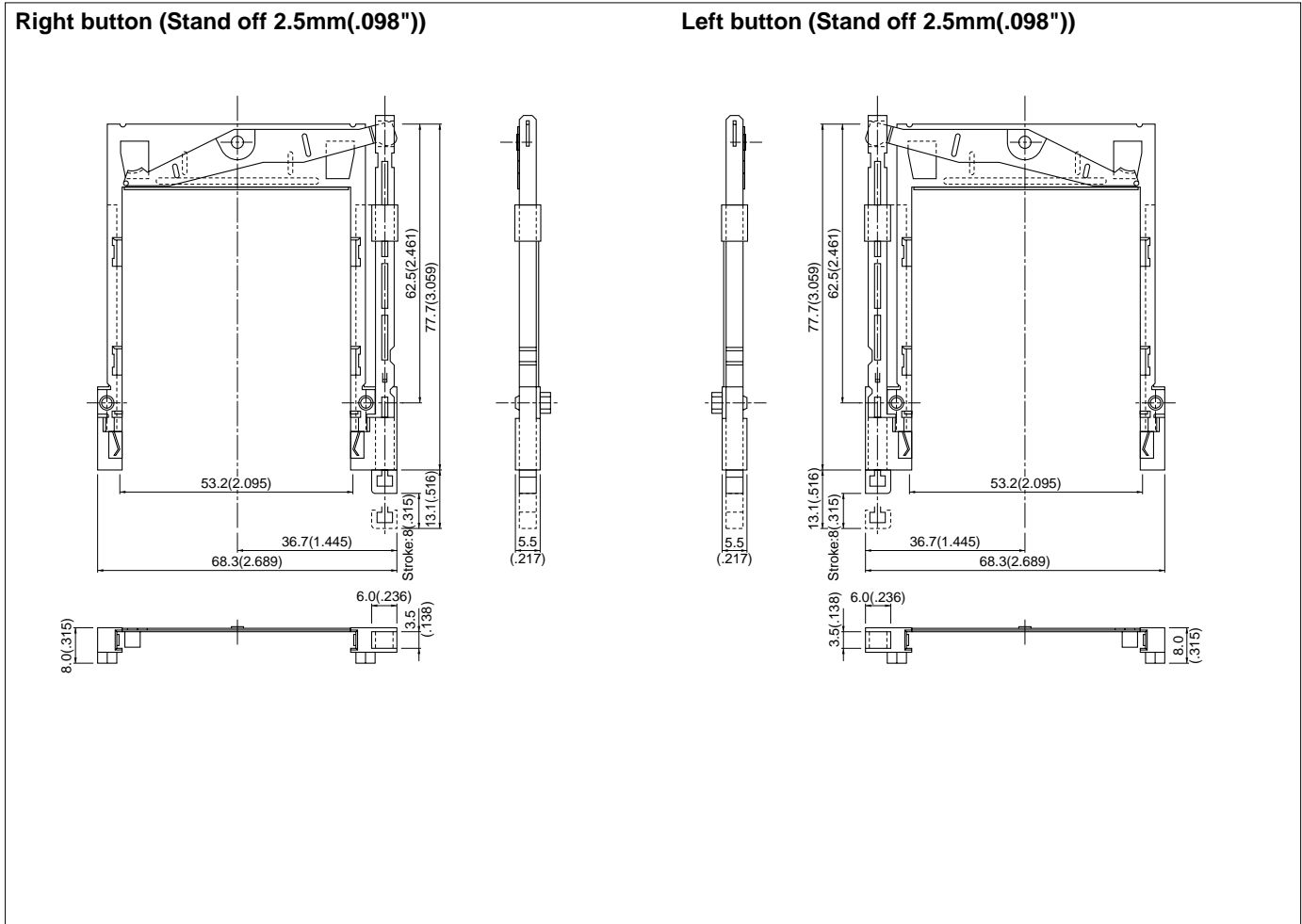


Right button

Left button

PC CARD CONNECTOR TYPE

Ejector/SMT type (For Type III cards)



Right button

Button	Model No.	Applicable header	Q'ty / box
Right	ICME-C68R-303H	ICM-C68H-S112-403N1	20

Material and Finish

Guide bar: PBT,UL94V-0
 Frame: Stainless
 Rotating arm: Stainless
 Push bar: PBT,UL94V-0
 Eyelect: Copper alloy

Left button

Button	Model No.	Applicable header	Q'ty / box
Left	ICME-C68L-303H	ICM-C68H-S112-403N1	20

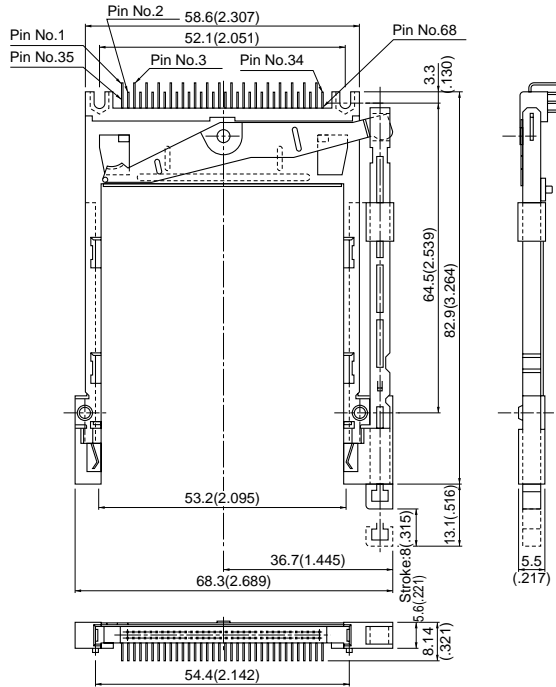
Material and Finish

Guide bar: PBT,UL94V-0
 Frame: Stainless
 Rotating arm: Stainless
 Push bar: PBT,UL94V-0
 Eyelect: Copper alloy

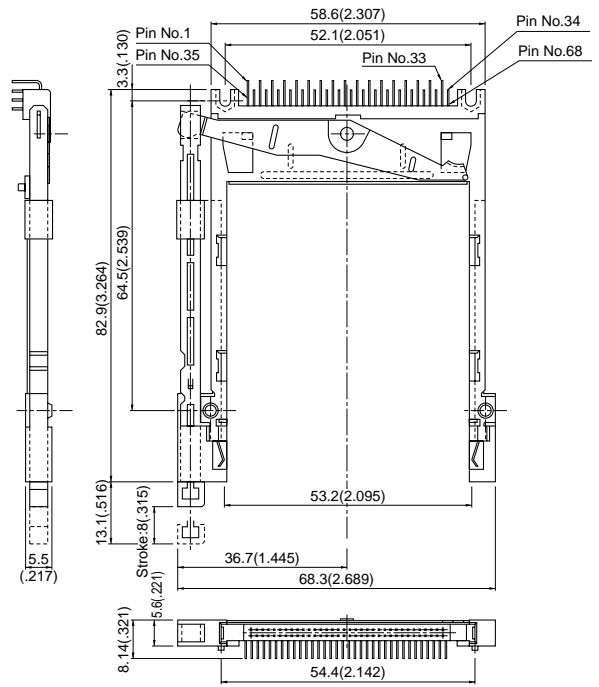
PC CARD CONNECTOR TYPE

Ejector mounted header/ Through-hole type (For Type III cards)

Right button (Stand off 0mm) Normal



Left button (Stand off 0mm) Normal



Right button

Button	Model No.	Q'ty / box
Right	ICME68H-R0-D1120NH	-

Material and Finish		
Contact:	Phosphor bronze, nickel-undercoated	Guide bar: PBT, UL94V-0
	Mating section...Gold-plated	Frame: Stainless
	Solder tail...Tin/lead-plated	Rotating arm: Stainless
Housing:	PBT, UL94V-0	Push bar: PBT, UL94V-0
		Eyelect: Copper alloy

Left button

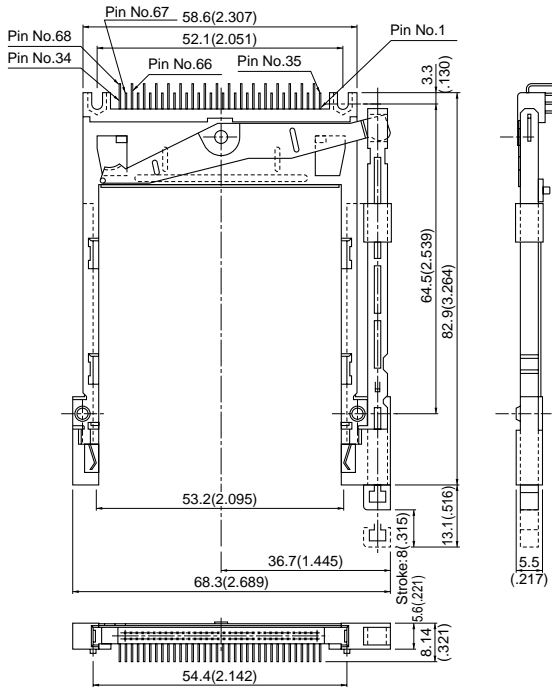
Button	Model No.	Q'ty / box
Left	ICME68H-L0-D1120NH	-

Material and Finish		
Contact:	Phosphor bronze, nickel-undercoated	Guide bar: PBT, UL94V-0
	Mating section...Gold-plated	Frame: Stainless
	Solder tail...Tin/lead-plated	Rotating arm: Stainless
Housing:	PBT, UL94V-0	Push bar: PBT, UL94V-0
		Eyelect: Copper alloy

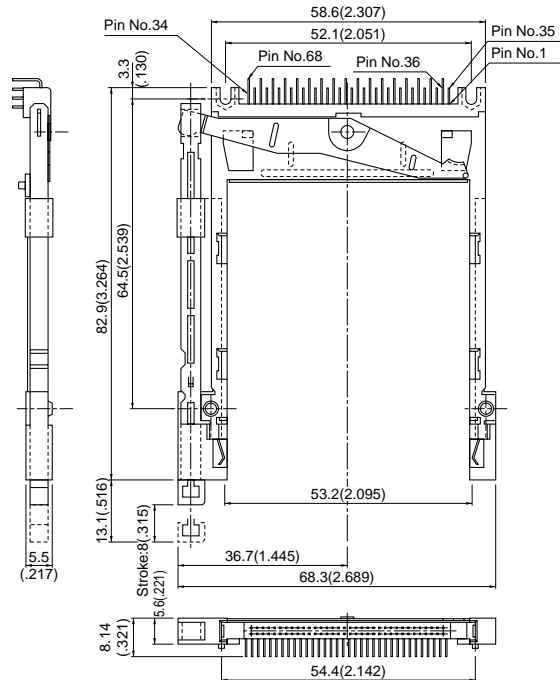
PC CARD CONNECTOR TYPE

Ejector mounted header/Through-hole type (For Type III cards)

Right button (Stand off 0mm) Reverse



Left button (Stand off 0mm) Reverse



Right button

Button	Model No.	Q'ty / box
Right	ICME68H-R0-D1120RH	-

Material and Finish	
Contact:	Phosphor bronze, nickel-undercoated Mating section...Gold-plated Solder tail...Tin/lead-plated
Housing:	PBT, UL94V-0
Guide bar:	PBT, UL94V-0
Frame:	Stainless
Rotating arm:	Stainless
Push bar:	PBT, UL94V-0
Eyelect:	Copper alloy

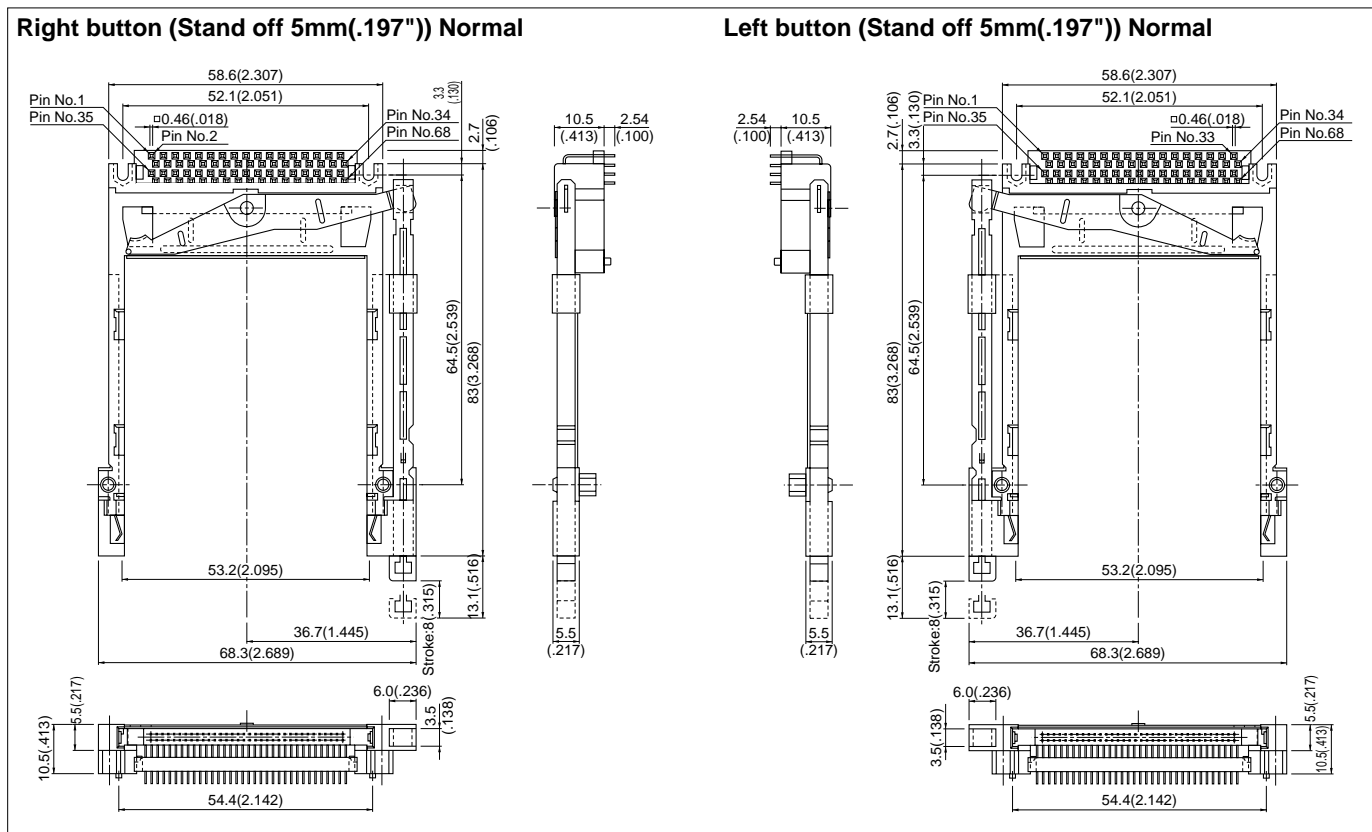
Left button

Button	Model No.	Q'ty / box
Left	ICME68H-L0-D1120RH	-

Material and Finish	
Contact:	Phosphor bronze, nickel-undercoated Mating section...Gold-plated Solder tail...Tin/lead-plated
Housing:	PBT, UL94V-0
Guide bar:	PBT, UL94V-0
Frame:	Stainless
Rotating arm:	Stainless
Push bar:	PBT, UL94V-0
Eyelect:	Copper alloy

PC CARD CONNECTOR TYPE

Ejector mounted header/Through-hole type (For Type III cards)



Right button

Button	Model No.	Q'ty / box
Right	ICME68H-R0-D1121NH	-

Material and Finish		
Contact:	Phosphor bronze, nickel-undercoated	Guide bar: PBT,UL94V-0
Mating section...	Gold-plated	Frame: Stainless
Solder tail...	Tin/lead-plated	Rotating arm: Stainless
Housing:	PBT, UL94V-0	Push bar: PBT,UL94V-0
Locator:	PBT, UL94V-0	Eyelect: Copper alloy

Left button

Button	Model No.	Q'ty / box
Left	ICME68H-L0-D1121NH	-

Material and Finish		
Contact:	Phosphor bronze, nickel-undercoated	Guide bar: PBT,UL94V-0
Mating section...	Gold-plated	Frame: Stainless
Solder tail...	Tin/lead-plated	Rotating arm: Stainless
Housing:	PBT, UL94V-0	Push bar: PBT,UL94V-0
Locator:	PBT, UL94V-0	Eyelect: Copper alloy

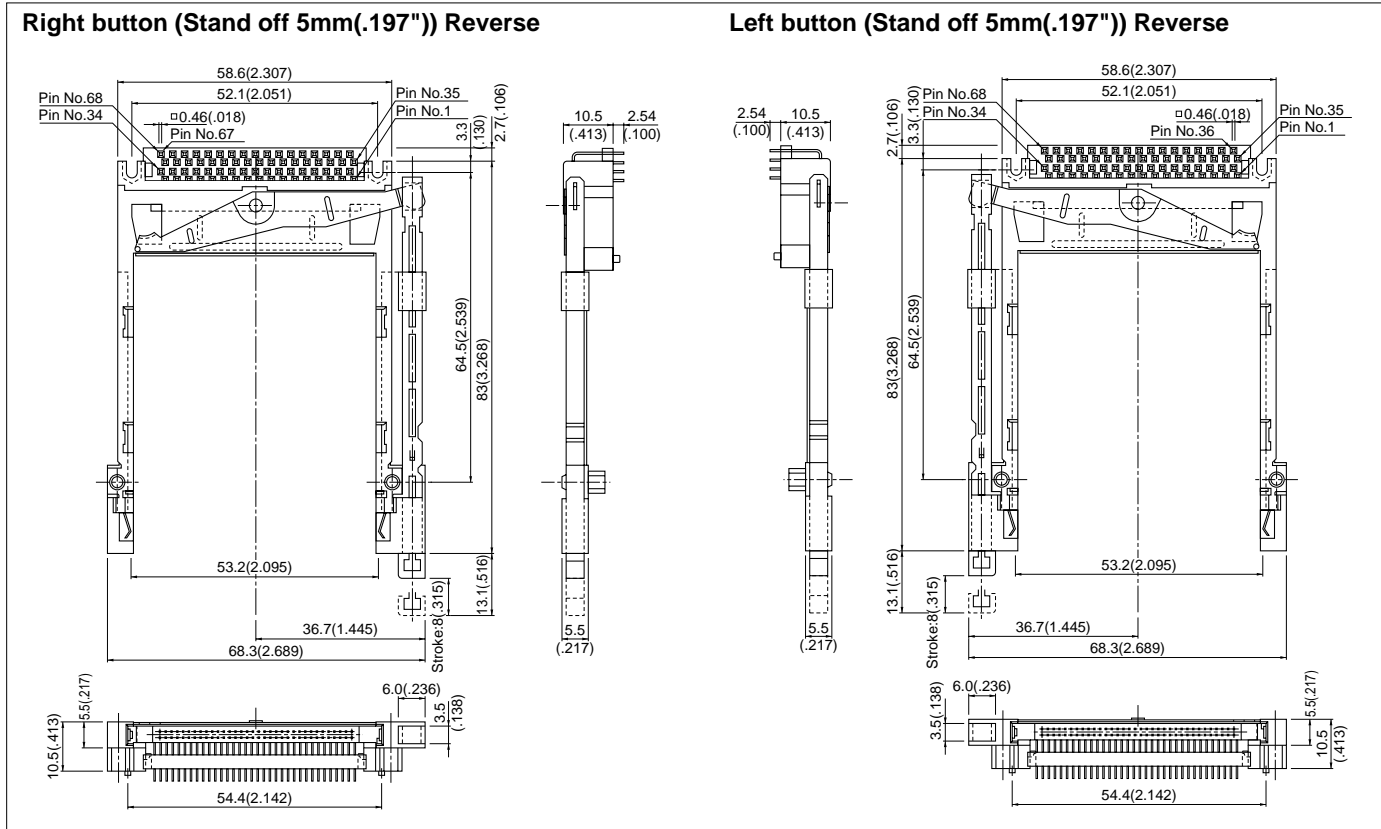


Right button stand off 5mm(.197")
Normal

Left button stand off 5mm(.197")
Normal

PC CARD CONNECTOR TYPE

Ejector mounted header/ Through-hole type (For Type III cards)



Right button

Button	Model No.	Q'ty / box
Right	ICME68H-R0-D1121RH	-

Left button

Button	Model No.	Q'ty / box
Left	ICME68H-L0-D1121RH	-

Material and Finish

Contact: Phosphor bronze, nickel-undercoated	Guide bar: PBT,UL94V-0
Mating section...Gold-plated	Frame: Stainless
Solder tail...Tin/lead-plated	Rotating arm: Stainless
Housing: PBT, UL94V-0	Push bar: PBT,UL94V-0
Locator: PBT, UL94V-0	Eyelect: Copper alloy

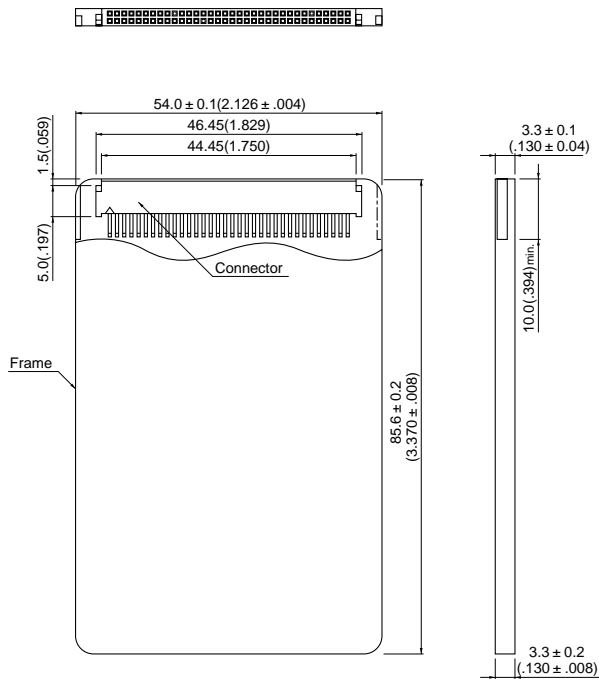
Material and Finish

Contact: Phosphor bronze, nickel-undercoated	Guide bar: PBT,UL94V-0
Mating section...Gold-plated	Frame: Stainless
Solder tail...Tin/lead-plated	Rotating arm: Stainless
Housing: PBT, UL94V-0	Push bar: PBT,UL94V-0
	Eyelect: Copper alloy

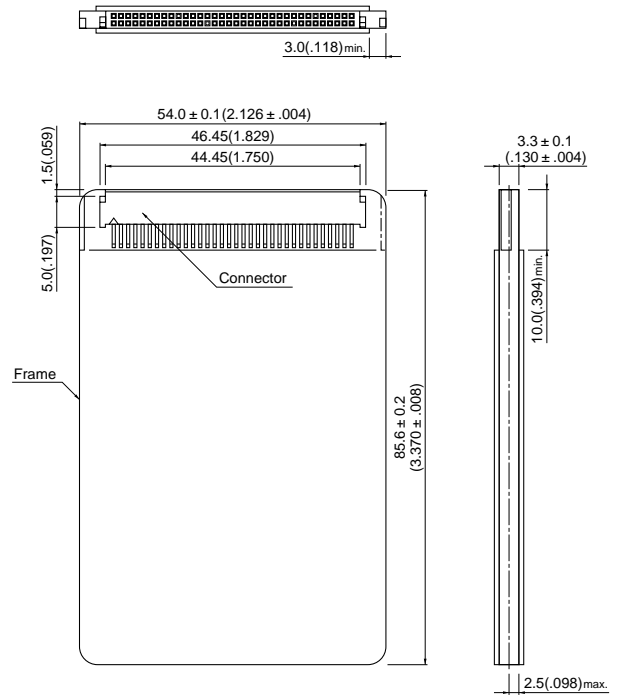
PC CARD CONNECTOR C TYPE

Typical dimensions of PC card with PC card connector C type
(for reference)

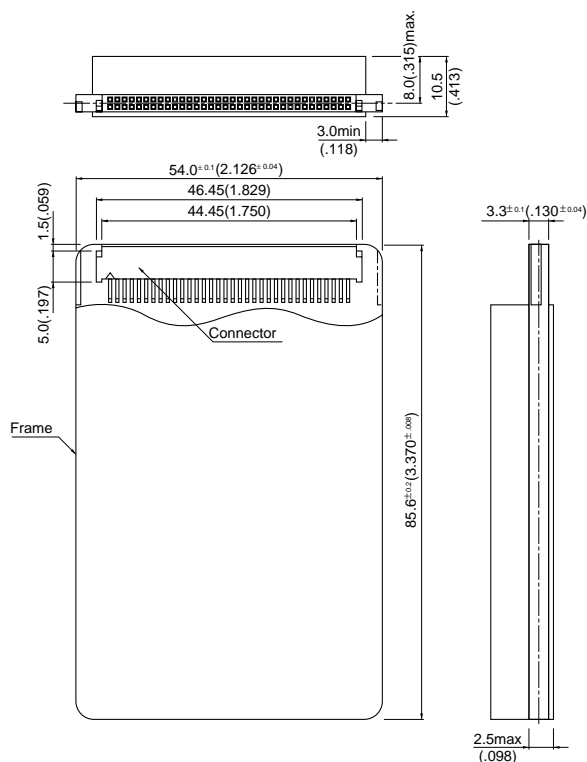
For Type I Cards



For Type II Cards



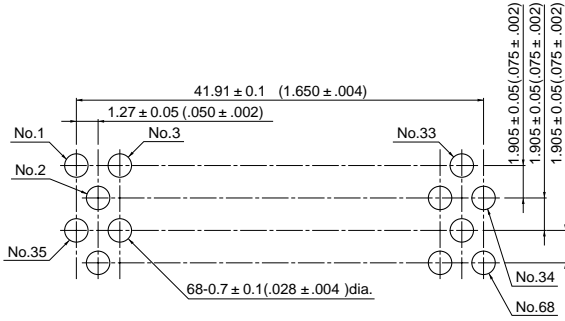
For Type III Cards



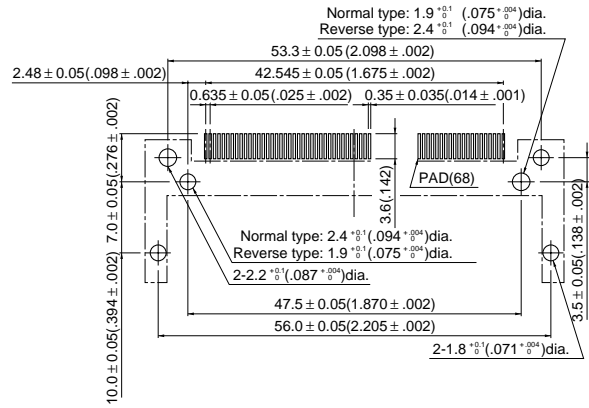
PC CARD CONNECTOR TYPE

PC board layout (viewed from component side)

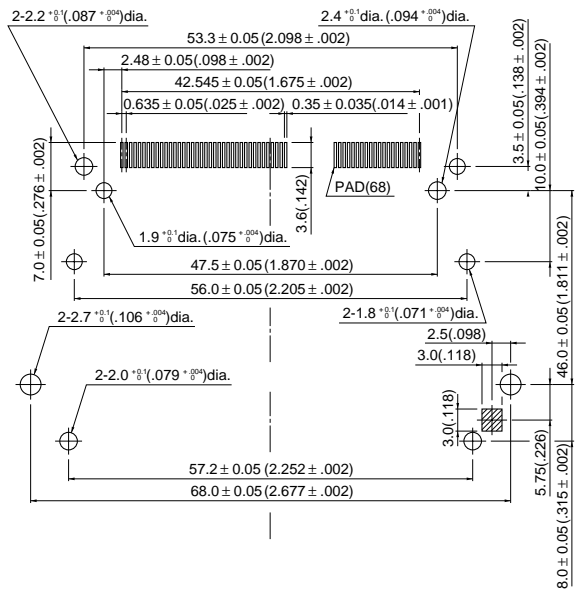
Header/Through-hole type (For Type I, II cards)



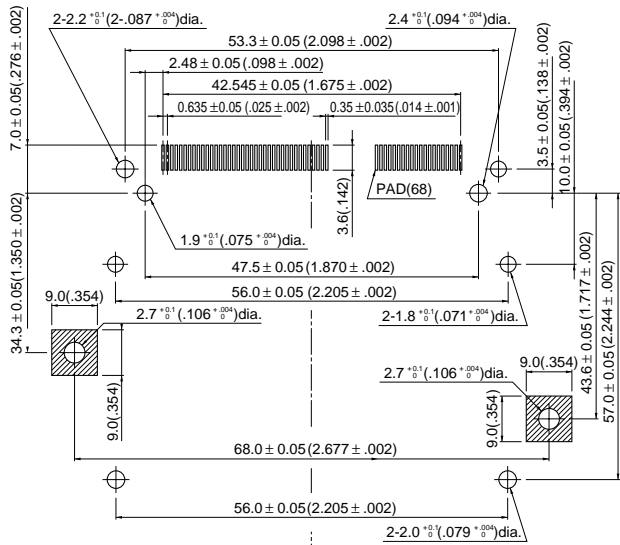
Header/SMT type (For Type I, II cards) (Refer to Note 3 below)



Ejector (For Type I Cards) (Refer to Note 4 below)



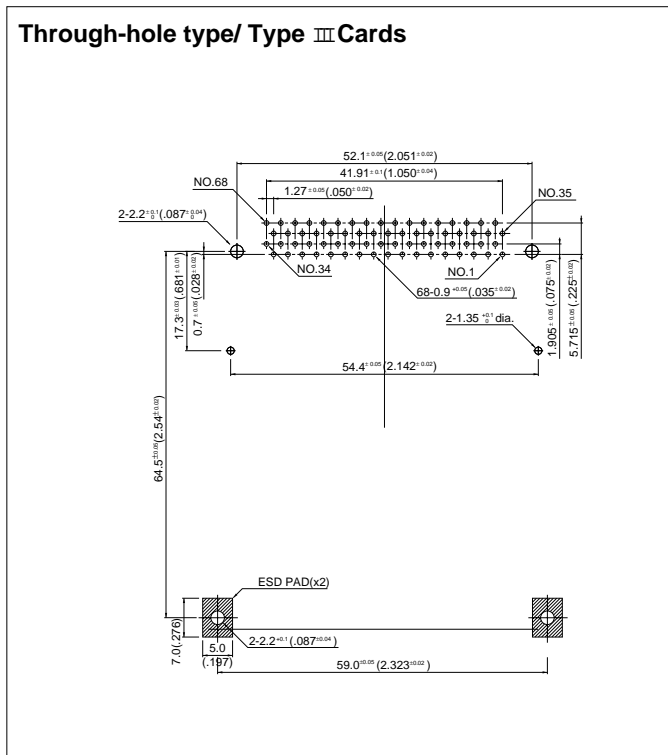
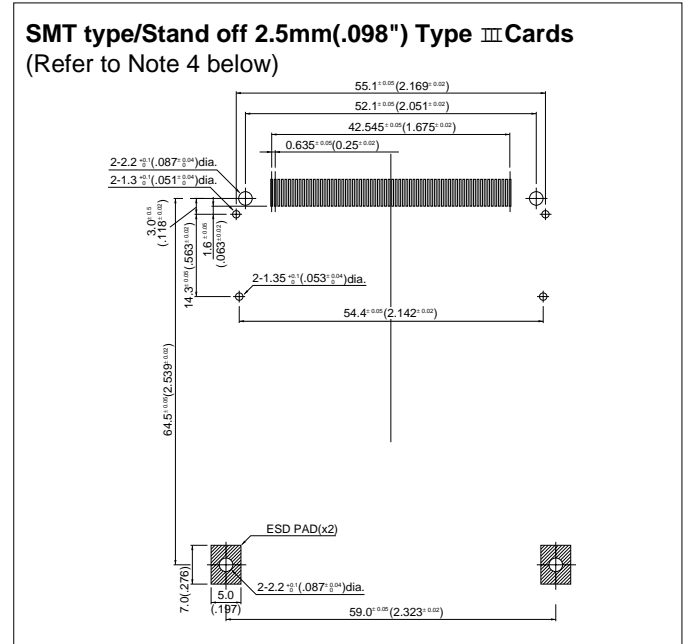
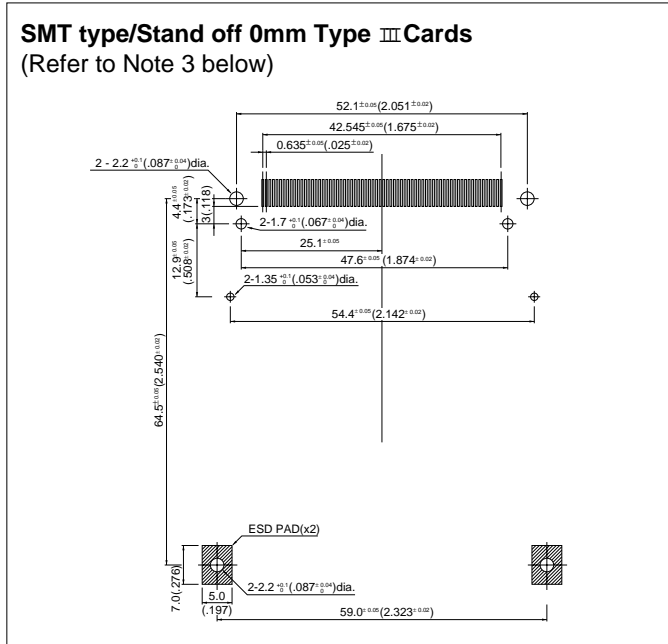
Ejector (For Type II Cards) (Refer to Note 5 below)



- Note:
- The dimensions above should serve as a guideline. Contact JST for details.
 - Tolerances are non-cumulative: $\pm 0.05\text{mm}$ ($\pm .002''$) for all centers.
 - This layout is applied to the headers Model Nos. ICM-C68H-SS1A-4103/-4104/-4108/-4109. Regarding the layout for ICM-C68H-SS1A-4108T/-4109T, contact JST.
 - This layout is applied to the header Model No. ICM-C68H-SS1A-4103. Regarding the layout for ICM-C68H-SS1A-4104, contact JST.
 - This layout is applied to the header Model No. ICM-C68H-SS1A-4108. Regarding the layout for ICM-C68H-SS1A-4108T/-4109/-4109T, contact JST.

PC CARD CONNECTOR TYPE

PC board layout (viewed from component side)



Note:

1. The dimensions above should serve as a guideline. Contact JST for details.
2. Tolerances are non-cumulative: $\pm 0.05\text{mm}$ ($\pm 0.002''$) for all centers.
3. This layout is applied to the headers Model Nos. ICM-C68H-S112-400N1/400R1 and to ejectors Model Nos. ICME-C68L-300H/C68R-300H.
4. This layout is applied to the header Model No. ICM-C68H-S112-403N1 and to ejectors Model Nos. ICME-C68L-303H/C68R-303H.
5. This layout is applied to the ejector mounted headers Model Nos. ICME-68H-R0-D1120RH/L0-D1120RH/R0-P1121RH/L0-D1121RH.