



## DC-DC CONVERTER CONTROL CIRCUITS

- OUTPUT SWITCH CURRENT IN EXCESS OF 1.5A
- 2% REFERENCE ACCURACY
- LOW QUIESCENT CURRENT: 2.5mA (TYP.)
- OPERATING FROM 3V TO 40V
- FREQUENCY OPERATION TO 100KHz
- ACTIVE CURRENT LIMITING

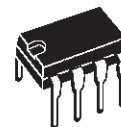
### DESCRIPTION

The MC34063A series is a monolithic control circuit delivering the main functions for DC-DC voltage converting.

The device contains an internal temperature compensated reference, comparator, duty cycle controlled oscillator with an active current limit circuit, driver and high current output switch.

Output voltage is adjustable through two external resistors with a 2% reference accuracy.

Employing a minimum number of external components the MC34063A devices series is designed for Step-Down, Step-Up and Voltage-Inverting applications.

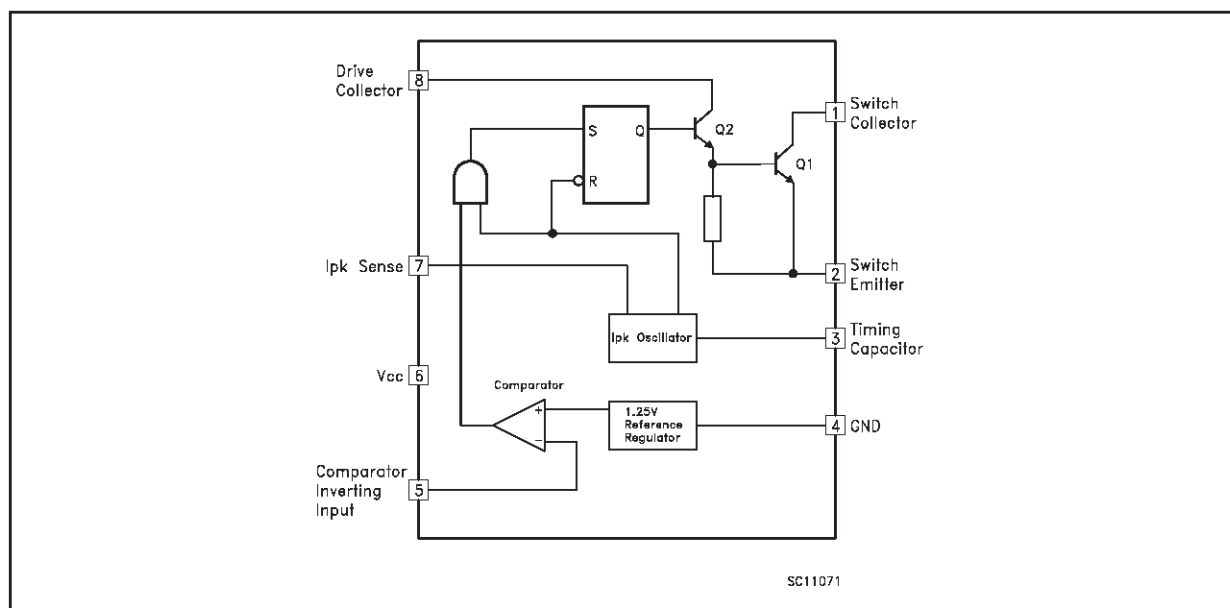


DIP-8



SO-8

### BLOCK DIAGRAM



# MC34063A

## ABSOLUTE MAXIMUM RATINGS

Symbol	Parameter	Value	Unit
$V_{CC}$	Power Supply Voltage	50	V
$V_{ir}$	Comparator Input Voltage Range	-0.3 to 40	V
$V_{SWC}$	Switch Collector Voltage	40	V
$V_{SWE}$	Switch Emitter Voltage ( $V_{SWC} = 40V$ )	40	V
$V_{CE}$	Switch Emitter to Collector Voltage	40	V
$V_{dc}$	Driver Collector Voltage	40	V
$I_{dc}$	Driver Collector Current	100	mA
$I_{SW}$	Switch Current	1.5	A
$P_{tot}$	Power Dissipation at $T_{amb} = 25\text{ }^{\circ}\text{C}$ (for <b>Plastic Package</b> ) (for <b>SOIC Package</b> )	1.25 0.625	W
$T_{op}$	Operating Ambient Temperature Range (for <b>AC SERIES</b> ) (for <b>AB SERIES</b> )	0 to 70 - 40 to 85	$^{\circ}\text{C}$ $^{\circ}\text{C}$
$T_{stg}$	Storage Temperature Range	- 40 to 150	$^{\circ}\text{C}$

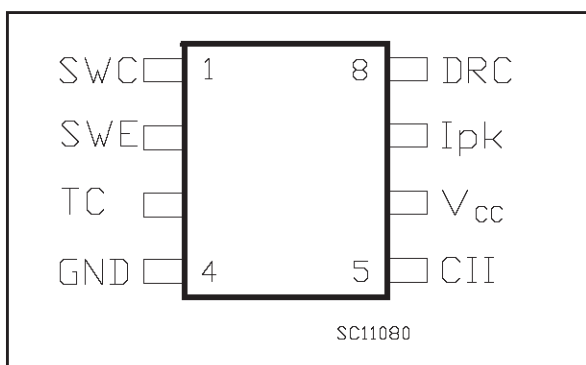
Absolute Maximum Rating are those values beyond which damage to the device may occur. Functional operation under these condition is not implied.

## THERMAL DATA

Symbol	Parameter	DIP-8	SO-8	Unit
$R_{thj-amb}$	Thermal Resistance Junction-ambient (*) Max	100	160	$^{\circ}\text{C}/\text{W}$

(\*) This value depends from thermal design of PCB on which the device is mounted.

## CONNECTION DIAGRAM (top view)



## PIN CONNECTIONS

Pin No	Symbol	Name and Function
1	SWC	Switch Collector
2	SWE	Switch Emitter
3	TC	Timing Capacitor
4	GND	Ground
5	CII	Comparator Inverting Input
6	$V_{CC}$	Voltage Supply
7	$I_{pk}$	$I_{pk}$ Sense
8	DRC	Voltage Driver Collector

## ORDERING NUMBERS

Type	DIP-8	SO-8	SO-8 (tape & reel)
MC34063AB	MC34063ABN	MC34063ABD	MC34063ABD-TR
MC34063AC	MC34063ACN	MC34063ACD	MC34063ACD-TR

**ELECTRICAL CHARACTERISTICS** (Refer to the test circuits,  $V_{CC} = 5V$ ,  $T_a = T_{LOW}$  to  $T_{HIGH}$ , unless otherwise specified, see note 2)

#### OSCILLATOR

Symbol	Parameter	Test Conditions	Min.	Typ.	Max.	Unit
$f_{OSC}$	Frequency	$V_{pin5} = 0V$ $C_T = 1nF$ $T_a = 25^\circ C$	24	33	42	KHz
$I_{chg}$	Charge Current	$V_{CC} = 5$ to $40V$ $T_a = 25^\circ C$	24	33	42	$\mu A$
$I_{dischg}$	Discharge Current	$V_{CC} = 5$ to $40V$ $T_a = 25^\circ C$	140	200	260	$\mu A$
$I_{dischg}/I_{chg}$	Discharge to Charge Current Ratio	Pin 7 = $V_{CC}$ $T_a = 25^\circ C$	5.2	6.2	7.5	
$V_{ipk(sense)}$	Current Limit Sense Voltage	$I_{chg} = I_{dischg}$ $T_a = 25^\circ C$	250	300	350	mV

#### OUTPUT SWITCH

Symbol	Parameter	Test Conditions	Min.	Typ.	Max.	Unit
$V_{CE(sat)}$	Saturation Voltage, Darlington Connection	$I_{SW} = 1A$ Pins 1, 8 connected		1	1.3	V
$V_{CE(sat)}$	Saturation Voltage	$I_{SW} = 1A$ $R_{pin8} = 82\Omega$ to $V_{CC}$ , Forced $\beta \sim 20$		0.45	0.7	V
$h_{FE}$	DC Current Gain	$I_{SW} = 1A$ $V_{CE} = 5V$ $T_a = 25^\circ C$	50	120		
$I_{C(off)}$	Collector Off-State Current	$V_{CE} = 40V$		0.01	100	$\mu A$

#### COMPARATOR

Symbol	Parameter	Test Conditions	Min.	Typ.	Max.	Unit
$V_{th}$	Threshold Voltage	$T_a = 25^\circ C$ $T_a = T_{LOW}$ to $T_{HIGH}$	1.225 1.21	1.25	1.275 1.29	V V
$Reg_{line}$	Threshold Voltage Line Regulation	$V_{CC} = 3$ to $40V$		1	5	mV
$I_{IB}$	Input Bias Current	$V_{IN} = 0V$		-5	-400	nA

#### TOTAL DEVICE

Symbol	Parameter	Test Conditions	Min.	Typ.	Max.	Unit
$I_{CC}$	Supply Current	$V_{CC} = 5$ to $40V$ $C_T = 1nF$ Pin 7 = $V_{CC}$ $V_{pin5} > V_{th}$ Pin 2 = GND Remaining pins open		2.5	4	mA

#### NOTES:

1) Maximum package power dissipation limit must be observed.

2)  $T_{LOW} = 0^\circ C$ ,  $T_{HIGH} = 70^\circ C$  (AC series);  $T_{LOW} = -40^\circ C$ ,  $T_{HIGH} = 85^\circ C$  (AB series).

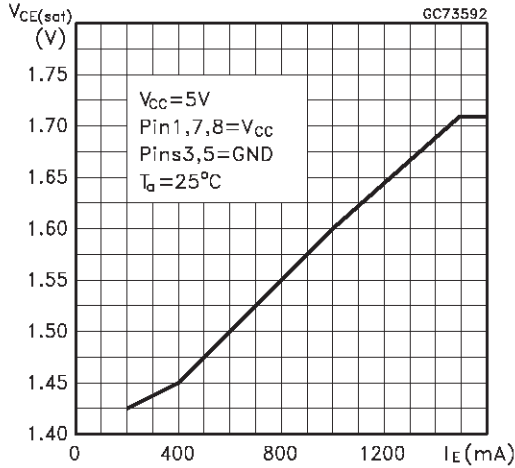
3) If Darlington configuration is not used, care must be taken to avoid deep saturation of output switch. The resulting switch-off time may be adversely affected. In a Darlington configuration the following output driver condition is suggested:

Forced  $\beta$  of output current switch =  $I_{COUTPUT}/(I_{CDRIVER} - 1mA^*) \geq 10$

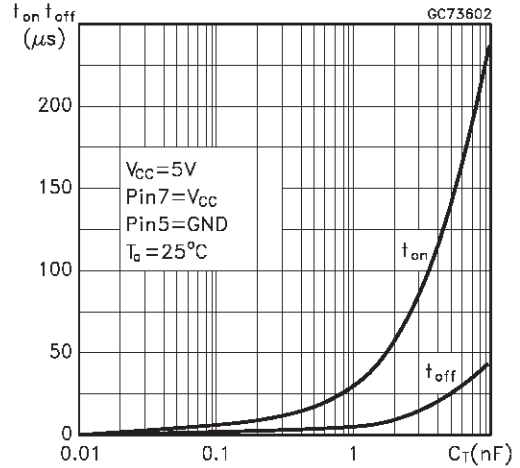
\* Current less due to a built in  $1K\Omega$  antileakage resistor.

**TYPICAL ELECTRICAL CHARACTERISTICS**

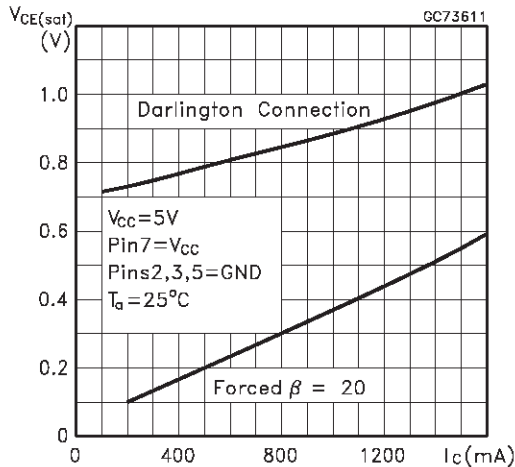
Emitter Follower Configuration Output Saturation Voltage vs Emitter Current



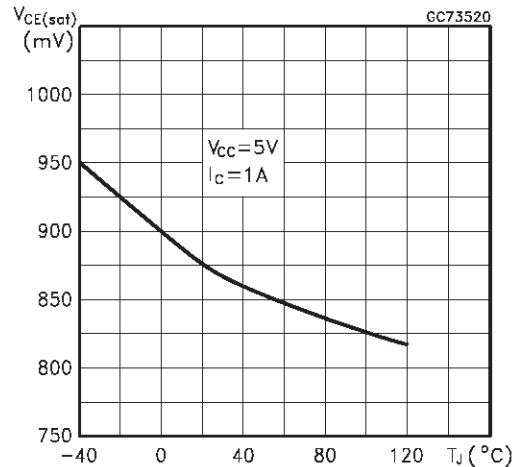
Output Switch ON-OFF Time vs Oscillator Timing Capacitor



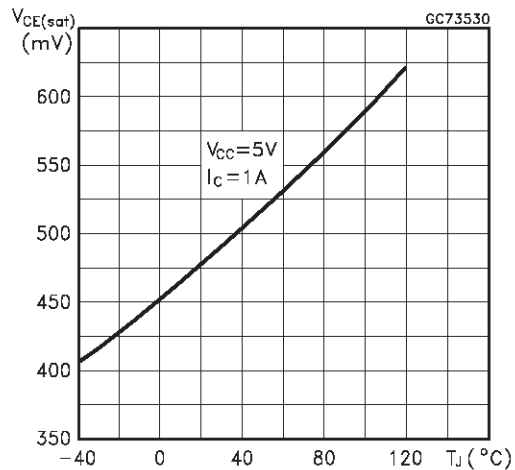
Common Emitter Configuration Output Switch Saturation Voltage vs Collector Current



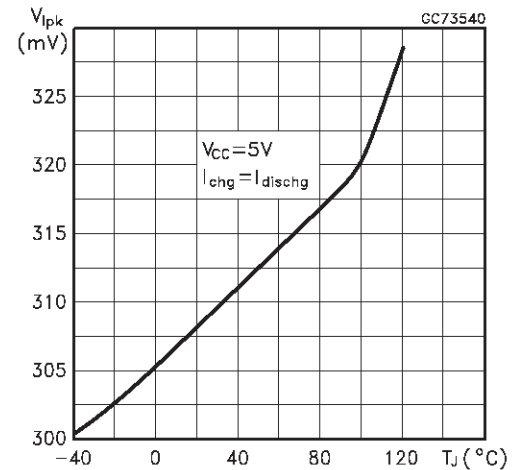
Darlington Configuration Collector Emitter Saturation Voltage ( $V_{CE(sat)}$ ) vs Temperature



Power Collector Emitter Saturation Voltage ( $V_{CE(sat)}$ ) vs Temperature

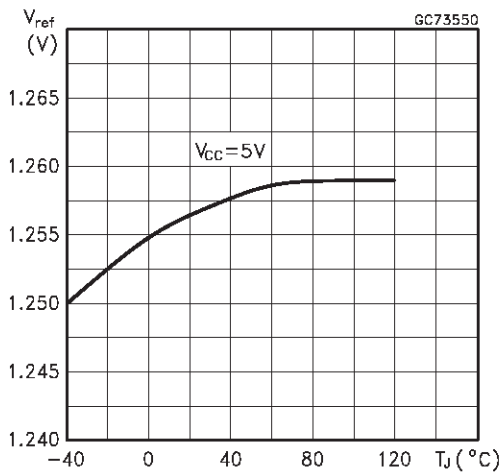


Current Limit Sense Voltage ( $V_{ipk}$ ) vs Temperature

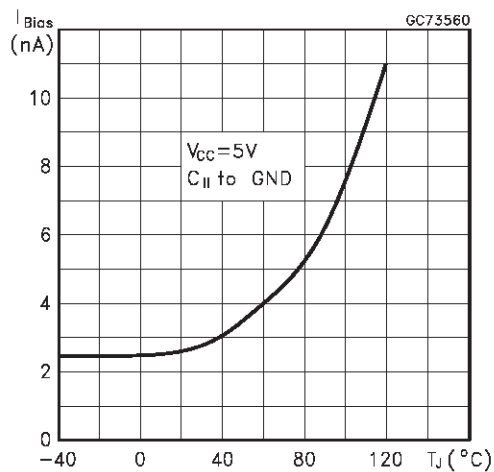


TYPICAL ELECTRICAL CHARACTERISTICS (Continued)

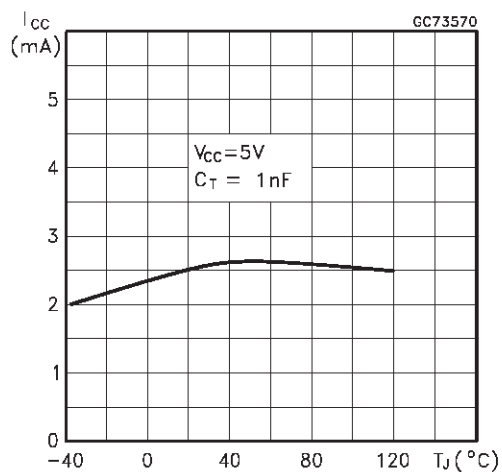
Reference Voltage vs Temperature



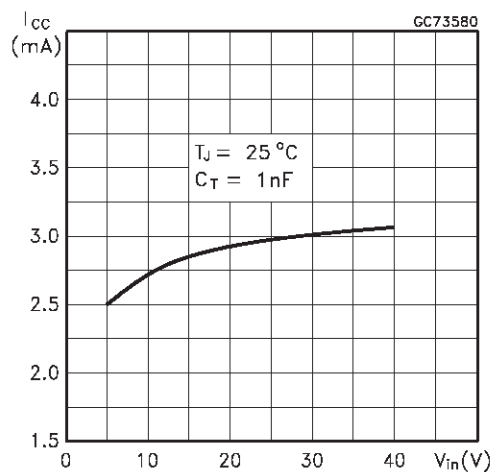
Bias Current vs Temperature



Supply Current vs Temperature



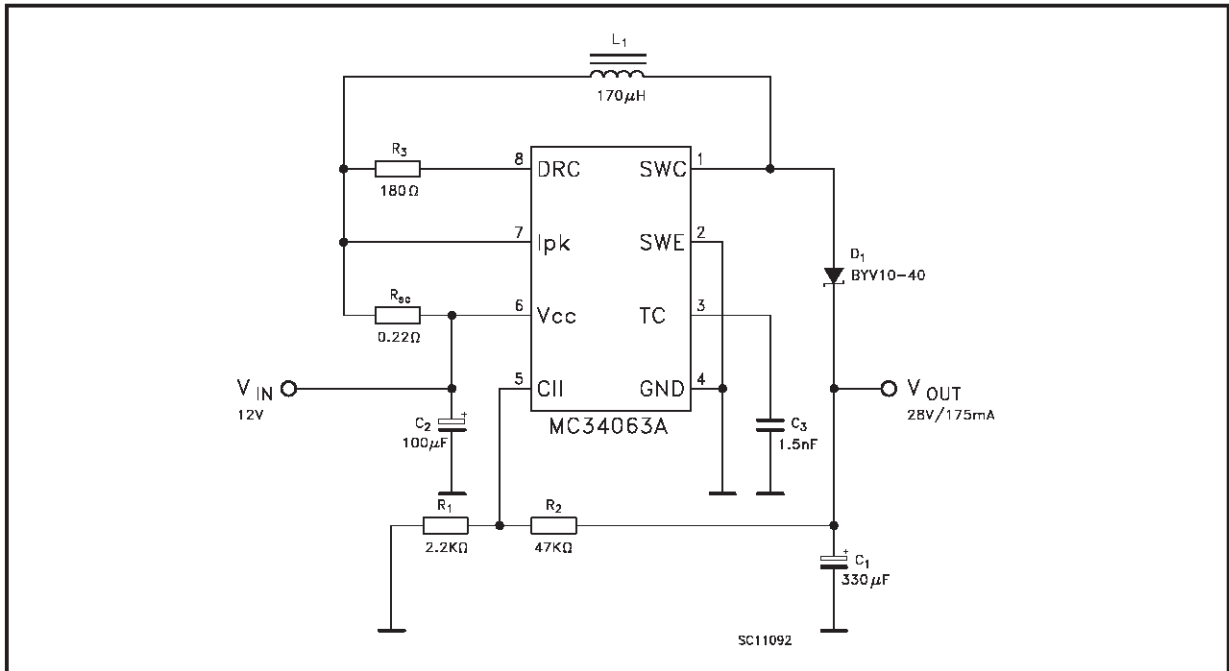
Supply Current vs Input Voltage



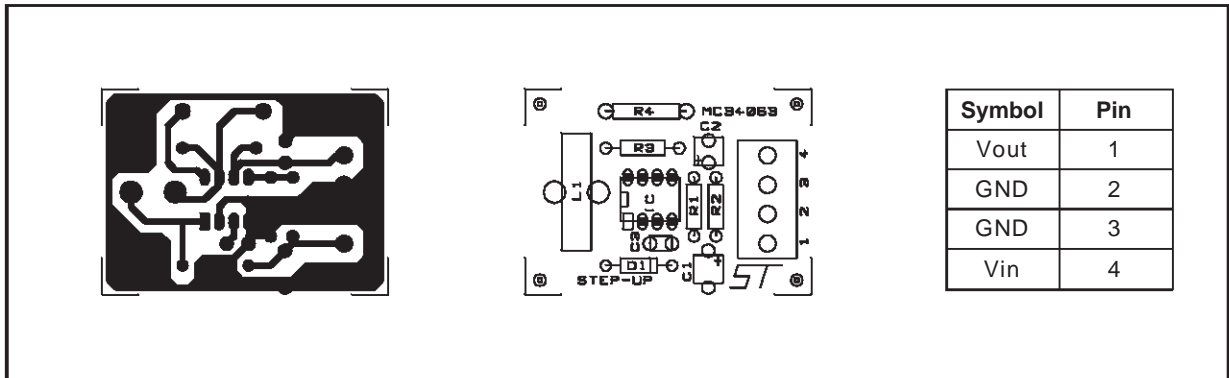
# MC34063A

## TYPICAL APPLICATION CIRCUIT

### Step-Up Converter



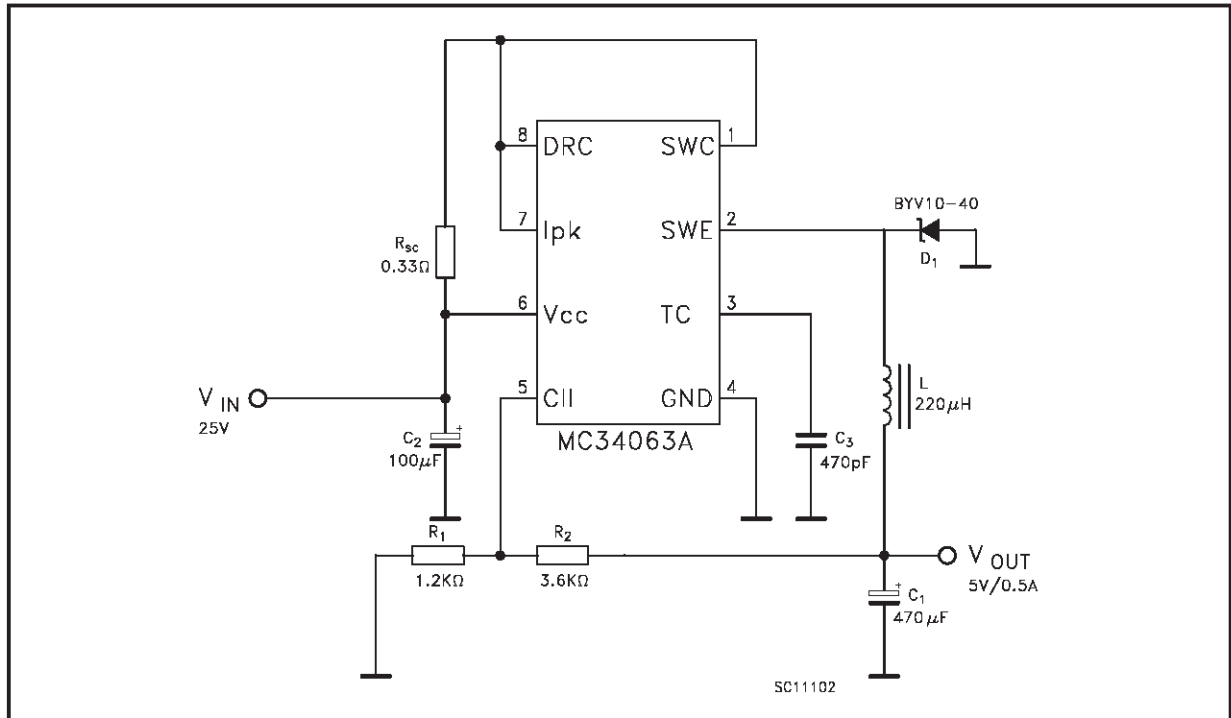
### Printed Demoboard



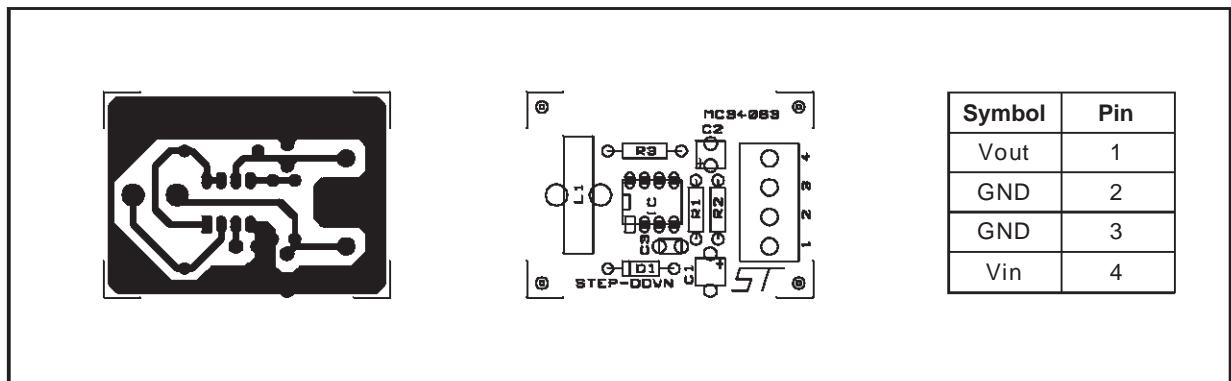
### Test Condition ( $V_{OUT} = 28V$ )

Test	Conditions	Value (Typ.)	Unit
Line Regulation	$V_{IN} = 8 \text{ to } 16V$ , $I_O = 175 \text{ mA}$	30	mV
Load Regulation	$V_{IN} = 12V$ , $I_O = 75 \text{ to } 175 \text{ mA}$	10	mV
Output Ripple	$V_{IN} = 12V$ , $I_O = 175 \text{ mA}$	300	mV
Efficiency	$V_{IN} = 12V$ , $I_O = 175 \text{ mA}$	89	%

Step-Down Converter



Printed Demoboard

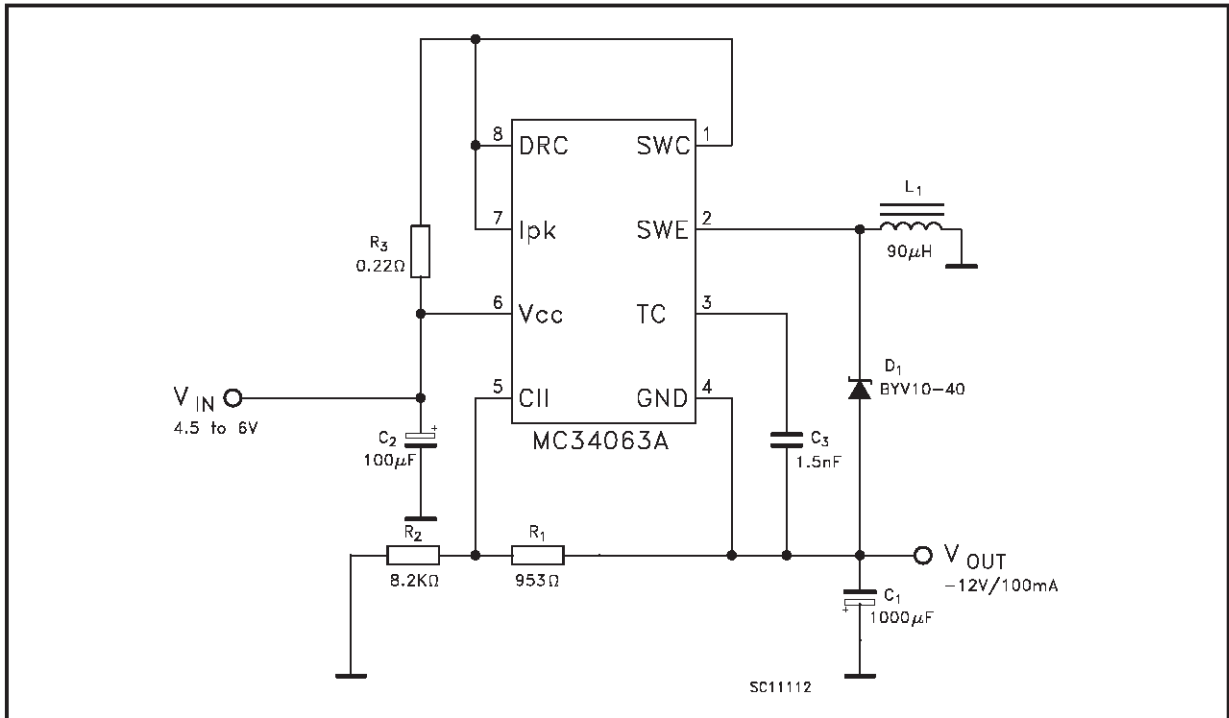


Test Condition ( $V_{OUT} = 5V$ )

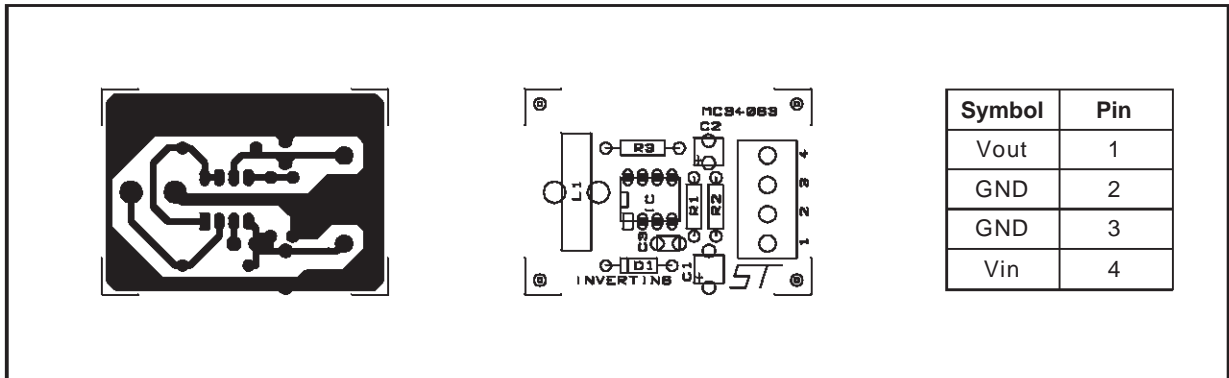
Test	Conditions	Value (Typ.)	Unit
Line Regulation	$V_{IN} = 15 \text{ to } 25V, I_O = 500 \text{ mA}$	5	mV
Load Regulation	$V_{IN} = 25V, I_O = 50 \text{ to } 500 \text{ mA}$	30	mV
Output Ripple	$V_{IN} = 25V, I_O = 500 \text{ mA}$	100	mV
Efficiency	$V_{IN} = 25V, I_O = 500 \text{ mA}$	80	%
$I_{sc}$	$V_{IN} = 25V, R_{LOAD} = 0.1\Omega$	1.2	A

# MC34063A

## Voltage Inverting Converter



## Printed Demoboard



## Test Condition (V<sub>OUT</sub> = -12V)

Test	Conditions	Value (Typ.)	Unit
Line Regulation	V <sub>IN</sub> = 4.5 to 6V, I <sub>O</sub> = 100 mA	15	mV
Load Regulation	V <sub>IN</sub> = 5V, I <sub>O</sub> = 10 to 100 mA	20	mV
Output Ripple	V <sub>IN</sub> = 5V, I <sub>O</sub> = 100 mA	230	mV
Efficiency	V <sub>IN</sub> = 5V, I <sub>O</sub> = 100 mA	58	%
I <sub>sc</sub>	V <sub>IN</sub> = 5V, R <sub>LOAD</sub> = 0.1Ω	0.9	A



Calculation

Parameter	Step-Up (Discontinuous mode)	Step-Down (Continuous mode)	Voltage Inverting (Discontinuous mode)
$t_{on}/t_{off}$	$\frac{V_{out} + V_F - V_{in(min)}}{V_{in(min)} - V_{sat}}$	$\frac{V_{out} + V_F}{V_{in(min)} - V_{sat} - V_{out}}$	$\frac{ V_{out}  + V_F}{V_{in} - V_{sat}}$
$(t_{on} + t_{off})_{max}$	$1/f_{min}$	$1/f_{min}$	$1/f_{min}$
$C_T$	$4.5 \times 10^{-5} t_{on}$	$4.5 \times 10^{-5} t_{on}$	$4.5 \times 10^{-5} t_{on}$
$I_{PK( switch )}$	$2I_{out(max)}[(t_{on}/t_{off}) + 1]$	$2I_{out(max)}$	$2I_{out(max)}[(t_{on}/t_{off}) + 1]$
$R_{sc}$	$0.3/I_{PK( switch )}$	$0.3/I_{PK( switch )}$	$0.3/I_{PK( switch )}$
$C_o$	$\cong \frac{I_{out} t_{on}}{V_{ripple(p-p)}}$	$\frac{I_{PK( switch )} (t_{on} + t_{off})}{8V_{ripple(p-p)}}$	$\cong \frac{I_{out} t_{on}}{V_{ripple(p-p)}}$
$L(min)$	$\frac{V_{in(min)} - V_{sat}}{I_{PK( switch )}} t_{on(max)}$	$\frac{V_{in(min)} - V_{sat} - V_{out}}{I_{PK( switch )}} t_{on(max)}$	$\frac{V_{in(min)} - V_{sat}}{I_{PK( switch )}} t_{on(max)}$

NOTES:

$V_{sat}$  = Saturation voltage of the output switch

$V_F$  = Forward voltage drop of the output rectifier

THE FOLLOWING POWER SUPPLY CHARACTERISTICS MUST BE CHOSEN:

$V_{in}$  = Nominal input voltage

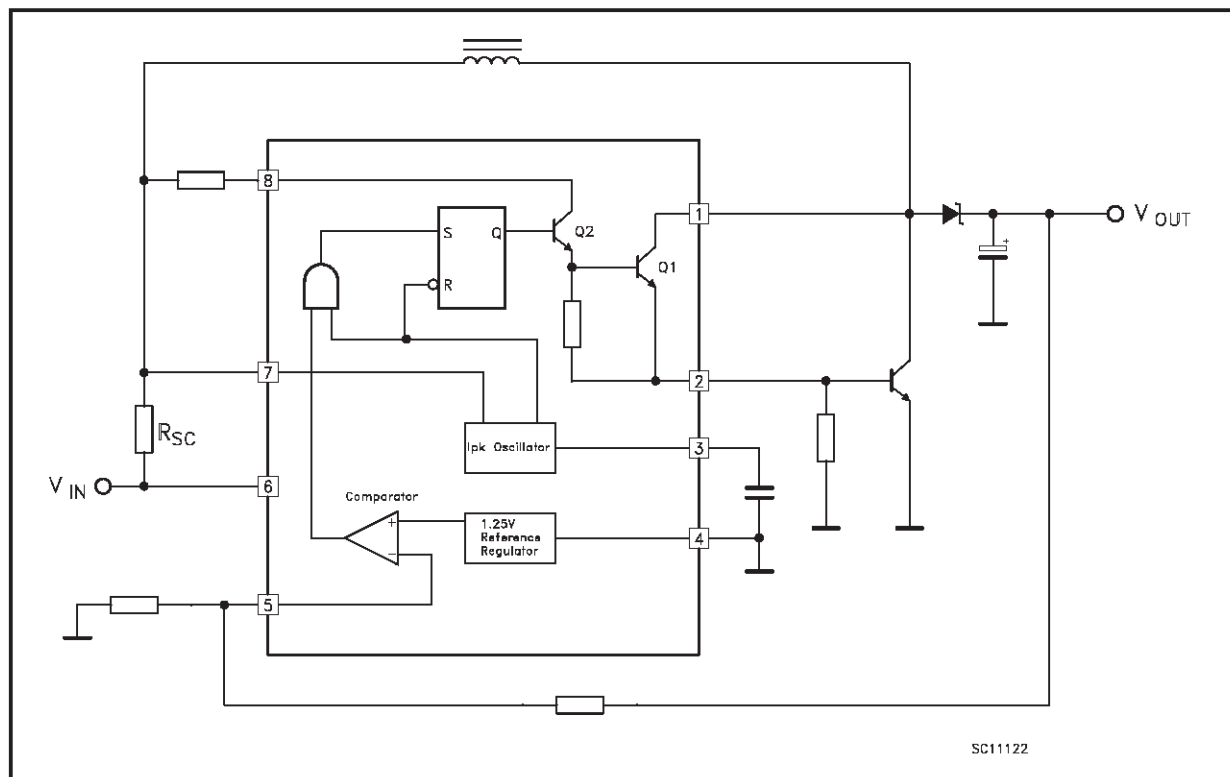
$V_{out}$  = Desired output voltage,  $|V_{out}| = 1.25(1 + R_2/R_1)$

$I_{out}$  = Desired output current

$f_{min}$  = Minimum desired output switching frequency at the selected values of  $V_{in}$  and  $I_o$

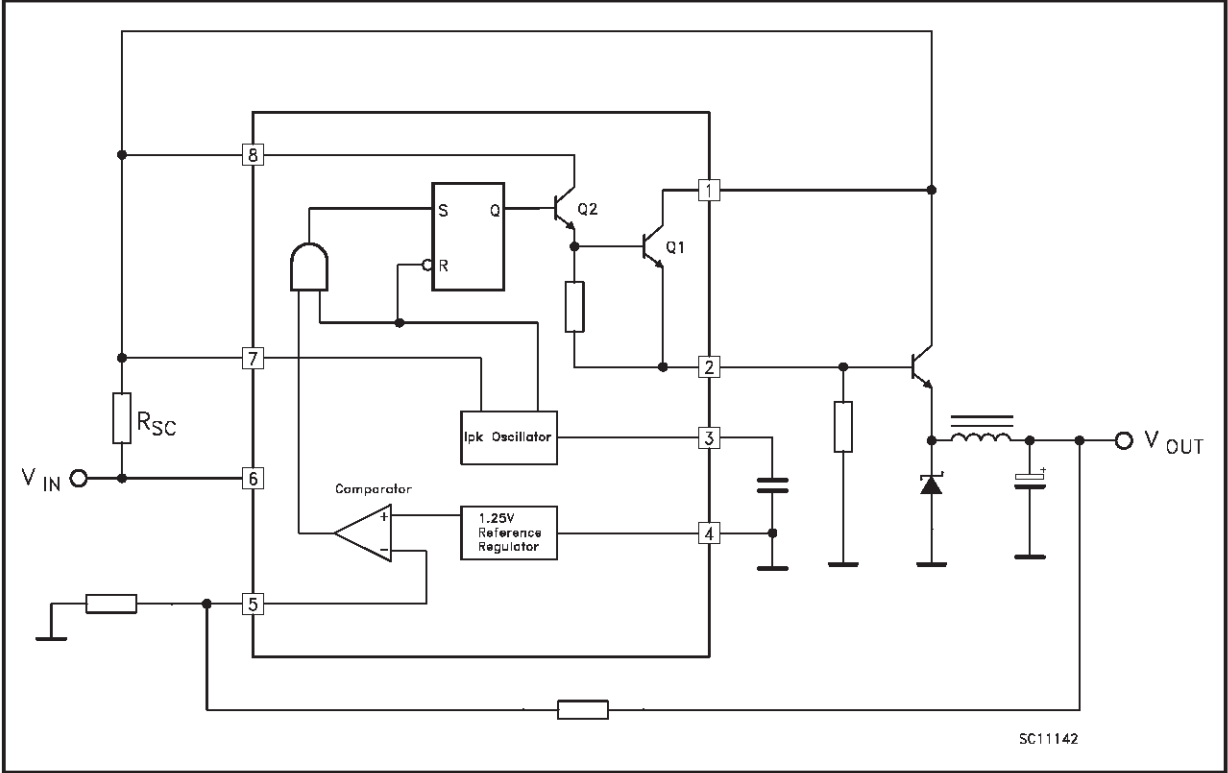
$V_{ripple}$  = Desired peak to peak output ripple voltage. In practice, the calculated capacitor value will and to be increased due to its equivalent series resistance and board layout. The ripple voltage should be kept to a low value since it will directly affect the line and load regulation.

Step-up With External NPN Switch

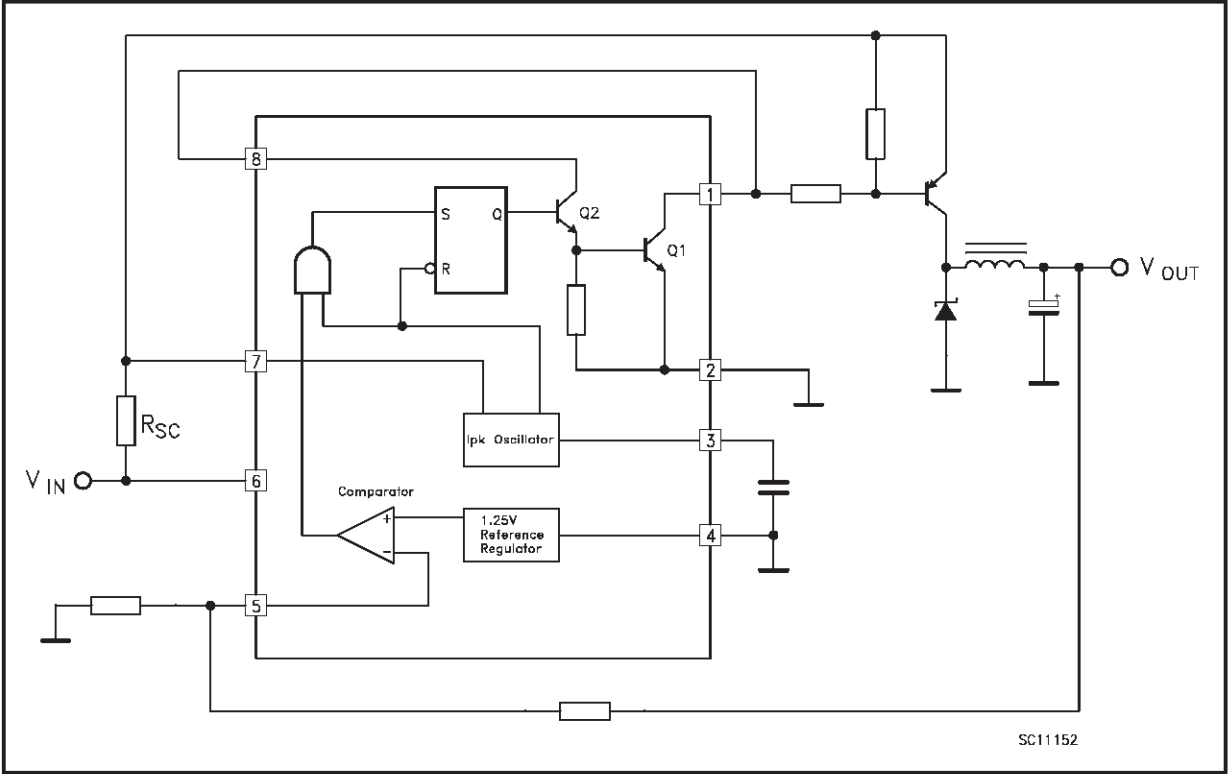


MC34063A

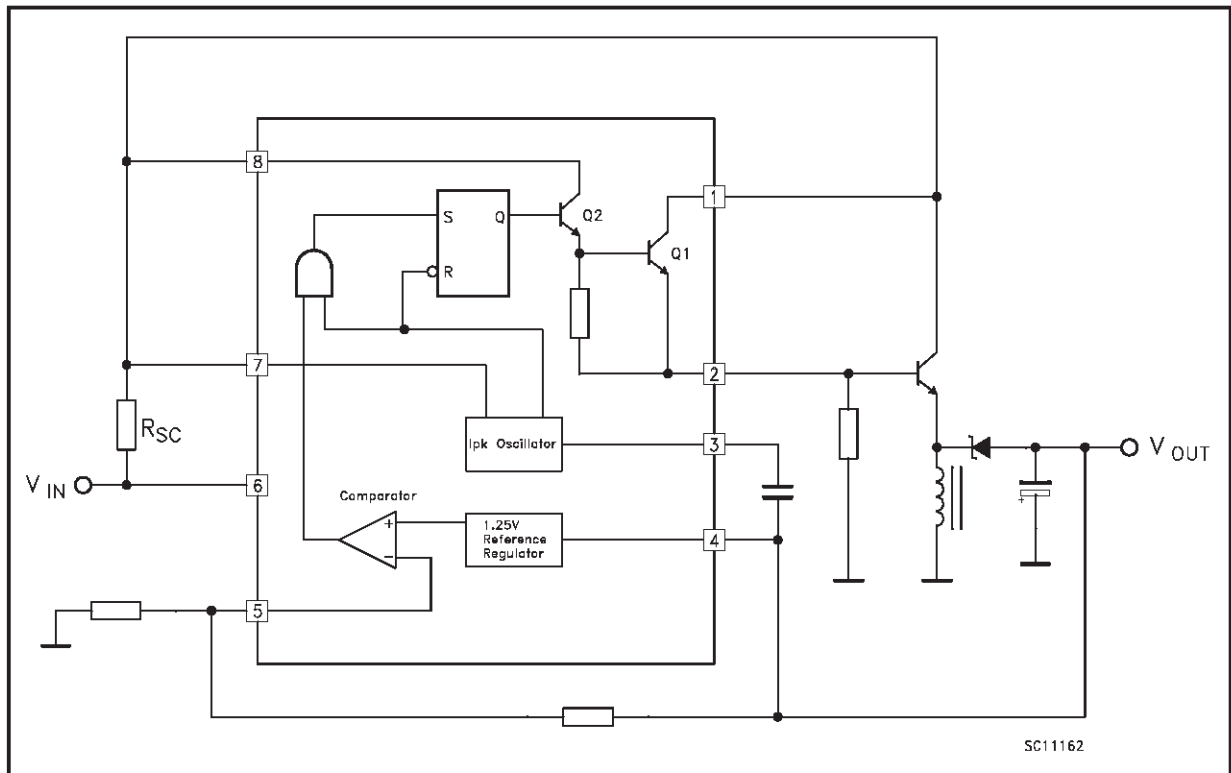
Step-down With External NPN Switch



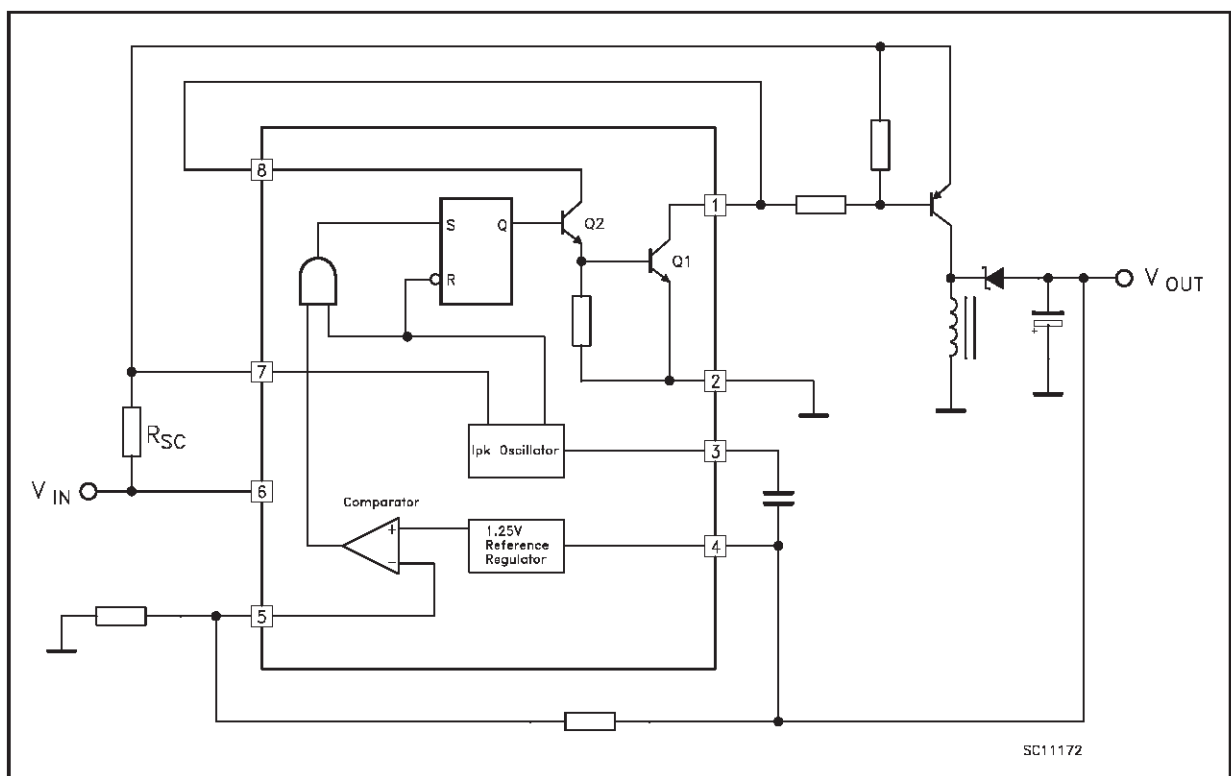
Step-down With External PNP Switch



Voltage Inverting With External NPN Switch



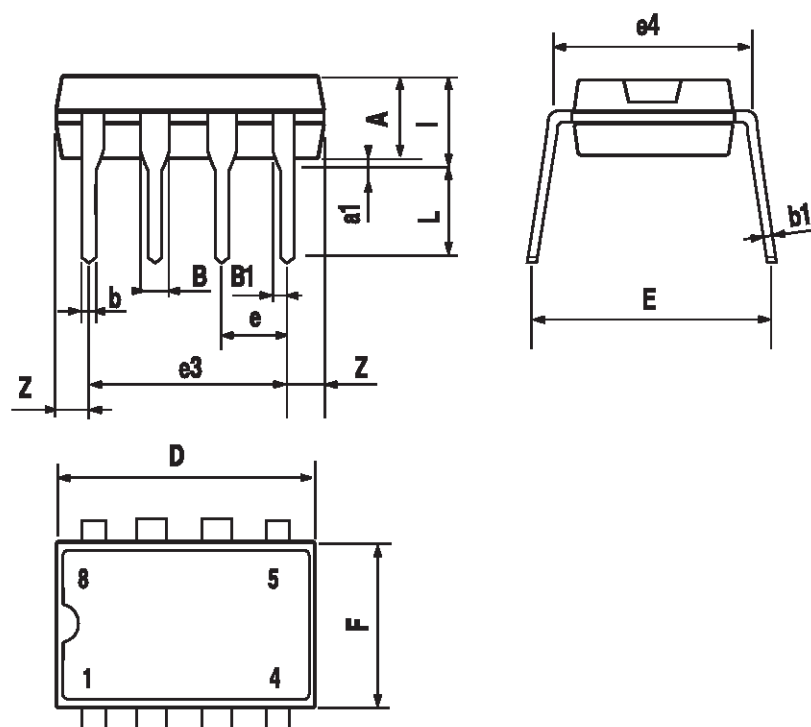
Voltage Inverting With External PNP Saturated Switch





## Plastic DIP-8 MECHANICAL DATA

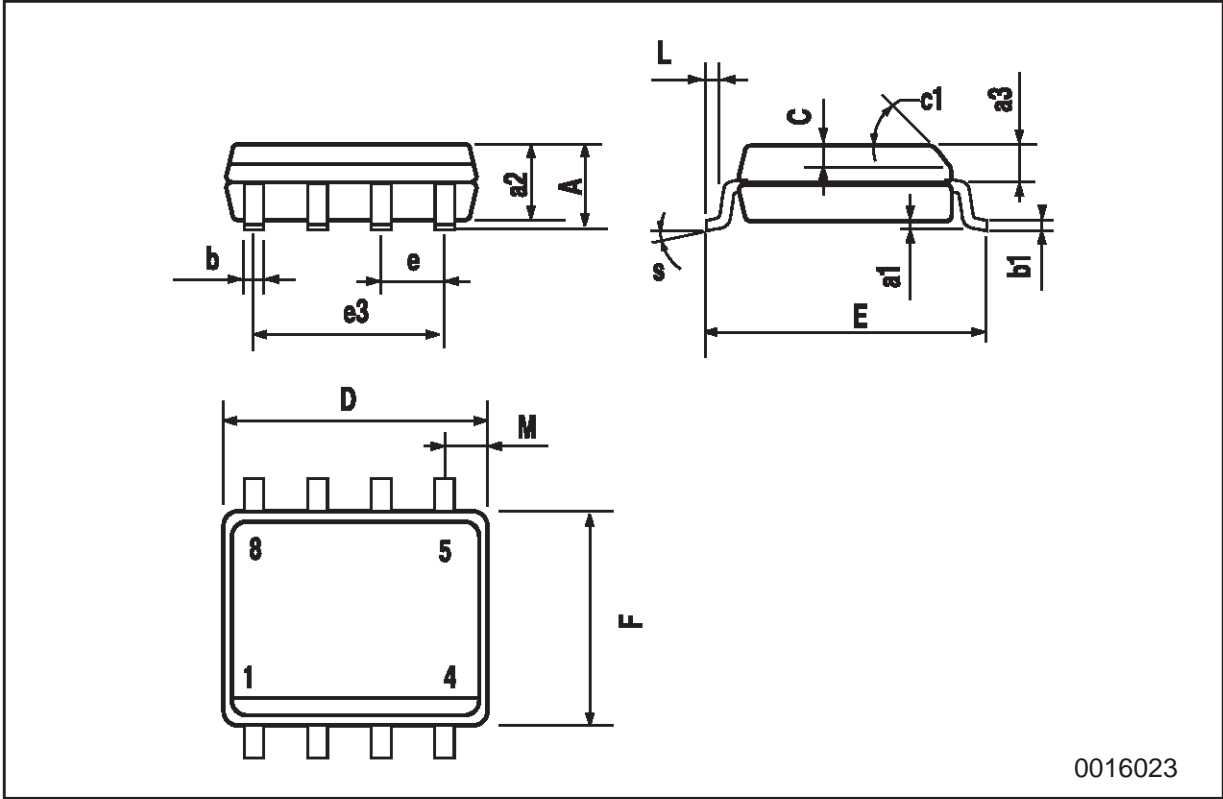
DIM.	mm			inch		
	MIN.	TYP.	MAX.	MIN.	TYP.	MAX.
A		3.3			0.130	
a1	0.7			0.028		
B	1.39		1.65	0.055		0.065
B1	0.91		1.04	0.036		0.041
b		0.5			0.020	
b1	0.38		0.5	0.015		0.020
D			9.8			0.386
E		8.8			0.346	
e		2.54			0.100	
e3		7.62			0.300	
e4		7.62			0.300	
F			7.1			0.280
I			4.8			0.189
L		3.3			0.130	
Z	0.44		1.6	0.017		0.063



P001F

**SO-8 MECHANICAL DATA**

DIM.	mm			inch		
	MIN.	TYP.	MAX.	MIN.	TYP.	MAX.
A			1.75			0.068
a1	0.1		0.25	0.003		0.009
a2			1.65			0.064
a3	0.65		0.85	0.025		0.033
b	0.35		0.48	0.013		0.018
b1	0.19		0.25	0.007		0.010
C	0.25		0.5	0.010		0.019
c1	45 (typ.)					
D	4.8		5.0	0.188		0.196
E	5.8		6.2	0.228		0.244
e		1.27			0.050	
e3		3.81			0.150	
F	3.8		4.0	0.14		0.157
L	0.4		1.27	0.015		0.050
M			0.6			0.023
S	8 (max.)					



0016023



Information furnished is believed to be accurate and reliable. However, STMicroelectronics assumes no responsibility for the consequences of use of such information nor for any infringement of patents or other rights of third parties which may result from its use. No license is granted by implication or otherwise under any patent or patent rights of STMicroelectronics. Specification mentioned in this publication are subject to change without notice. This publication supersedes and replaces all information previously supplied. STMicroelectronics products are not authorized for use as critical components in life support devices or systems without express written approval of STMicroelectronics.

The ST logo is a registered trademark of STMicroelectronics

© 2000 STMicroelectronics – Printed in Italy – All Rights Reserved

STMicroelectronics GROUP OF COMPANIES

Australia - Brazil - China - Finland - France - Germany - Hong Kong - India - Italy - Japan - Malaysia - Malta - Morocco  
Singapore - Spain - Sweden - Switzerland - United Kingdom - U.S.A.

<http://www.st.com>