

# Analog/Mixed-Signal Products

## Designer's Master Selection Guide

August 2002



## IMPORTANT NOTICE

Texas Instruments Incorporated and its subsidiaries (TI) reserve the right to make corrections, modifications, enhancements, improvements, and other changes to its products and services at any time and to discontinue any product or service without notice. Customers should obtain the latest relevant information before placing orders and should verify that such information is current and complete. All products are sold subject to TI's terms and conditions of sale supplied at the time of order acknowledgment.

TI warrants performance of its hardware products to the specifications applicable at the time of sale in accordance with TI's standard warranty. Testing and other quality control techniques are used to the extent TI deems necessary to support this warranty. Except where mandated by government requirements, testing of all parameters of each product is not necessarily performed.

TI assumes no liability for applications assistance or customer product design. Customers are responsible for their products and applications using TI components. To minimize the risks associated with customer products and applications, customers should provide adequate design and operating safeguards.

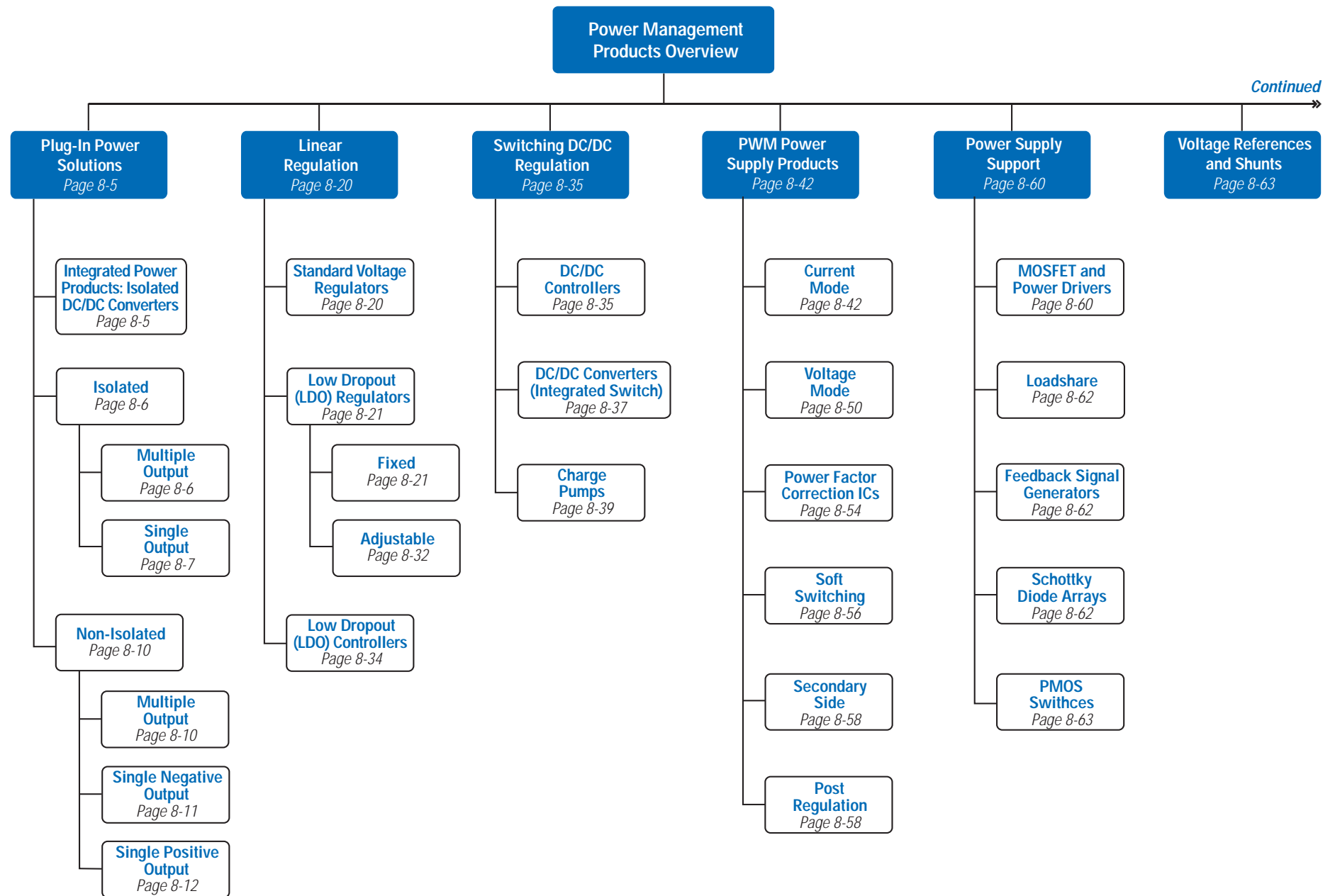
TI does not warrant or represent that any license, either express or implied, is granted under any TI patent right, copyright, mask work right, or other TI intellectual property right relating to any combination, machine, or process in which TI products or services are used. Information published by TI regarding third-party products or services does not constitute a license from TI to use such products or services or a warranty or endorsement thereof. Use of such information may require a license from a third party under the patents or other intellectual property of the third party, or a license from TI under the patents or other intellectual property of TI.

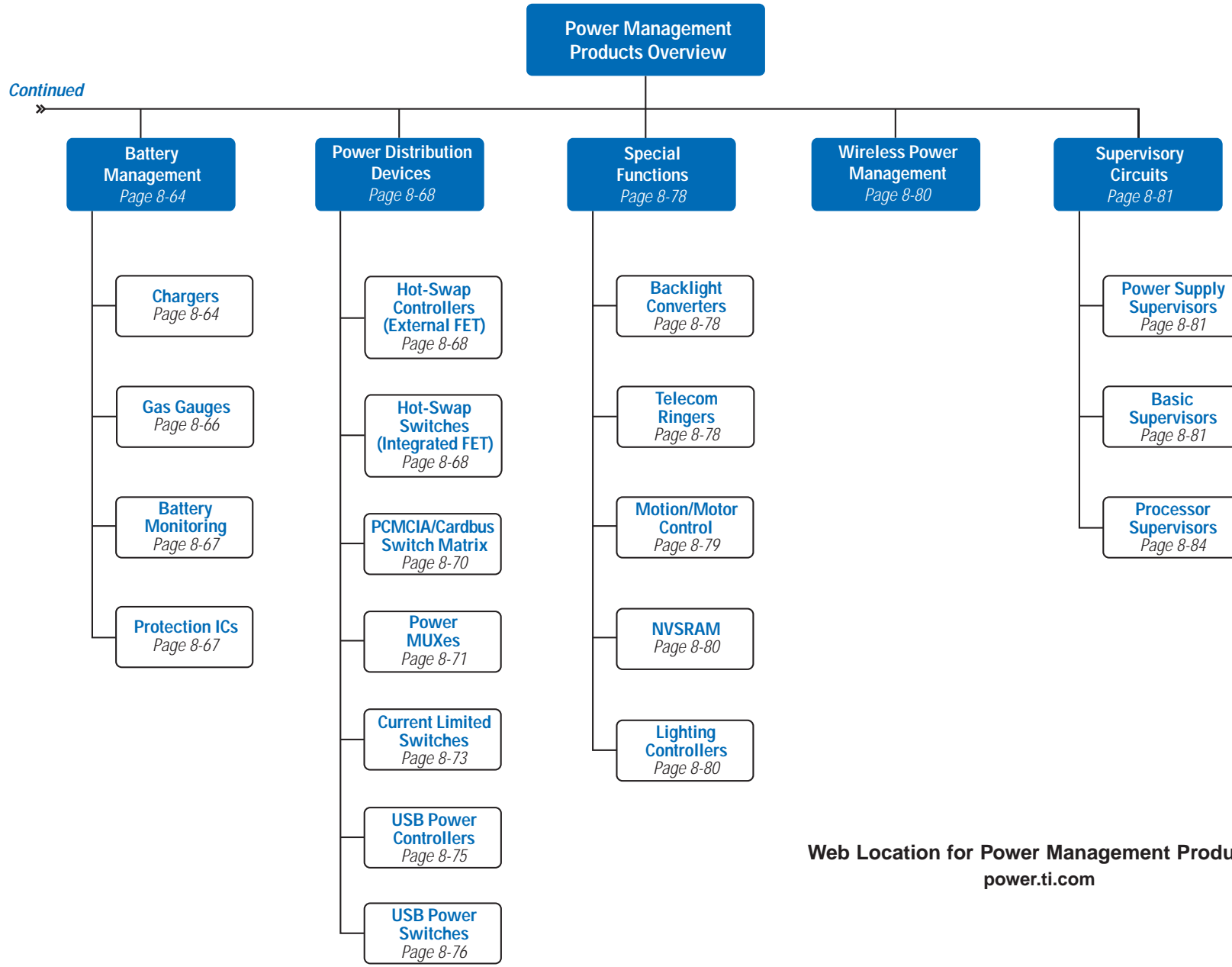
Reproduction of information in TI data books or data sheets is permissible only if reproduction is without alteration and is accompanied by all associated warranties, conditions, limitations, and notices. Reproduction of this information with alteration is an unfair and deceptive business practice. TI is not responsible or liable for such altered documentation.

Resale of TI products or services with statements different from or beyond the parameters stated by TI for that product or service voids all express and any implied warranties for the associated TI product or service and is an unfair and deceptive business practice. TI is not responsible or liable for any such statements.

### Mailing Address:

Texas Instruments  
Post Office Box 655303  
Dallas, Texas 75265





**Web Location for Power Management Products:**  
**power.ti.com**

# Power Management Products

## Contents

<b>Introduction</b> .....	8-2	<b>Battery Management</b>	
<b>Product Selection Guides</b>		Chargers .....	8-64
Product Highlights .....	8-3	Gas Gauges .....	8-66
Plug-In Power Solutions		Battery Monitoring .....	8-67
Integrated Power Products: Isolated DC/DC Converters ..	8-5	Protection ICs .....	8-67
Isolated .....	8-6	<b>Power Distribution Devices</b>	
Non-Isolated .....	8-10	Hot-Swap Controllers (External FET) .....	8-68
Linear Regulation		Hot-Swap Switches (Integrated FET) .....	8-68
Standard Voltage Regulators .....	8-20	PCMCIA/Cardbus Switch Matrix .....	8-70
Low Dropout (LDO) Regulators—Fixed .....	8-21	Power MUXes .....	8-71
Low Dropout (LDO) Regulators—Adjustable .....	8-32	Current Limited Switches .....	8-73
Low Dropout (LDO) Controllers .....	8-34	USB Power Controllers .....	8-75
Switching DC/DC Regulation		USB Power Switches .....	8-76
DC/DC Controllers .....	8-35	<b>Special Functions</b>	
DC/DC Converters (Integrated Switch) .....	8-37	Backlight Converters .....	8-78
Charge Pumps .....	8-39	Telecom Ringers .....	8-78
PWM Power Supply Products		Motion/Motor Control .....	8-79
Current Mode .....	8-42	NVSRAM .....	8-80
Voltage Mode .....	8-50	Lighting Controllers .....	8-80
Power Factor Correction ICs .....	8-54	Wireless Power Management .....	8-80
Soft Switching .....	8-56	<b>Supervisory Circuits</b>	
Secondary Side .....	8-58	Power Supply Supervisors .....	8-81
Post Regulation .....	8-58	Basic Supervisors .....	8-81
Power Supply Support		Processor Supervisors .....	8-84
MOSFET and Power Drivers .....	8-60	<b>Resources</b> .....	8-87
Loadshare .....	8-62		
Feedback Signal Generators .....	8-62		
Schottky Diode Arrays .....	8-62		
PMOS Switches .....	8-63		
Voltage References and Shunts .....	8-63		

**Web Location for Power Management Products:**  
[power.ti.com](http://power.ti.com)

For military qualified products, refer to:  
[www.ti.com/sc/docs/products/military/mix\\_sig/index.htm](http://www.ti.com/sc/docs/products/military/mix_sig/index.htm)

The Texas Instruments (TI) family of power management devices offers one of the most complete, cost-effective power management portfolios in the industry. In addition to the product portfolio, TI also provides customers with one of the most comprehensive “solution portfolios” for ICs, EVMs, application notes and power modules.

TI is always in the process of expanding its power management portfolio with the introduction of new leading-edge power solutions. With the acquisition of both Unitrode™/Benchmarq™ and Power Trends™, our customers can now fill the majority, if not all, of their power management needs from Texas Instruments. From a simple low-dropout regulator to a complete plug-in module, TI has the solution. This section outlines the various product spaces within TI's powerful line-up of power management solutions.

For technical assistance, requesting datasheets or samples, see Contact Information on the last page of this book.

Two other resources for product information are:

- 1) the *Analog and Mixed-Signal* webpage at [analog.ti.com](http://analog.ti.com)
- 2) the Designer's Master Selection Guide CD-ROM (SLYC005G). Complete and return the attached business reply card to order.

## ■ Product Highlights

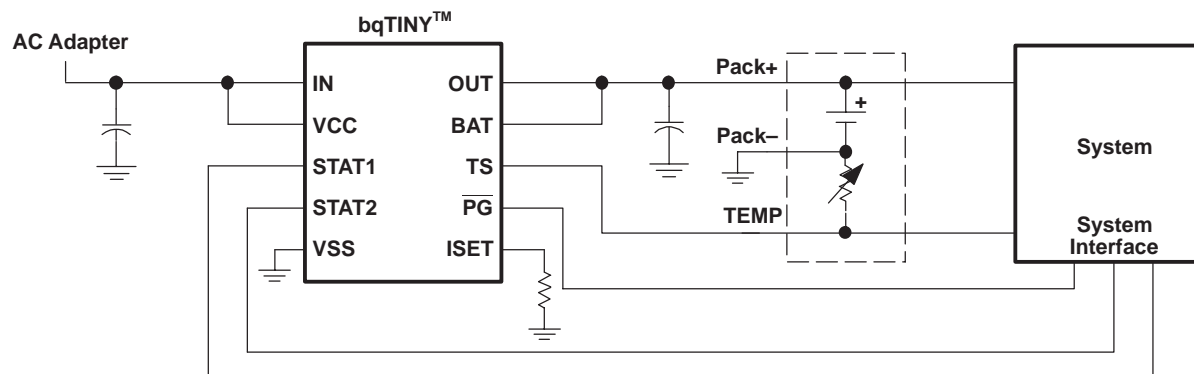
### bq2401x “bqTINY™” Fully Integrated 1-cell Li-Ion Charger with 1-A FET and Current Sense in 3 x 3-mm MLP—Product Preview

The bq2401x series offers highly integrated linear Li-Ion charge management devices for single-cell Li-Ion and Li-Polymer applications. They integrate 1.0-A charge FET, reverse-blocking Schottky diode and current sense along with other battery-management features. They require a minimal set of external components and come in the 3 x 3-mm, MLP-10 package for smallest implementations.

#### Features

- Integrated Power FET, Current Sensor and Reverse-Blocking Schottky Diode
- Charges Single-Cell Li-Ion or Li-Pol Battery Packs with up to 1-A Charge Current and Low Dropout
- 3 x 3-mm, MLP-10 Package
- Input Voltage 3 to 18 V
- Power Good (AC Adapter Present) Status Output
- Charge-Status Outputs for LED or Host Processor Interface to Indicate Charge in Progress, Charge Completion, and Fault
- Current and Voltage Regulation Control
- Charge Termination by Minimum Current and Time
- Precharge Conditioning With Safety Timer
- Optional Temperature Monitoring Battery
- Automatic Low-Power Sleep Mode

Typical Block Diagram



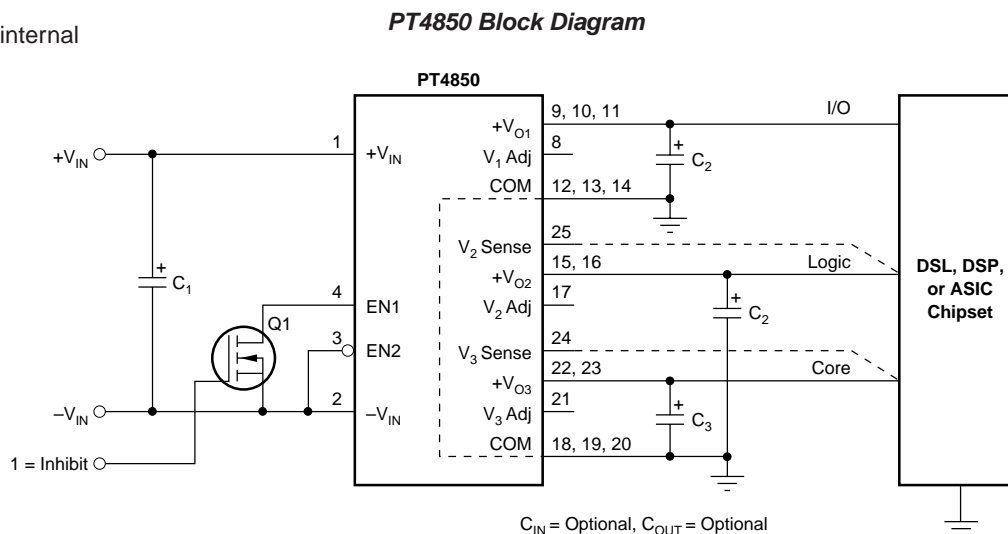
■ Product Highlights (Continued)

**For Plug-In Power, Use the PT4850—Product Preview**

Industry's first 75-W power module with three low-voltage outputs and internal sequencing, all in a package size smaller than a half-brick.

**Features**

- Sequenced, 3 Independently Regulated Outputs
- 48-V Input (36-V to 75-V Range)
- Combined 25-A Output
- 85% Typical Efficiency
- -40°C to +85°C Operating Temperature Range
- Over-Current, Over-Voltage, Over-Temperature, Under-Voltage Lockout Protection
- Dual Logic On/Off Control

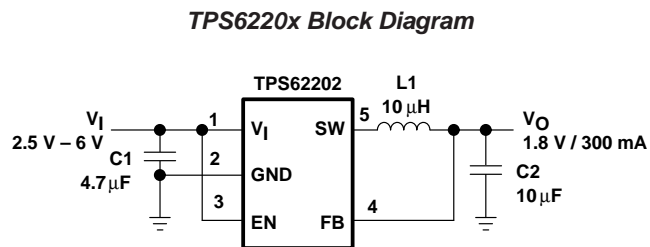


**TPS6220x 97% Efficient 300-mA Step-Down DC/DC Converter in SOT-23—Product Preview**

The TPS6220x series is a step-down DC/DC converter with integrated FETs in a SOT-23 package. It delivers over 300 mA of output current with output voltages as low as 0.7 V. The power conversion efficiency reaches up to 97%.

**Features**

- Up to 97% Efficiency
- Up to 300-mA Output Current
- 5-Pin SOT-23 Package
- 15- $\mu$ A Quiescent Current
- 2.5-V to 6.0-V Input Voltage Range
- Adjustable Output Voltage from 0.7 V to V<sub>IN</sub>
- 1-MHz Fixed-Frequency PWM Operation
- 100% Duty Cycle Low-Dropout Operation





## ■ Plug-In Power Solutions—Integrated Power Products: Isolated DC/DC Converters

Device Name	V <sub>CC</sub>		Preset V <sub>OUT</sub> (V)	Sorted By V <sub>OUT</sub>			Output Current (mA)	Efficiency (typ) (%)	I <sub>q</sub> (typ) (mA)	Switching Frequency (max) (kHz)	Package	Price*	Description
	(min) (V)	(max) (V)		(min) (V)	(max) (V)	Accuracy (%)							
DCR010503	4.5	5.5	3.3	3.234	3.366	2	300			400	PDIP,SOIC	5.66	Miniature, 1W Isolated Regulated DC/DC Converters
DCR011203	10.8	13.2	3.3	3.234	3.366	2	300			400	PDIP,SOIC	5.66	Miniature, 1W Isolated Regulated DC/DC Converters
DCR012403	21.6	26.4	3.3	3.234	3.366	2	300			400	PDIP,SOIC	5.66	Miniature, 1W Isolated Regulated DC/DC Converters
<b>DCT104803</b>	<b>32</b>	<b>75</b>	<b>3.3</b>	<b>3.2</b>	<b>3.4</b>	<b>3</b>	<b>2000</b>	<b>76</b>		<b>450</b>	<b>SOP</b>	<b>19.51</b>	<b>10 Watt Isolated Telecoms DC/DC Converter</b>
DPC020503	4.5	5.5	3.3	3.13	3.46	5	606	74	18	400	PDIP,SOIC	6.58	Miniature, 2W Isolated Unregulated DC/DC Converters
DCR010505	4.5	5.5	5	4.9	5.1	2	200			400	PDIP,SOIC	5.66	Miniature, 1W Isolated Regulated DC/DC Converters
DCR011205	10.8	13.2	5	4.9	5.1	2	200			400	PDIP,SOIC	5.66	Miniature, 1W Isolated Regulated DC/DC Converters
DCR021205	10.8	13.2	5	4.9	5.1	2	400		15	400	PDIP	6.94	Miniature, 2W Isolated Regulated DC/DC Converters
DCR012405	21.6	26.4	5	4.9	5.1	2	200			400	PDIP,SOIC	5.66	Miniature, 1W Isolated Regulated DC/DC Converters
DCR022405	21.6	26.4	5	4.9	5.1	2	400		15	400	PDIP	6.94	Miniature, 2W Isolated Regulated DC/DC Converters
<b>DCT104805</b>	<b>32</b>	<b>75</b>	<b>5</b>	<b>4.85</b>	<b>5.15</b>	<b>3</b>	<b>2000</b>	<b>80</b>		<b>450</b>	<b>PDIP,SOP</b>	<b>19.51</b>	<b>10 Watt Isolated Telecoms DC/DC Converter</b>
DPC010505B	4.5	5.5	5	4.75	5.25	5	200	80	20	400	PDIP,SOP	5.07	Miniature, 1W Isolated Unregulated DC/DC Converters
DPC020505	4.5	5.5	5	4.75	5.25	5	400	80	18	400	PDIP,SOIC	6.58	Miniature, 2W Isolated Unregulated DC/DC Converters
DCV010505	4.5	5.5	5	4.75	5.25	5	200	78	20	400	PDIP,SOP	8.10	Miniature, 1W, 1500Vrms Isolated Unregulated DC/DC Converters
DPC021205	10.8	13.2	5	4.75	5.25	5	400	83	14	400	PDIP,SOIC	6.58	Miniature, 2W Isolated Unregulated DC/DC Converters
DPC012405B	21.6	26.4	5	4.75	5.25	5	200	77	14	400	PDIP,SOP	5.07	Miniature, 1W Isolated Unregulated DC/DC Converters
DPC022405D	21.6	26.4	5	4.75	5.25	5	200	80	12	400	PDIP	6.58	Miniature, 2W Isolated Unregulated DC/DC Converters
DCV012405	21.6	26.4	5	4.75	5.25	5	200	77	14	400	PDIP,SOP	8.10	Miniature, 1W, 1500Vrms Isolated Unregulated DC/DC Converters
DPC022405	21.6	26.4	5	4.85	5.35	5	400	81	13	400	PDIP,SOIC	6.58	Miniature, 2W Isolated Unregulated DC/DC Converters
DPC010505DB	4.5	5.5	5	4.25	5.75	5	100	81	22	400	PDIP,SOP	5.58	Miniature, 1W Isolated Unregulated DC/DC Converters
DPC020507	4.5	5.5	7	6.65	7.35	5	286	81	20	400	PDIP,SOIC	6.58	Miniature, 2W Isolated Unregulated DC/DC Converters
DPC020509	4.5	5.5	9	8.55	9.45	5	222	82	23	400	PDIP,SOIC	6.58	Miniature, 2W Isolated Unregulated DC/DC Converters
DPC010512B	4.5	5.5	12	11.4	12.6	5	83	85	29	400	PDIP,SOP	5.07	Miniature, 1W Isolated Unregulated DC/DC Converters
DPC010512DB	4.5	5.5	5	11.4	12.6	5	41	82	40	400	PDIP,SOP	5.58	Miniature, 1W Isolated Unregulated DC/DC Converters
DCV010512	4.5	5.5	12	11.4	12.6	5	83	85	30	400	PDIP,SOP	8.10	Miniature, 1W, 1500Vrms Isolated Unregulated DC/DC Converters
DPC021212	10.8	13.2	12	11.4	12.6	5	167	87	15	400	PDIP,SOIC	6.58	Miniature, 2W Isolated Unregulated DC/DC Converters
DPC021212D	10.8	13.2	12	11.4	12.6	5	83	88	16	400	PDIP,SOIC	6.58	Miniature, 2W Isolated Unregulated DC/DC Converters
DPC011512DB	13.5	16.5	12	11.4	12.6	5	41	78	19	400	PDIP,SOP	5.58	Miniature, 1W Isolated Unregulated DC/DC Converters
DCV011512D	13.5	16.5	12	11.4	12.6	5	41	78	19	400	PDIP,SOP	8.60	Miniature, 1W, 1500Vrms Isolated Unregulated DC/DC Converters
DPC010515B	4.5	5.5	15	14.25	15.75	5	67	82	34	400	PDIP,SOP	5.07	Miniature, 1W Isolated Unregulated DC/DC Converters
DPC010515DB	4.5	5.5	15	14.25	15.75	5	33	85	42	400	PDIP,SOP	5.07	Miniature, 1W Isolated Unregulated DC/DC Converters
DPC020515D	4.5	5.5	15	14.25	15.75	5	66	85	27	400	PDIP,SOIC	6.58	Miniature, 2W Isolated Unregulated DC/DC Converters
DCV010515	4.5	5.5	15	14.25	15.75	5	67	84	34	400	PDIP,SOP	8.10	Miniature, 1W, 1500Vrms Isolated Unregulated DC/DC Converters
DPC011515DB	13.5	16.5	15	14.25	15.75	5	33	80	20	400	PDIP,SOP	5.58	Miniature, 1W Isolated Unregulated DC/DC Converters
DPC021515	13.5	16.5	15	14.25	15.75	5	133	88	15	400	PDIP,SOIC	6.58	Miniature, 2W Isolated Unregulated DC/DC Converters
DCV011515D	13.5	16.5	15	14.25	15.75	5	33	79	20	400	PDIP,SOP	8.60	Miniature, 1W, 1500Vrms Isolated Unregulated DC/DC Converters
DPC012415DB	21.6	26.4	15	14.25	15.75	5	33	76	17	400	PDIP,SOP	5.58	Miniature, 1W Isolated Unregulated DC/DC Converters
DPC022415D	21.6	26.4	15	14.25	15.75	5	66	79	16	400	PDIP,SOIC	6.58	Miniature, 2W Isolated Unregulated DC/DC Converters
DCV012415D	21.6	26.4	15	14.25	15.75	5	33	76	17	400	PDIP,SOP	8.6	Miniature, 1W, 1500Vrms Isolated Unregulated DC/DC Converters

\*Budgetary price per unit in U.S. dollars, lots of 1,000+

Preview devices announced but not yet in production appear in **BOLD**.

■ Plug-In Power Solutions—Isolated—Multiple Outputs

Device Name	$V_{IN}$		Sorted By					$V_O$ Adjustable	Package	Price*	Description
	(min) (V)	(max) (V)	$P_O$ (W)	$V_{O1}$ (V)	$V_{O2}$ (V)	$V_{O3}$ (V)					
<b>24-V Bus</b>											
PT4686	18	36	46.5	2.5	1.8			Yes	SIP Module	99.19	2.5V/1.8V 20A Dual-Output, 24-V Input Isolated DC/DC Converter
PT4682	18	36	62	3.3	2.5			Yes	SIP Module	99.19	3.3V/2.5V 20A Dual Output 24V-Input Isolated DC/DC Converter
PT4683	18	36	58.5	3.3	1.8			Yes	SIP Module	99.19	3.3V/1.8V 20A Dual-Output, 24-V Input Isolated DC/DC Converter
PT4685	18	36	57	3.3	1.5			Yes	SIP Module	99.19	3.3V/1.5V 20A Dual-Output, 24-V Input Isolated DC/DC Converter
PT4681	18	36	91.5	5	3.3			Yes	SIP Module	99.19	5V/3.3V 20A Dual Output 24V-Input Isolated DC/DC Converter
PT4687	18	36	84	5	1.8			Yes	SIP Module	99.19	5V/1.8V 20A Dual-Output, 24-V Input Isolated DC/DC Converter
<b>48-V Bus</b>											
PT4666	36	75	46.5	2.5	1.8			Yes	SIP Module	99.19	2.5V/1.8V 20Amp Dual Output 48V-Input Isolated DC/DC Converter
PT4662	36	75	62	3.3	2.5			Yes	SIP Module	99.19	3.3V/2.5V 20A Dual Output 48V-Input Isolated DC/DC Converter
PT4663	36	75	58.5	3.3	1.8			Yes	SIP Module	99.19	3.3V/1.8V 20A Dual Output 48V-Input Isolated DC/DC Converter
PT4665	36	75	57	3.3	1.5			Yes	SIP Module	99.19	3.3V/1.5V 20Amp Dual Output 48V-Input Isolated DC/DC Converter
PT4668	36	75	55.5	3.3	1.2			Yes	SIP Module	99.19	3.3/1.2V 20A Dual-Output, 48-V Input Isolated DC/DC Converter
PT4821	36	75	35	3.3	2.5	1.5		Yes	SIP Module	64.83	3.3V/2.5V/1.5V 12-A, 48-V Input Isolated DC/DC Converter
PT4851	36	75	75	3.3	2.5	1.5		Yes	SIP Module	96.64	3.3/2.5V/1.5V 25-A, 48-V Input Triple-Output DC/DC Converter
PT4311	38	75	6	5	-5			Yes	DIP Module	23.25	±5V 6W 48V-Input Isolated DC/DC Converter
PT4661	36	75	91.5	5	3.3			Yes	SIP Module	99.19	5V/3.3V 20A Dual Output 48V-Input Isolated DC/DC Converter
PT4667	36	75	84	5	1.8			Yes	SIP Module	99.19	5V/1.8V 20Amp Dual Output 48V-Input Isolated DC/DC Converter
PT4313	38	75	6	12	-12			Yes	DIP Module	23.25	±12V 6W 48V-Input Isolated DC/DC Converter
PT4842	36	75	62	12	3.3	1.8		Yes	SIP Module	102.31	12V/3.3V/1.8V 48V-Input 62-Watt Triple-Output DC/DC Converter
PT4801	36	75	25	15	3.3	1.5		Yes	SIP Module	51.66	25-Watt Triple Output 48V-Input Isolated DC/DC Converter for DSL
PT4841	36	75	65	15	3.3	1.5		Yes	SIP Module	102.30	15V/3.3V/1.5V 48V-Input 65 Watt Triple-Output DC/DC Converter

\*Budgetary price per unit in U.S. dollars, lots of 1,000+

Preview devices announced but not yet in production appear in **BOLD**.

## ■ Plug-In Power Solutions—Isolated—Single Output

Device Name	V <sub>IN</sub>		P <sub>O</sub> (W)	I <sub>O</sub> (A)	V <sub>O</sub> (V)	V <sub>adj Lo</sub> (V)	V <sub>adj Hi</sub> (V)	V <sub>O</sub> Adjustable	Package	Price*	Description
	(min) (V)	(max) (V)									
<b>Sorted By</b>											
<b>24-V Bus</b>											
PT4509	18	40	6	5	1.2	1.05	1.35	Yes	SIP Module	32.45	1.2V 5A, 24-V Input Isolated DC/DC Converter
PT4247	18	36	3.9	3	1.3	1.2	1.4	Yes	SIP Module	26.86	1.3V 3.9W 24V-Input Isolated DC/DC Converter
PT4146	18	40	7.5	5	1.5	1.35	1.65	Yes	DIP Module	32.44	1.5Vout 5Amp 24V-Input Isolated DC/DC Converter
PT4246	18	36	4.5	3	1.5	1.45	1.65	Yes	SIP Module	26.86	1.5V 3Amp 24V-Input Isolated DC/DC Converter
PT4506	18	40	7.5	5	1.5	1.35	1.65	Yes	SIP Module	32.44	1.5V 5A 24V-Input Isolated DC/DC Converter
PT4147	18	40	9	5	1.8	1.62	1.98	Yes	DIP Module	32.44	1.8Vout 5Amp 24V-Input Isolated DC/DC Converter
PT4241	18	36	5.4	3	1.8	1.7	1.98	Yes	SIP Module	26.86	1.8V 3Amp 24V-Input Isolated DC/DC Converter
PT4507	18	40	9	5	1.8	1.62	1.98	Yes	SIP Module	32.44	1.8V 5A 24V-Input Isolated DC/DC Converter
PT4585	18	60	14.4	8	1.8	1.8	2.2	Yes	SIP Module	38.52	1.8Vout 8A 18V to 60V Input Isolated DC/DC Converter
PT4148	18	40	12.5	5	2.5	2.25	2.75	Yes	DIP Module	32.44	2.5V, 5A 20W Isolated DC/DC Converter
PT4245	18	36	7.5	3	2.5	2.25	2.75	Yes	SIP Module	26.86	2.5V 3Amp 24V-Input Isolated DC/DC Converter
PT4508	18	40	12.5	5	2.5	2.25	2.75	Yes	SIP Module	32.44	2.5V 5A 24V-Input Isolated DC/DC Converter
PT3341	18	60	26.4	8	3.3	2.95	3.65	Yes	SIP Module	38.52	3.3Vout 26W 18 to 60V-Input Isolated DC/DC Converter
PT4141	18	40	16.5	5	3.3	2.95	3.65	Yes	DIP Module	32.44	3.3V, 5A 20W Isolated DC/DC Converter
PT4242	18	36	10	3	3.3	2.95	3.65	Yes	SIP Module	26.86	3.3V 10W 24V-Input Isolated DC/DC Converter
PT4501	18	40	16.5	5	3.3	2.95	3.65	Yes	SIP Module	32.44	3.3V 5A 24V-Input Isolated DC/DC Converter
PT4581	18	60	26.4	8	3.3	2.95	3.65	Yes	SIP Module	38.52	3.3Vout 26W 18V to 60V Input Isolated DC/DC Converter
PT3104	18	40	15	3	5			No	DIP Module	36.35	5Vout 15W 24V-Input Isolated DC/DC Converter
PT3342	18	60	30	6	5	4.5	5.5	Yes	SIP Module	38.52	5Vout 30W 18 to 60V-Input Isolated DC/DC Converter
PT4104	18	40	15	3	5			No	DIP Module	38.95	5Vout 15W 24V Input Isolated DC/DC Converter
PT4142	18	40	20	4	5	4.5	5.5	Yes	DIP Module	32.44	5V, 4A 20 W Isolated DC/DC Converter
PT4243	18	36	10	2	5	4.5	5.5	Yes	SIP Module	26.86	5V 10W 24V-Input Isolated DC/DC Converter
PT4502	18	40	20	4	5	4.5	5.5	Yes	SIP Module	32.44	5.0V 20W 24V-Input Isolated DC/DC Converter
PT4582	18	60	30	6	5	4.5	5.5	Yes	SIP Module	38.52	5Vout 30W 18V to 60V Input Isolated DC/DC Converter
PT3105	18	40	15	1.25	12			No	DIP Module	36.35	12Vout 15W 24V-Input Isolated DC/DC Converter
PT3343	18	60	30	2.5	12	10.8	13.2	Yes	SIP Module	38.52	12Vout 30W 18 to 60V-Input Isolated DC/DC Converter
PT4105	18	40	15	1.25	12			No	DIP Module	38.95	12Vout 15W 24V Input Isolated DC/DC Converter
PT4143	18	40	20	1.6	12	10.8	13.2	Yes	DIP Module	32.44	12V, 1.6A 20W Isolated DC/DC Converter
PT4244	18	36	10	0.85	12	10.8	13.2	Yes	SIP Module	26.86	12V 10W 24V-Input Isolated DC/DC Converter
PT4503	18	40	20	1.6	12	10.8	13.2	Yes	SIP Module	32.44	12V 20W 24V-Input Isolated DC/DC Converter
PT4583	18	60	30	2.5	12	10.8	13.2	Yes	SIP Module	38.52	12Vout 30W 18V to 60V Input Isolated DC/DC Converter
PT3106	18	40	15	1	15			No	DIP Module	36.35	15Vout 15W 24V-Input Isolated DC/DC Converter
PT3344	18	60	30	2	15	13.5	16.5	Yes	SIP Module	38.52	15Vout 30W 18 to 60V-Input Isolated DC/DC Converter
PT4106	18	40	15	1	15			No	DIP Module	38.95	15Vout 15W 24V Input Isolated DC/DC Converter
PT4144	18	40	20	1.3	15	13.5	16.5	Yes	DIP Module	32.44	15V, 1.3A 20W Isolated DC/DC Converter
PT4504	18	40	20	1.3	15	13.5	16.5	Yes	SIP Module	32.44	15V 20W 24V-Input Isolated DC/DC Converter
PT4584	18	60	30	2	15	13.5	16.5	Yes	SIP Module	38.52	15Vout 30W 18V to 60V Input Isolated DC/DC Converter

\*Budgetary price per unit in U.S. dollars, lots of 1,000+

Preview devices announced but not yet in production appear in **BOLD**.

■ Plug-In Power Solutions—Isolated—Single Output (Continued)

Device Name	$V_{IN}$		$P_O$ (W)	$I_O$ (A)	$V_O$ (V)	$V_{adj Lo}$ (V)	$V_{adj Hi}$ (V)	$V_O$ Adjustable	Package	Price*	Description
	(min) (V)	(max) (V)									
<b>Sorted By</b>											
<b>24-V Bus (Continued)</b>											
PT4471	18	36	100	30		1.3	3.5	Yes	SIP Module	91.96	100W 24V Input 30A Pgrmable DC/DC Converter
PT4472	18	36	100	30		1.3	3.5	Yes	SIP Module	91.96	100W 24V Input 30A Pgrmable DC/DC Converter
PT4473	18	36	100	20		4.6	5.7	Yes	SIP Module	91.96	100W 24V Input 5V Output Pgrmable DC/DC Converter
PT4474	18	36	100	20		4.6	5.7	Yes	SIP Module	91.96	100W 24V Input 5V Output Pgrmable DC/DC Converter
PT4475	18	36	100	8.5		6.5	17.5	Yes	SIP Module	91.96	100W 24V Input 12V Output Pgrmable DC/DC Converter
PT4476	18	36	100	8.5		6.5	17.5	Yes	SIP Module	91.96	100W 24V Input 12V Output Pgrmable DC/DC Converter
PT4493	18	36	100	8.5				Yes	SIP Module	72.33	8.5A "Current Booster" for PT4476 DC/DC Converter
PT4494	18	36	100	20				Yes	SIP Module	72.33	20A "Current Booster" for PT4474 DC/DC Converter
PT4495	18	36	100	30				Yes	SIP Module	72.33	30A "Current Booster" for PT4472 DC/DC Converter
<b>48-V Bus</b>											
PT4529	36	75	6	5	1.2	1.05	1.35	Yes	SIP Module	32.45	1.2V 5A, 48-V Input Isolated DC/DC Converter
PT4227	36	75	3.9	3	1.3	1.2	1.4	Yes	SIP Module	26.86	1.3V 3.9W 48V-Input Isolated DC/DC Converter
PT4126	36	75	7.5	5	1.5	1.35	1.65	Yes	DIP Module	32.44	1.5Vout 5A 48V-Input Isolated DC/DC Converter
PT4226	36	75	4.5	3	1.5	1.45	1.65	Yes	SIP Module	26.86	1.5Vout 4.5W 48V-Input Isolated DC/DC Converter
PT4526	36	75	7.5	5	1.5	1.35	1.65	Yes	SIP Module	32.44	1.5V 5A 48V-Input Isolated DC/DC Converter
PT3327	36	75	14.4	8	1.8	1.62	1.98	Yes	SIP Module	38.52	1.8Vout 14W 48V-Input Isolated DC/DC Converter
PT4127	36	75	9	5	1.8	1.62	1.98	Yes	DIP Module	32.44	1.8Vout 5A 48V-Input Isolated DC/DC Converter
PT4221	36	75	5.4	3	1.8	1.7	1.98	Yes	SIP Module	26.86	1.8Vout 5W 48V-Input Isolated DC/DC Converter
PT4527	36	75	9	5	1.8	1.62	1.98	Yes	SIP Module	32.44	1.8V 5A 48V-Input Isolated DC/DC Converter
PT4567	36	75	14.4	8	1.8	1.62	1.98	Yes	SIP Module	38.52	1.8Vout 8A 48V-Input Isolated DC/DC Converter
PT3325	36	75	16	8	2	1.8	2.2	Yes	SIP Module	38.52	2Vout 16W 48V-Input Isolated DC/DC Converter
PT4565	36	75	16	8	2	1.8	2.2	Yes	SIP Module	38.52	2.0Vout 8A 48V-Input Isolated DC/DC Converter
PT3326	36	75	20	8	2.5	2.25	2.75	Yes	SIP Module	38.52	2.5Vout 20W 48V-Input Isolated DC/DC Converter
PT4128	36	75	12.5	5	2.5	2.25	2.75	Yes	DIP Module	32.44	2.5Vout 5A 48V-Input Isolated DC/DC Converter
PT4225	36	75	7.5	3	2.5	2.25	2.75	Yes	SIP Module	26.86	2.5Vout 7.5W 48V-Input Isolated DC/DC Converter
PT4528	36	75	12.5	5	2.5	2.25	2.75	Yes	SIP Module	32.44	2.5V 5A 48V-Input Isolated DC/DC Converter
PT4566	36	75	20	8	2.5	2.25	2.75	Yes	SIP Module	38.52	2.5Vout 8A 48V-Input Isolated DC/DC Converter
PT3321	36	75	26.4	8	3.3	2.95	3.65	Yes	SIP Module	38.52	3.3Vout 26W 48V-Input Isolated DC/DC Converter
PT4110	36	75	13.2	4	3.3			No	DIP Module	38.95	3.3Vout 13.2W 48V-Input Isolated DC/DC Converter
PT4121	36	75	16.5	5	3.3	2.95	3.65	Yes	DIP Module	32.44	3.3Vout 5A 48V-Input Isolated DC/DC Converter
PT4212	36	75	6	1.5	3.3			No	DIP Module	23.25	3.3Vout 5W 48V-Input Isolated DC/DC Converter
PT4222	36	75	10	3	3.3	2.95	3.65	Yes	SIP Module	26.86	3.3Vout 10W 48V-Input Isolated DC/DC Converter
PT4521	36	75	16.5	5	3.3	2.95	3.65	Yes	SIP Module	32.44	3.3V 5A 48V-Input Isolated DC/DC Converter
PT4561	36	75	26.4	8	3.3	2.95	3.65	Yes	SIP Module	38.52	3.3Vout 30W 48V-Input Isolated DC/DC Converter
PT3101	36	75	15	3	5			No	DIP Module	36.35	5Vout 15W 48V-Input Isolated DC/DC Converter
PT3322	36	75	30	6	5	4.5	5.5	Yes	SIP Module	38.52	5Vout 30W 48V-Input Isolated DC/DC Converter
PT4101	36	75	15	3	5			No	DIP Module	38.95	5Vout 15W 48V Input Isolated DC/DC Converter

\*Budgetary price per unit in U.S. dollars, lots of 1,000+

Preview devices announced but not yet in production appear in **BOLD**.

## ■ Plug-In Power Solutions—Isolated—Single Output (Continued)

Device Name	V <sub>IN</sub>		P <sub>O</sub> (W)	I <sub>O</sub> (A)	V <sub>O</sub> (V)	V <sub>adj Lo</sub> (V)	V <sub>adj Hi</sub> (V)	V <sub>O</sub> Adjustable	Package	Price*	Description
	(min) (V)	(max) (V)									
<b>Sorted By</b>											
<b>48-V Bus (Continued)</b>											
PT4122	36	75	20	4	5	4.5	5.5	Yes	DIP Module	32.44	5.0Vout 20W 48V-Input Isolated DC/DC Converter
PT4213	36	75	6	1.2	5			No	DIP Module	23.25	5.0Vout 6W 48V-Input Isolated DC/DC Converter
PT4223	36	75	10	2	5	4.5	5.5	Yes	SIP Module	26.86	5.0Vout 10W 48V-Input Isolated DC/DC Converter
PT4522	36	75	20	4	5	4.5	5.5	Yes	SIP Module	32.44	5.0V 20W 48V-Input Isolated DC/DC Converter
PT4562	36	75	30	6	5	4.5	5.5	Yes	SIP Module	38.52	5Vout 30W 48V-Input Isolated DC/DC Converter
PT3328	36	75	30	6	5.2			Yes	SIP Module	38.52	5.2Vout 30W 48V-Input Isolated DC/DC Converter
PT4125	36	75	20	3.8	5.2	4.5	5.5	Yes	DIP Module	32.44	5.2Vout 20W 48V-Input Isolated DC/DC Converter
PT4568	36	75	20	6	5.2	4.5	5.5	Yes	SIP Module	38.52	5.2Vout 30W 48V-Input Isolated DC/DC Converter
PT4571	36	75	20	3.3	9	7	10	Yes	SIP Module	38.52	9V 30 Watt 48V-Input Isolated DC/DC Converter
PT3102	36	75	15	1.25	12			No	DIP Module	36.35	12Vout 15W 48V-Input Isolated DC/DC Converter
PT3323	36	75	30	2.5	12	10.8	13.2	Yes	SIP Module	38.52	12Vout 30W 48V-Input Isolated DC/DC Converter
PT4102	36	75	15	1.25	12			No	DIP Module	38.95	12Vout 15W 48V-Input Isolated DC/DC Converter
PT4123	36	75	20	1.6	12	10.8	13.2	Yes	DIP Module	32.44	12Vout 20W 48V-Input Isolated DC/DC Converter
PT4214	36	75	7.2	0.6	12			No	DIP Module	23.25	12Vout 7W 48V-Input Isolated DC/DC Converter
PT4224	36	75	10	0.85	12	10.8	13.2	Yes	SIP Module	26.86	12Vout 10W 48V-Input Isolated DC/DC Converter
PT4523	36	75	20	1.6	12	10.8	13.2	Yes	SIP Module	32.44	12V 20W 48V-Input Isolated DC/DC Converter
PT4563	36	75	30	2.5	12	10.8	13.2	Yes	SIP Module	38.52	12Vout 30W 48V-Input Isolated DC/DC Converter
PT3103	36	75	15	1	15			No	DIP Module	36.35	15Vout 15W 48V-Input Isolated DC/DC Converter
PT3324	36	75	30	2	15	13.5	16.5	Yes	SIP Module	38.52	15Vout 30W 48V-Input Isolated DC/DC Converter
PT4103	36	75	15	1	15			No	DIP Module	38.95	15Vout 15W 48V-Input Isolated DC/DC Converter
PT4124	36	75	20	1.3	15	13.5	16.5	Yes	DIP Module	32.44	15Vout 20W 48V-Input Isolated DC/DC Converter
PT4524	36	75	20	1.3	15	13.5	16.5	Yes	SIP Module	32.44	15V 20W 48V-Input Isolated DC/DC Converter
PT4564	36	75	30	2	15	13.5	16.5	Yes	SIP Module	38.52	15Vout 30W 48V-Input Isolated DC/DC Converter
PT4401	36	75	70	20		1.3	3.5	Yes	SIP Module	65.00	1.3 to 3.5V 70W, 48-V Input Isolated DC/DC Converter
PT4481	36	75	100	30		1.3	3.5	Yes	SIP Module	91.96	1.3 to 3.5Vout 30A 48V-Input Isolated DC/DC Converter, CU Case
PT4482	36	75	100	30		1.3	3.5	Yes	SIP Module	91.96	1.3 to 3.5Vout 30A 48V-Input Isolated DC/DC Converter, CU Case
PT4483	36	75	100	20		4.6	5.7	Yes	SIP Module	91.96	100W 48V-Input 5V Output Isolated DC/DC Converter
PT4484	36	75	100	20		4.6	5.7	Yes	SIP Module	91.96	100W 48V-Input 5V Output Isolated Dc-Dc Converter
PT4485	36	75	100	8.5		6.5	17.5	Yes	SIP Module	91.96	100W 48V-Input 12V Output Isolated DC/DC Converter
PT4486	36	75	100	8.5		6.5	17.5	Yes	SIP Module	91.96	100W 48V-Input 12V Output Isolated DC/DC Converter
PT4497	36	75	100	8.5				Yes	SIP Module	72.33	8.5A Current Booster for the PT4486 DC/DC Converter
PT4498	36	75	100	20				Yes	SIP Module	72.33	20A "Current Booster" for the PT4484 DC/DC Converter
PT4499	36	75	100	30				Yes	SIP Module	72.33	30A "Current Booster" for PT4482 DC/DC Converter

\*Budgetary price per unit in U.S. dollars, lots of 1,000+

Preview devices announced but not yet in production appear in **BOLD**.

### ■ Plug-In Power Solutions—Non-Isolated—Multiple Outputs

Device Name	$V_{IN}$		$I_O$ (Total) (A)	Sorted By			Package	Price*	Description
	(min) (V)	(max) (V)		$V_{O1}$ (V)	$V_{O2}$ (V)	$V_O$ Adjustable			
<b>3.3-V Bus</b>									
PT6939	3.1	5.5	9	2.5	1.2	Yes	SIP Module	27.37	11 Amp 5V/3.3V-Input Dual-Output Integrated Switching Regulator
PT6948	3.1	5.5	12	2.5	1.2	Yes	SIP Module	32.37	2.5V/1.2V, 6A+6A 5V/3.3V-Input Dual-Output ISR
PT6947	3.1	5.5	12	2.5	1.5	Yes	SIP Module	32.37	2.5V/1.5V, 6A+6A 5V/3.3V-Input Dual-Output ISR
PT6935	3.1	5.5	9.5	2.5	1.8	Yes	SIP Module	27.37	2.5V/1.8V 9.5 Amp 5V/3.3V-Input Dual Output ISR
PT6946	3.1	5.5	12	2.5	1.8	Yes	SIP Module	32.37	2.5V/1.8V, 6A+6A 5V/3.3V-Input Dual-Output ISR
<b>5-V Bus</b>									
PT6938	4.5	5.5	8.6	3.3	1.2	Yes	SIP Module	27.37	11 Amp 5V/3.3V-Input Dual-Output Integrated Switching Regulator
PT6944	4.5	5.5	12	3.3	1.2	Yes	SIP Module	32.37	3.3V/1.2V, 6A+6A 5V-Input Dual-Output ISR
PT6922	4.5	5.5	7	3.3	1.5	Yes	SIP Module	26.25	3.3/1.5Vout 25W 5V-Input Adjustable Dual Output ISR
PT6932	4.5	5.5	6.95	3.3	1.5	Yes	SIP Module	26.25	3.3/1.5Vout 25W 5V-Input Adjustable Dual Output ISR
PT6943	4.5	5.5	12	3.3	1.5	Yes	SIP Module	32.37	3.3V/1.5V, 6A+6A 5V-Input Dual-Output ISR
PT6933	4.5	5.5	7.25	3.3	1.8	Yes	SIP Module	26.25	3.3/1.8Vout 25W 5V-Input Adjustable Dual Output ISR
PT6937	4.5	5.5	10	3.3	1.8	Yes	SIP Module	27.37	3.3V/1.8V 10 Amp 5V-Input Dual Output ISR
PT6942	4.5	5.5	12	3.3	1.8	Yes	SIP Module	32.37	3.3V/1.8V, 6A+6A 5V-Input Dual-Output ISR
PT6921	4.5	5.5	7.7	3.3	2.5	Yes	SIP Module	26.25	3.3/2.5Vout 25W 5V-Input Adjustable Dual Output ISR
PT6931	4.5	5.5	7.7	3.3	2.5	Yes	SIP Module	26.25	3.3/2.5Vout 25W 5V-Input Adjustable Dual Output ISR
PT6936	4.5	5.5	11	3.3	2.5	Yes	SIP Module	27.37	3.3V/2.5V 11 Amp 5V-Input Dual Output ISR
PT6941	4.5	5.5	12	3.3	2.5	Yes	SIP Module	32.37	3.3V/2.5V, 6A+6A 5V-Input Dual-Output ISR
PT5061	4.75	11	0.5	12	-12	Yes	SIP Module	10.80	+5 to ±12Vout 9W Dual Output Adjustable ISR
PT5062	4.75	14	0.4	15	-15	Yes	SIP Module	10.80	+5 to ±15Vout 9W Dual Output Adjustable ISR
<b>12-V Bus</b>									
PT6985	10.8	13.2	9	2.5	1.2	Yes	SIP Module	27.36	2.5V/1.2V, 9A 12V-Input Dual Output ISR
PT6981	10.8	13.2	10.5	2.5	1.8	Yes	SIP Module	27.36	2.5V/1.8V, 10.5A 12V-Input Dual Output ISR
PT6984	10.8	13.2	8.6	3.3	1.2	Yes	SIP Module	27.36	3.3V/1.2V, 8.6A 12V-Input Dual Output ISR
PT6983	10.8	13.2	9.5	3.3	1.8	Yes	SIP Module	27.36	3.3V/1.8V, 9.5A 12V-Input Dual Output ISR
PT6982	10.8	13.2	10.5	3.3	2.5	Yes	SIP Module	27.36	3.3V/2.5V, 10.5A 12V-Input Dual Output ISR

\*Budgetary price per unit in U.S. dollars, lots of 1,000+

Preview devices announced but not yet in production appear in **BOLD**.

## ■ Plug-In Power Solutions—Non-Isolated—Single Negative Output

Device Name	$V_{IN}$		Sorted By				$V_O$ Adjustable	Package	Price*	Description
	(min) (V)	(max) (V)	$I_O$ (A)	$V_O$ (V)	$V_{adj Lo}$ (V)	$V_{adj Hi}$ (V)				
<b>3.3-V Bus</b>										
PT6905	3.1	3.6	2.5	-5.2	-2.7	-6.5	Yes	SIP Module	26.25	-5.2Vout 12W 3.3V-Input Adjustable Plus to Minus Voltage Converter
PT6915	3.1	3.6	2.5	-5.2	-2.7	-6.5	Yes	SIP Module	26.25	-5.2Vout 12W 3.3V-Input Adjustable Plus to Minus Voltage Converter
PT6904	3.1	3.6	5	-2	-1.4	-4.5	Yes	SIP Module	26.25	-2.0Vout 10W 3.3V-Input Adjustable Plus to Minus Voltage Converter
PT6914	3.1	3.6	5	-2	-1.4	-4.5	Yes	SIP Module	26.25	-2.0Vout 10W 3.3V-Input Adjustable Plus to Minus Voltage Converter
<b>5-V Bus</b>										
PT5025	4.75	7	0.3	-15			No	SIP Module	9.50	-15Vout 0.3A +5V-Input Positive To Negative ISR
PT5024	4.75	7	0.5	-12			No	SIP Module	9.50	-12Vout 0.5A +5V-Input Positive To Negative ISR
PT5023	4.75	7	0.6	-9			No	SIP Module	9.50	-9Vout 0.6A +5V-Input Positive To Negative ISR
PT5027	4.75	7	0.7	-8			No	SIP Module	9.50	-8Vout 0.6A +5V-Input Positive To Negative ISR
PT5028	4.75	7	1	-6.5			No	SIP Module	9.50	-6.5Vout 1A +5V-Input Positive To Negative ISR
PT5030	4.75	7	1	-6			No	SIP Module	9.50	-6Vout 1A +5V-Input Positive To Negative ISR
PT5029	4.75	7	1	-5.5			No	SIP Module	9.50	-5.5Vout 1A +5V-Input Positive To Negative ISR
PT5026	4.75	7	1	-5.2			No	SIP Module	9.50	-5.2Vout 1A +5V-Input Positive To Negative ISR
PT6902	4.5	5.5	3.5	-5.2	2.7	-6.5	Yes	SIP Module	26.25	-5.2Vout 12W 5V-Input Adjustable Plus to Minus Voltage Converter
PT6912	4.5	5.5	3.5	-5.2	-2.7	-6.5	Yes	SIP Module	26.25	-5.2Vout 12W 5V-Input Adjustable Plus to Minus Voltage Converter
PT5022	4.75	7	1	-5			No	SIP Module	9.50	-5Vout 1A +5V-Input Positive To Negative ISR
PT5021	4.75	7	1	-3.3			No	SIP Module	9.50	-3.3Vout 1A +5V-Input Positive To Negative ISR
PT6901	4.5	5.5	6	-2	-1.4	-4.5	Yes	SIP Module	26.25	-2.0Vout 12W 5V-Input Adjustable Plus to Minus Voltage Converter
PT6911	4.5	5.5	6	-2	-1.4	-4.5	Yes	SIP Module	26.25	2.0Vout 12W 5V-Input Adjustable Plus to Minus Voltage Converter
PT5031	4.75	7	1	-1.7			No	SIP Module	9.50	-1.7Vout 1A +5V-Input Positive To Negative ISR
PT6903	4.5	5.5	6	-1.5	-1.2	-3.4	Yes	SIP Module	26.25	-1.5Vout 9W 5V-Input Adjustable Plus to Minus Voltage Converter
PT6913	4.5	5.5	6	-1.5	-1.2	-3.4	Yes	SIP Module	26.25	-1.5Vout 9W 5V-Input Adjustable Plus to Minus Voltage Converter
<b>12-V Bus</b>										
PT6645	8	15	1.5	-15	-10	-17	Yes	SIP Module	18.99	-15V, 1.5A 24W Positive to Negative Voltage Converter
PT78NR115	7	15	0.3	-15			No	SIP Module	8.63	-15Vout 0.3Amp Wide-Input Plus to Minus Voltage ISR
PT78NR215	9	15	0.8	-15			No	SIP Module	16.27	-15V, 10-12W Plus to Minus Voltage ISR
PT78NR114	7	15	0.3	-13.9			No	SIP Module	8.63	-13.9Vout 0.3Amp Wide-Input Plus to Minus Voltage ISR
PT6643	8	18	2	-12	-9	-13.6	Yes	SIP Module	18.99	-12Vout 12V-Input 24W Adjustable Plus to Minus Voltage Converter
PT78NR112	7	18	0.4	-12			No	SIP Module	8.63	-12Vout 0.4Amp Wide-Input Plus to Minus Voltage ISR
PT78NR212	9	15	1	-12			No	SIP Module	16.27	-12V, 10-12W Plus to Minus Voltage ISR
PT78NR110	7	18	0.5	-10			No	SIP Module	8.63	-10Vout 0.5Amp Wide-Input Plus to Minus Voltage ISR
PT6644	8	21	2.5	-9	-6	-10.2	Yes	SIP Module	18.99	-9V, 2.5A 24W Positive to Negative Voltage Converter
PT78NR109	7	21	0.55	-9			No	SIP Module	8.63	-9Vout 0.55Amp Wide-Input Plus to Minus Voltage ISR
PT78NR108	7	21	0.55	-8			No	SIP Module	8.63	-8Vout 0.55Amp Wide-Input Plus to Minus Voltage ISR
PT78NR107	7	21	0.55	-7			No	SIP Module	8.63	-7Vout 0.55Amp Wide-Input Plus to Minus Voltage ISR
PT78NR106	7	21	0.8	-6			No	SIP Module	8.63	-6Vout 0.8Amp Wide-Input Plus to Minus Voltage ISR
PT78NR206	9	15	1.8	-6			No	SIP Module	16.27	-6V, 10-12W Plus to Minus Voltage ISR

\*Budgetary price per unit in U.S. dollars, lots of 1,000+

Preview devices announced but not yet in production appear in **BOLD**.

■ Plug-In Power Solutions—Non-Isolated—Single Negative Output (Continued)

Device Name	V <sub>IN</sub>		I <sub>O</sub> (A)	V <sub>O</sub> (V)	V <sub>adj Lo</sub> (V)	V <sub>adj Hi</sub> (V)	V <sub>O</sub> Adjustable	Package	Price*	Description
	(min) (V)	(max) (V)								
<b>Sorted By</b>										
<b>12-V Bus (Continued)</b>										
PT78NR152	7	25	1	-5.2			No	SIP Module	8.63	-5.2Vout 1Amp Wide-Input Plus to Minus Voltage ISR
PT78NR252	9	15	2	-5.2			No	SIP Module	16.27	-5.2V, 10-12W Plus to Minus Voltage ISR
PT6642	8	25	4	-5	-3	-6.5	Yes	SIP Module	18.99	-5Vout 12V-Input 20W Adjustable Plus to Minus Voltage Converter
PT78NR105	7	25	1	-5			No	SIP Module	8.63	-5Vout 1Amp Wide-Input Plus to Minus Voltage ISR
PT6641	8	27	4	-3.3	-2.2	-4.7	Yes	SIP Module	18.99	-3.3Vout 12V-Input 13W Adjustable Plus to Minus Voltage Converter
PT78NR103	7	25	1	-3			No	SIP Module	8.63	-3Vout 1Amp Wide-Input Plus to Minus Voltage ISR
PT6646	8	27	4	-2.5	-1.8	-4.3	Yes	SIP Module	18.99	-2.5V, 4A Positive to Negative Voltage Converter
<b>Wide Input</b>										
PT79SR115	-19	-30	1.5	-15			No	SIP Module	10.80	-15Vout 1.5Amp Wide-Input Negative Step-Down ISR
PT79SR112	-16	-30	1.5	-12			No	SIP Module	10.80	-12Vout 1.5Amp Wide-Input Negative Step-Down ISR
PT79SR109	-13	-30	1.5	-9			No	SIP Module	10.80	-9Vout 1.5Amp Wide-Input Negative Step-Down ISR
PT79SR108	-12	-30	1.5	-8			No	SIP Module	10.80	-8Vout 1.5Amp Wide-Input Negative Step-Down ISR
PT79SR106	-10	-30	1.5	-6			No	SIP Module	11.30	-6Vout 1.5Amp Wide-Input Negative Step-Down ISR
PT79SR152	-9.2	-30	1.5	-5.2			No	SIP Module	10.80	-5.2Vout 1.5Amp Wide-Input Negative Step-Down ISR
PT79SR105	-9	-30	1.5	-5			No	SIP Module	10.80	-5Vout 1.5Amp Wide-Input Negative Step-Down ISR

■ Plug-In Power Solutions—Non-Isolated—Single Positive Output

Device Name	V <sub>IN</sub>		I <sub>O</sub> (A)	V <sub>O</sub> (V)	V <sub>adj Lo</sub> (V)	V <sub>adj Hi</sub> (V)	Package	Price*	Description
	(min) (V)	(max) (V)							
<b>Sorted By</b>									
<b>3.3-V Bus</b>									
PT5527	3.1	5.5	1.5	1	0.97	1.45	SIP Module	9.77	1.0V 1.5A 5V/3.3V-Input Adjustable Step-Down ISR
PT5507	3.1	5.5	3	1	0.98	1.45	SIP Module	10.80	1.0Vout 3Amp 3.3V/5V-Input Adjustable Step-Down ISR
PT6447	3.1	5.5	6	1	0.97	1.45	SIP Module	18.60	1.0Vout 6A 3.3V/5V-Input Adjustable Step-Down ISR
PT5526	3.1	5.5	1.5	1.2	1.08	1.65	SIP Module	9.77	1.2V 1.5A 5V/3.3V-Input Adjustable Step-Down ISR
PT5506	3.1	5.5	3	1.2	1.08	1.65	SIP Module	10.80	1.2Vout 3Amp 3.3V/5V-Input Adjustable Step-Down ISR
PT6446	3.1	5.5	6	1.2	1.1	1.65	SIP Module	18.60	1.2Vout 6A 3.3V/5V-Input Adjustable Step-Down ISR
PT6505	3.1	6	8	1.2	1.15	2.35	SIP Module	24.08	1.2Vout 8A 3.3V/5V-Input Adjustable ISR with Short-Circuit Protection
PT6527	3.1	5.5	8	1.2	1.09	1.52	SIP Module	18.99	1.2V 8A 3.3V/5V-Input Adjustable ISR with Short-Circuit Protection
PT6605	3.1	6	9	1.2	1.15	2.35	SIP Module	17.47	1.2Vout 9A 3.3V/5V-Input Adjustable ISR
PT6719	3.1	5.5	13	1.2	1.52	1.09	SIP Module	19.53	1.2V 13A 5V/3.3V-Input Adjustable ISR
PT6507	3.1	6	8	1.3	1.2	2.45	SIP Module	24.08	1.3Vout 8A 3.3V/5V-Input Adjustable ISR with Short-Circuit Protection
PT5525	3.1	5.5	1.5	1.5	1.3	1.95	SIP Module	9.77	1.5V 1.5A 5V/3.3V-Input Adjustable Step-Down ISR

\*Budgetary price per unit in U.S. dollars, lots of 1,000+

Preview devices announced but not yet in production appear in **BOLD**.



## ■ Plug-In Power Solutions—Non-Isolated—Single Positive Output (Continued)

Device Name	$V_{IN}$		Sorted By				Package	Price*	Description
	(min) (V)	(max) (V)	$I_O$ (A)	$V_O$ (V)	$V_{adj Lo}$ (V)	$V_{adj Hi}$ (V)			
<b>3.3-V Bus (Continued)</b>									
PT5505	3.1	5.5	3	1.5	1.3	1.95	SIP Module	10.80	1.5Vout 3Amp 3.3V/5V-Input Adjustable Step-Down ISR
PT6445	3.1	5.5	6	1.5	1.3	1.95	SIP Module	18.60	1.5Vout 6A 3.3V/5V-Input Adjustable Step-Down ISR
PT6502	3.1	6	8	1.5	1.3	2.65	SIP Module	24.08	1.5Vout 8A 3.3V/5V-Input Adjustable ISR with Short-Circuit Protection
PT6522	3.1	5.5	8	1.5	1.47	1.75	SIP Module	18.99	1.5Vout 8A 5V/3.3V-Input Adjustable ISR with Short-Circuit Protection
PT6602	3.1	6	9	1.5	1.3	2.65	SIP Module	17.47	1.5Vout 9A 3.3V/5V-Input Adjustable ISR
PT6708	3.1	5.5	13	1.5	1.47	1.73	SIP Module	19.53	1.5Vout 13 Amp 5V/3.3V-Input Adjustable ISR, CU Case
PT6718	3.1	5.5	13	1.5	1.47	1.73	SIP Module	19.53	1.5Vout 13 Amp 5V/3.3V-Input Adjustable ISR, CU Case
PT5524	3.1	5.5	1.5	1.8	1.5	2.25	SIP Module	9.77	1.8V 1.5A 5V/3.3V-Input Adjustable Step-Down ISR
PT5504	3.1	5.5	3	1.8	1.5	2.25	SIP Module	10.80	1.8Vout 3Amp 3.3V/5V-Input Adjustable Step-Down ISR
PT6444	3.1	5.5	6	1.8	1.5	2.25	SIP Module	18.60	1.8Vout 6A 3.3V/5V-Input Adjustable Step-Down ISR
PT6506	3.1	6	8	1.8	1.4	2.95	SIP Module	24.08	1.8Vout 8A 3.3V/5V-Input Adjustable ISR with Short-Circuit Protection
PT6526	3.1	5.5	8	1.8	1.75	2	SIP Module	18.99	1.8Vout 8A 3.3V/5V-Input Adjustable ISR with Short-Circuit Protection
PT6606	3.1	6	9	1.8	1.4	2.95	SIP Module	17.47	1.8Vout 9A 3.3V/5V-Input Adjustable ISR
PT6707	3.1	5.5	13	1.8	1.75	2	SIP Module	19.53	1.8Vout 13 Amp 5V/3.3V-Input Adjustable ISR, CU Case
PT6717	3.1	5.5	13	1.8	1.75	2	SIP Module	19.53	1.8Vout 13 Amp 5V/3.3V-Input Adjustable ISR, CU Case
PT5523	3.1	5.5	1.5	2	1.64	2.45	SIP Module	9.77	2.0V 1.5A 5V/3.3V-Input Adjustable Step-Down ISR
PT5503	3.1	5.5	3	2	1.64	2.45	SIP Module	10.80	2.0Vout 3Amp 3.3V/5V-Input Adjustable Step-Down ISR
PT6443	3.1	5.5	6	2	1.65	2.45	SIP Module	18.60	2.0Vout 6A 3.3V/5V-Input Adjustable Step-Down ISR
PT6525	3.1	5.5	8	2.1	1.95	2.45	SIP Module	18.99	2.1Vout 8A 5V/3.3V-Input Adjustable ISR with Short-Circuit Protection
PT5522	3.1	5.5	1.5	2.5	1.97	2.95	SIP Module	9.77	2.5V 1.5A 5V/3.3V-Input Adjustable Step-Down ISR
PT5502	3.1	5.5	3	2.5	1.97	2.95	SIP Module	10.80	2.5Vout 3Amp 3.3V/5V-Input Adjustable Step-Down ISR
PT6442	3.1	5.5	6	2.5	1.95	2.95	SIP Module	18.60	2.5Vout 6A 3.3V/5V-Input Adjustable Step-Down ISR
PT6523	3.1	5.5	8	2.5	2.25	2.85	SIP Module	18.99	2.5Vout 8A 5V/3.3V-Input Adjustable ISR with Short-Circuit Protection
PT6671	3.1	3.6	3	5	3.8	5.5	SIP Module	18.99	5Vout 3.3V-Input 20W Boost ISR
PT6672	3.1	3.6	3	9	8.2	9.2	SIP Module	18.99	9Vout 3.3V-Input 20W Boost ISR
PT6673	3.1	3.6	3	12	9.6	12.8	SIP Module	18.99	12Vout 3.3V-Input 20W Boost ISR
<b>3.3-V Bus Adjustable Only</b>									
PT7714	3.1	3.6	20		0.8	1.58	SIP Module	32.01	0.8V to 1.575V 20A 3.3V-Input Pgrmable ISR
PT7716	3.1	3.6	20		1.075	1.85	SIP Module	32.01	20-A 1.075V to 1.85V 3.3V-Input Pgrmable ISR
PT6703	3.1	5.5	13		1.1	1.85	SIP Module	21.17	1.1 to 1.85V 5V/3.3V-Input 13Amp Pgrmable ISR
PT7602	3.1	3.6	10		1.3	2.05	SIP Module	26.25	1.3 to 2.05Vout 10Amp 3.3V-Input Pgrmable ISR
PT6702	3.1	3.6	13		1.3	2.05	SIP Module	21.17	1.3 to 2.05Vout 3.3V-Input 13Amp Pgrmable ISR, CU Case
PT7706	3.1	3.6	18		1.3	2.05	SIP Module	32.01	1.3 to 2.05Vout 18Amp 3.3V-Input "Big Hammer" Pgrmable ISR
PT7708	3.1	3.6	20		1.3	2.05	SIP Module	32.01	20 Amp 3.3V-Input Next Generation "Big Hammer" Pgrmable ISR
PT7712	3.1	3.6	20		1.3	2.05	SIP Module	32.01	20 Amp 3.3V-Input Next Generation "Big Hammer" Pgrmable ISR
PT7772	3.1	3.6	32		1.3	2.05	SIP Module	47.74	1.3 to 2.05Vout 32Amp 3.3V-Input "Sledge Hammer" Pgrmable ISR
PT7778	3.1	3.6	32		1.3	2.05	SIP Module	47.74	1.3 to 2.05Vout 32Amp 3.3V-Input "Sledge Hammer" Pgrmable ISR

\*Budgetary price per unit in U.S. dollars, lots of 1,000+

Preview devices announced but not yet in production appear in **BOLD**.

■ Plug-In Power Solutions—Non-Isolated—Single Positive Output (Continued)

Device Name	V <sub>IN</sub>		I <sub>O</sub> (A)	V <sub>O</sub> (V)	V <sub>adj Lo</sub> (V)	V <sub>adj Hi</sub> (V)	Package	Price*	Description	
	(min) (V)	(max) (V)								
<b>Sorted By</b>										
<b>3.3-V Bus Adjustable Only (Continued)</b>										
PT7713	3.1	3.6	20		1.8	2.55	SIP Module	32.01	20-A 1.8V to 2.55V 3.3V-Input Pgrmable ISR	
<b>3.3V Bus Current Boosters</b>										
PT7749	3.1	5.5	18	P**			SIP Module	29.84	18Amp "Current Booster" for the PT7700/PT7770 Series	
PT7742	3.1	3.6	20	P**			SIP Module	29.84	20 Amp "Current Booster" for PT7708 ISR	
PT7744	3.1	3.6	20	P**			SIP Module	29.84	20 Amp "Current Booster" for PT7712 ISR	
PT7740	3.1	3.6	32	P**			SIP Module	45.03	32Amp "Current Booster" for the PT7778 Regulator	
PT7746	3	5.5	32	P**			SIP Module	45.03	32Amp "Current Booster" for the PT7770 Series	
<b>5-V Bus</b>										
PT6308	4.5	6	3		1.2	1.11	1.37	SIP Module	14.00	1.2 Vout 3 Amp 5V-Input Adjustable Step-Down ISR
PT6408	4.5	5.5	3		1.2	1.1	1.4	SIP Module	14.00	1.2Vout 3A 5V-Input Adjustable Step-Down ISR
PT6428	4.5	5.5	3		1.2	1.1	1.4	SIP Module	14.65	1.2Vout 3A 5V-Input Adjustable Step-Down ISR
PT6404	4.5	5.5	3		1.5	1.3	1.8	SIP Module	14.00	1.5Vout 3A 5V-Input Adjustable Step-Down ISR
PT6424	4.5	5.5	3		1.5	1.3	1.8	SIP Module	14.65	1.5Vout 3A 5V-Input Adjustable Step-Down ISR
PT6306	4.5	9	3		1.8	1.35	2.27	SIP Module	14.00	1.8 Vout 3 Amp 5V-Input Adjustable Step-Down ISR
PT6406	4.5	5.5	3		1.8	1.5	2.2	SIP Module	14.00	1.8Vout 3A 5V-Input Adjustable Step-Down ISR
PT6426	4.5	5.5	3		1.8	1.5	2.2	SIP Module	14.65	1.8Vout 3A 5V-Input Adjustable Step-Down ISR
PT6307	4.5	9	3		2.1	1.58	2.65	SIP Module	14.00	2.1 Vout 3 Amp 5V-Input Adjustable Step-Down ISR
PT6407	4.5	5.5	3		2.1	1.8	2.6	SIP Module	14.00	2.1Vout 3A 5V-Input Adjustable Step-Down ISR
PT6427	4.5	5.5	3		2.1	1.8	2.6	SIP Module	14.65	2.1Vout 3A 5V-Input Adjustable Step-Down ISR
PT6409	4.5	5.5	3		2.5	2.1	3.1	SIP Module	14.00	2.5Vout 3A 5V-Input Adjustable Step-Down ISR
PT6429	4.5	5.5	3		2.5	2.1	3.1	SIP Module	14.65	2.5Vout 3A 5V-Input Adjustable Step-Down ISR
PT6503	4.5	6	8		2.5	1.8	3.5	SIP Module	24.08	2.5Vout 8A 5V-Input Adjustable ISR with Short-Circuit Protection
PT6603	4.5	6	9		2.5	1.8	3.5	SIP Module	17.47	2.5Vout 9A 5V-Input Adjustable ISR
PT6706	4.5	5.5	13		2.5	2.25	2.85	SIP Module	19.53	2.5Vout 13 Amp 5V-Input Adjustable ISR, CU Case
PT6716	4.5	5.5	13		2.5	2.25	2.85	SIP Module	19.53	2.5Vout 13 Amp 5V-Input Adjustable ISR, CU Case
PT5521	4.5	5.5	1.5		3.3	2.88	3.5	SIP Module	9.77	3.3V 1.5A 5V-Input Adjustable Step-Down ISR
PT5501	4.5	5.5	3		3.3	2.88	3.5	SIP Module	10.80	3.3Vout 3Amp 5V-Input Adjustable Step-Down ISR
PT6305	4.5	9	3		3.3	2.48	4.16	SIP Module	14.00	3.3 Vout 3 Amp 5V-Input Adjustable Step-Down ISR
PT6405	4.5	5.5	3		3.3	2.8	3.8	SIP Module	14.00	3.3Vout 3A 5V-Input Adjustable Step-Down ISR
PT6425	4.5	5.5	3		3.3	2.8	3.8	SIP Module	14.65	3.3Vout 3A 5V-Input Adjustable Step-Down ISR
PT6441	4.5	5.5	6		3.3	2.9	3.5	SIP Module	18.60	3.3Vout 6A 5V-Input Adjustable Step-Down ISR
PT6501	4.5	5.5	8		3.3	2.25	4.2	SIP Module	24.08	3.3Vout 8A 5V-Input Adjustable ISR with Short-Circuit Protection
PT6521	4.5	5.5	8		3.3	2.75	3.75	SIP Module	18.99	3.3Vout 8A 5V-Input Adjustable ISR with Short-Circuit Protection
PT6601	4.5	6	9		3.3	2.25	4.2	SIP Module	17.47	3.3Vout 9A 5V-Input Adjustable ISR
PT6705	4.5	5.5	13		3.3	2.75	3.75	SIP Module	19.53	3.3Vout 13 Amp 5V-Input Adjustable ISR, CU Case
PT6715	4.5	5.5	13		3.3	2.75	3.75	SIP Module	19.53	3.3Vout 13 Amp 5V-Input Adjustable ISR, CU Case
PT6504	4.8	6	8		3.6	2.5	4.3	SIP Module	24.08	3.6Vout 8A 5V-Input Adjustable ISR with Short-Circuit Protection

\*Budgetary price per unit in U.S. dollars, lots of 1,000+

\*\*P = Programmable

Preview devices announced but not yet in production appear in **BOLD**.

## ■ Plug-In Power Solutions—Non-Isolated—Single Positive Output (Continued)

Device Name	$V_{IN}$		Sorted By				Package	Price*	Description
	(min) (V)	(max) (V)	$I_O$ (A)	$V_O$ (V)	$V_{adj Lo}$ (V)	$V_{adj Hi}$ (V)			
<b>5-V Bus (Continued)</b>									
PT6604	4.8	6	9	3.6	2.5	4.3	SIP Module	17.47	3.6Vout 9A 5V-Input Adjustable ISR
PT5044	4.75	7	1.5	8			SIP Module	9.50	8Vout 1.5A 5V-Input Step-Up ISR
PT5045	4.75	8	1.25	9			SIP Module	9.50	9Vout 1.25A 5V-Input Step-Up ISR
PT6675	4.5	5.5	3	9	8.2	9.2	SIP Module	18.99	9Vout 5V-Input 27W Boost ISR
PT5046	4.75	9	1.2	10			SIP Module	9.50	10Vout 1.25A 5V-Input Step-Up ISR
PT5041	4.75	11	1	12			SIP Module	9.50	12Vout 1A 5V-Input Step-Up ISR
PT6674	4.5	5.5	2	12	9.6	12.8	SIP Module	18.99	12Vout 5V-Input 24W Boost ISR
PT5048	4.75	11.6	1	12.6			SIP Module	9.50	12.6Vout 1A 5V-Input Step-Up ISR
PT5042	4.75	14	0.75	15			SIP Module	9.50	15Vout 0.75A 5V-Input Step-Up ISR
PT5047	4.75	14	0.6	18			SIP Module	9.50	18Vout 0.6A 5V-Input Step-Up ISR
PT5049	4.75	14	0.5	20			SIP Module	9.50	20Vout 0.5A 5V-Input Step-Up ISR
<b>5-V Bus Adjustable Only</b>									
PT7773	4.5	5.5	32		0.8	3.1	SIP Module	47.74	0.8V to 3.1V 32 Amp High-Performance Pgrmable ISR
PT7775	4.5	5.5	32		0.8	3.1	SIP Module	47.74	0.8 to 3.1Vout 32Amp 5V-Input "Sledge Hammer" Pgrmable ISR
PT7615	4.5	5.5	20		1.075	1.85	SIP Module	32.01	1.075 to 1.85V 20-A 5V-Input Pgrmable ISR
PT7715	4.5	5.5	20		1.075	1.85	SIP Module	32.01	20-A 1.075V to 1.85V 5V-Input Pgrmable ISR
PT7601	4.5	5.5	10		1.3	3.5	SIP Module	26.25	1.3 to 3.5Vout 10Amp 5V-Input Pgrmable ISR
PT6701	4.5	5.5	13		1.3	3.5	SIP Module	21.17	1.3 to 3.5Vout 5V-Input 13Amp Pgrmable ISR, CU Case
PT7702	4.5	5.5	15		1.3	2.05	SIP Module	32.01	1.3V to 2.05V 15A 5V-Input "Big Hammer" Programmable ISR
PT7705	4.5	5.5	18		1.3	3.5	SIP Module	32.01	1.3 to 3.5Vout 18Amp 5V-Input "Big Hammer" Pgrmable ISR
PT7707	4.5	5.5	18		1.3	3.5	SIP Module	32.01	1.3 to 3.5Vout 18Amp 5V-Input "Big Hammer" Pgrmable ISR
PT7709	4.5	5.5	20		1.3	3.5	SIP Module	32.01	20 Amp 5V-Input Next Generation "Big Hammer" Pgrmable ISR
PT7711	4.5	5.5	20		1.3	3.5	SIP Module	32.01	20 Amp 5V-Input Next Generation "Big Hammer" Pgrmable ISR
PT7771	4.5	5.5	32		1.3	3.5	SIP Module	47.74	1.3 to 3.5Vout 32Amp 5V-Input "Sledge Hammer" Pgrmable ISR
PT7777	4.5	5.5	32		1.3	3.5	SIP Module	47.74	1.3 to 3.5Vout 32Amp 5V-Input "Sledge Hammer" Pgrmable ISR
PT7779	4.5	5.5	32		1.3	3.5	SIP Module	47.74	1.3 to 3.5Vout 32Amp 5V-Input "Sledge Hammer" Pgrmable ISR
PT7761	4.5	5.5	40		1.3	3.5	SIP Module	53.84	1.3V to 3.5V 40-A 5V-Input Pgrmable ISR
PT8001	4.5	5.5	60		1.3	3.5	SIP Module	102.81	1.3 to 3.5Vout 60 Amp 5V-Input Multiphase Pgrmable ISR
PT7701	4.5	5.5	15		2	3.5	SIP Module	32.01	2V to 3.5V 15A 5V-Input "Big Hammer" Pgrmable ISR
<b>5-V Bus Current Boosters</b>									
PT7741	4.5	5.5	32		P**		SIP Module	45.03	32Amp "Current Booster" for the PT7779 Regulator
PT7743	4.5	5.5	20		P**		SIP Module	29.84	20 Amp "Current Booster" for PT7709 ISR
PT7745	4.5	5.5	20		P**		SIP Module	29.84	20 Amp "Current Booster" for PT7711 ISR
<b>12-V Bus</b>									
PT6346	10.8	13.2	6	1.2	1.1	1.45	SIP Module	18.10	1.2V 6A, 12-V Input Adjustable Step-Down ISR
PT6729	10.8	13.2	14	1.2	1.09	1.52	SIP Module	19.53	1.2V 14A 12V-Input Adjustable ISR
PT6216	9	17	2	1.5	1.3	1.9	SIP Module	10.58	1.5Vout 2A Wide Input Adjustable Step-Down ISR

\*Budgetary price per unit in U.S. dollars, lots of 1,000+

\*\*P = Programmable

Preview devices announced but not yet in production appear in **BOLD**.

■ Plug-In Power Solutions—Non-Isolated—Single Positive Output (Continued)

Device Name	V <sub>IN</sub>		Sorted By				Package	Price*	Description
	(min) (V)	(max) (V)	I <sub>O</sub> (A)	V <sub>O</sub> (V)	V <sub>adj Lo</sub> (V)	V <sub>adj Hi</sub> (V)			
<b>12-V Bus (Continued)</b>									
PT6314	9	17	3	1.5	1.3	1.9	SIP Module	11.88	1.5Vout 3A Wide Input Adjustable Step-Down ISR
PT6345	10.8	13.2	6	1.5	1.45	2	SIP Module	18.08	1.5Vout 6A 12V-Input Adjustable Step-Down ISR
PT6622	9	16	6	1.5	1.4	2.7	SIP Module	18.99	1.5Vout 6A 12V-Input Adjustable ISR
PT6728	10.8	13.2	14	1.5	1.47	1.73	SIP Module	19.53	1.5Vout 14 Amp 12V-Input Adjustable ISR, CU Case
PT6344	10.8	13.2	6	1.8	1.7	2.3	SIP Module	18.08	1.8Vout 6A 12V-Input Adjustable Step-Down ISR
PT6627	9	16	6	1.8	1.5	3.2	SIP Module	18.99	1.8Vout 6A 12V-Input Adjustable ISR
PT6727	10.8	13.2	14	1.8	1.75	2	SIP Module	19.53	1.8Vout 14 Amp 12V-Input Adjustable ISR, CU Case
PT6343	10.8	13.2	6	2.5	2.2	3	SIP Module	18.08	2.5Vout 6A 12V-Input Adjustable Step-Down ISR
PT6623	9	16	6	2.5	1.9	3.7	SIP Module	18.99	2.5Vout 6A 12V-Input Adjustable ISR
PT6652	9	28	5	2.5	1.8	4.3	SIP Module	18.99	2.5Vout 5Ap 24V-Input Adjustable ISR
PT6726	10.8	13.2	14	2.5	2.75	2.85	SIP Module	19.53	2.5Vout 14 Amp 12V-Input Adjustable ISR, CU Case
78HT233	8	15	2	3.3			SIP Module	12.92	3.3Vout 2A Wide Input Positive Step-Down ISR
78ST133	7	26	1.5	3.3			SIP Module	10.80	3.3Vout 1.5A Wide Input Positive Step-Down ISR
78ST233	7	15	2	3.3			SIP Module	12.93	3.3Vout 2A Wide Input Positive Step-Down ISR
PT5103	9	26	1	3.3			SIP Module	7.33	3.3Vout 1A Wide Input Positive Step-Down ISR
PT5123	7	26	1	3.3			SIP Module	8.41	3.3V 1A Wide-Input Low Drop Out Step-Down ISR
PT6102	9	26	1	3.3	1.9	6	SIP Module	7.55	3.3Vout 1A Wide Input Adjustable Step-Down ISR
PT6122	7	26	1	3.3	1.9	6	SIP Module	8.63	3.3V 1A Wide-Input Low Drop Out Adjustable Step-Down ISR
PT6203	7	26	2	3.3	1.9	6	SIP Module	10.58	3.3Vout 2A Wide Input Positive Step-Down ISR
PT6213	9	26	2	3.3	1.9	6	SIP Module	10.58	3.3Vout 2A Wide Input Adjustable Step-Down ISR
PT6223	7	26	2	3.3	1.9	6	SIP Module	11.66	3.3V 2A Wide-Input Low Drop-Out Adjustable Step-Down ISR
PT6303	9	26	3	3.3	1.9	6	SIP Module	11.88	3.3Vout 3A Wide Input Adjustable Step-Down ISR
PT6323	7	26	3	3.3	1.9	6	SIP Module	12.97	3.3V 3A Wide-Input Low Drop-Out Adjustable Step-Down ISR
PT6342	10.8	13.2	6	3.3	2.8	3.8	SIP Module	18.08	3.3Vout 6A 12V-Input Adjustable Step-Down ISR
PT6621	9	16	6	3.3	2.3	4.5	SIP Module	18.99	3.3Vout 6A 12V-Input Adjustable ISR
PT6651	9	28	5	3.3	2.2	4.7	SIP Module	18.99	3.3Vout 5A 24V-Input Adjustable ISR
PT6725	10.8	13.2	13	3.3	2.75	3.75	SIP Module	19.53	3.3Vout 13A, 12V Input Adjustable ISR
PT78HT233	9	15	2	3.3			SIP Module	10.80	3.3Vout 2Amp Wide-Input Positive Step-Down ISR
PT78ST133	9	26	1.5	3.3			SIP Module	8.63	3.3Vout 1.5Amp Wide-Input Positive Step-Down ISR
78ST235	7	15	2	3.45			SIP Module	12.93	3.45Vout 2A Wide Input Positive Step-Down ISR
78ST136	7	26	1.5	3.6			SIP Module	10.80	3.6Vout 1.5A Wide Input Positive Step-Down ISR
PT6624	9	16	6	3.6	2.5	4.8	SIP Module	18.99	3.6Vout 6A 12V-Input Adjustable ISR
PT78ST136	9	26	1.5	3.6			SIP Module	8.63	3.6Vout 1.5Amp Wide-Input Positive Step-Down ISR
78HT205	8	28	2	5			SIP Module	12.92	5Vout 2A Wide Input Positive Step-Down ISR
78HT305	8	28	3	5			SIP Module	15.79	5Vout 3A Wide Input Positive Step-Down ISR
78SR105	7	30	1.5	5			SIP Module	10.80	5Vout 1.5A Wide Input Positive Step-Down ISR
78ST105	7	30	1.5	5			SIP Module	10.80	5Vout 1.5A Wide Input Positive Step-Down ISR

\*Budgetary price per unit in U.S. dollars, lots of 1,000+

Preview devices announced but not yet in production appear in **BOLD**.

## ■ Plug-In Power Solutions—Non-Isolated—Single Positive Output (Continued)

Device Name	$V_{IN}$		Sorted By				Package	Price*	Description
	(min) (V)	(max) (V)	$I_O$ (A)	$V_O$ (V)	$V_{adj Lo}$ (V)	$V_{adj Hi}$ (V)			
<b>12-V Bus (Continued)</b>									
78ST205	8	20	2	5			SIP Module	12.93	5Vout 2A Wide Input Positive Step-Down ISR
78ST305	8	20	3	5			SIP Module	15.79	5Vout 3Amp Wide Input Positive Step-Down ISR
PT5101	9	38	1	5			SIP Module	7.33	5Vout 1A Wide Input Positive Step-Down ISR
PT5121	7	38	1	5			SIP Module	8.41	5V 1A Wide-Input Low Drop Out Step-Down ISR
PT6101	9	38	1	5	1.9	11.3	SIP Module	7.55	5Vout 1A Wide Input Adjustable Step-Down ISR
PT6121	7	38	1	5	1.9	11.3	SIP Module	8.63	5V 1A Wide-Input Low Drop Out Adjustable Step-Down ISR
PT6202	7.25	30	2	5	2.2	8.5	SIP Module	10.58	5Vout 2A Wide Input Positive Step-Down ISR
PT6206	7.25	38	2	5	2.2	8.5	SIP Module	10.58	5V 2A, Wide-Input Adjustable Step-Down ISR
PT6212	9	38	2	5	2.2	8.5	SIP Module	10.58	5Vout 2A Wide Input Adjustable Step-Down ISR
PT6222	7	38	2	5	2.2	8.5	SIP Module	11.66	5V 2A Wide-Input Low Drop-Out Adjustable Step-Down ISR
PT6302	9	38	3	5	2.2	8.5	SIP Module	11.88	5Vout 3A Wide Input Adjustable Step-Down ISR
PT6322	7	38	3	5	2.2	8.5	SIP Module	12.97	5V 3A Wide-Input Low Drop-Out Adjustable Step-Down ISR
PT6341	10.8	13.2	6	5	4	5.5	SIP Module	18.08	5Vout 6A 12V-Input Adjustable Step-Down ISR
PT6625	9	16	6	5	2.9	6.5	SIP Module	18.99	5Vout 6A 12V-Input Adjustable ISR
PT6653	9	28	5	5	3	6.5	SIP Module	18.99	5Vout 5A 24V-Input Adjustable ISR
PT6724	10.8	13.2	13	5	4.01	5.47	SIP Module	19.53	5Vout 13A, 12V Input Adjustable ISR
PT78HT205	9	28	2	5			SIP Module	10.80	5Vout 2Amp Wide-Input Positive Step-Down ISR
PT78ST105	9	38	1.5	5			SIP Module	8.63	5Vout 1.5Amp Wide-Input Positive Step-Down ISR
PT6211	9.1	38	2	5.1	2.2	8.5	SIP Module	10.58	5.1Vout 2A Wide Input Adjustable Step-Down ISR
PT78ST151	9.1	38	1.5	5.1			SIP Module	8.63	5.1Vout 1.5Amp Wide-Input Positive Step-Down ISR
78HT253	8.25	28	2	5.25			SIP Module	12.92	5.25Vout 2A Wide Input Positive Step-Down ISR
78SR153	7.25	30	1.5	5.25			SIP Module	10.80	5.25Vout 1.5A Wide Input Positive Step-Down ISR
78ST153	7.25	30	1.5	5.25			SIP Module	10.80	5.25Vout 1.5Amp Wide-Input Positive Step-Down ISR
PT78HT253	9.25	28	2	5.25			SIP Module	10.80	5.25Vout 2Amp Wide-Input Positive Step-Down ISR
PT78ST153	9.25	38	1.5	5.25			SIP Module	8.63	5.25Vout 1.5Amp Wide-Input Positive Step-Down ISR
PT5109	9.6	38	1	5.6			SIP Module	7.33	5.6Vout 1A Wide Input Positive Step-Down ISR
78SR106	8	30	1.5	6			SIP Module	10.80	6Vout 1.5A Wide Input Positive Step-Down ISR
78ST106	8	30	1.5	6			SIP Module	10.80	6Vout 1.5A Wide Input Positive Step-Down ISR
PT78ST106	10	38	1.5	6			SIP Module	8.63	6Vout 1.5Amp Wide-Input Positive Step-Down ISR
78HT265	9.5	28	2	6.5			SIP Module	12.92	6.5Vout 2A Wide Input Positive Step-Down ISR
78ST165	8.5	30	1.5	6.5			SIP Module	10.80	6.5Vout 1.5A Wide Input Positive Step-Down ISR
PT5105	10.5	38	1	6.5			SIP Module	7.33	6.5Vout 1A Wide Input Positive Step-Down ISR
PT78HT265	10.5	28	2	6.5			SIP Module	10.80	6.5Vout 2Amp Wide-Input Positive Step-Down ISR
PT78ST165	10.5	38	1.5	6.5			SIP Module	8.63	6.5Vout 1.5Amp Wide-Input Positive Step-Down ISR
PT78ST107	11	38	1.5	7			SIP Module	8.63	7Vout 1.5Amp Wide-Input Positive Step-Down ISR
78SR174	9.15	30	1.5	7.15			SIP Module	10.80	7.15Vout 1.5A Wide Input Positive Step-Down ISR
PT78ST174	11.2	38	1.5	7.15			SIP Module	8.63	7.15Vout 1.5Amp Wide-Input Positive Step-Down ISR

\*Budgetary price per unit in U.S. dollars, lots of 1,000+

Preview devices announced but not yet in production appear in **BOLD**.

■ Plug-In Power Solutions—Non-Isolated—Single Positive Output (Continued)

Device Name	V <sub>IN</sub>		I <sub>O</sub> (A)	V <sub>O</sub> (V)	V <sub>adj Lo</sub> (V)	V <sub>adj Hi</sub> (V)	Package	Price*	Description
	(min) (V)	(max) (V)							
<b>Sorted By</b>									
<b>12-V Bus (Continued)</b>									
78SR108	10.25	30	1.5	8			SIP Module	10.80	8Vout 1.5A Wide Input Positive Step-Down ISR
78SR109	11.25	30	1.5	9			SIP Module	10.80	9Vout 1.5A Wide Input Positive Step-Down ISR
78ST109	11.25	30	1.5	9			SIP Module	10.80	9Vout 1.5A Wide Input Positive Step-Down ISR
PT6626	12	16	6	9	5.2	10	SIP Module	18.99	9Vout 6A 12V-Input Adjustable ISR
PT5071	7	16	1.5	12	10	15	SIP Module	21.17	12V 1.5A, 7V-16V Input Step-Up/Step-Down ISR
<b>12-V Bus Adjustable Only</b>									
PT8123	10.8	13.2	30		0.8	1.575	SIP Module	47.74	0.8V to 1.575V 30-A 12V-Input Multiphase Pgrmable ISR
PT8122	10.8	13.2	30		1.075	1.85	SIP Module	47.74	1.075V to 1.85V 30A, 12-V Input Multiphase Pgrmable ISR
PT6722	10.8	13.2	14		1.1	1.85	SIP Module	21.65	1.1 to 1.85V 14A 12V-Input Pgrmable ISR
PT6721	10.8	13.2	14		1.3	3.5	SIP Module	21.17	14 Amp 12V-Input Pgrmable ISR, CU Case
PT8121	10.8	13.2	30		1.3	3.5	SIP Module	47.74	1.3V to 3.5V 30-A 12V-Input Multiphase Pgrmable ISR
PT8139	10.8	13.2	30		1.7	4	SIP Module	47.74	1.7V to 4V 30A, 12-V Input Multiphase Pgrmable ISR
PT8125	10.8	13.2	28		4.5	7.6	SIP Module	47.74	4.5V to 7.6V 28A, 12-V Input Multiphase Pgrmable ISR
<b>24-V Bus</b>									
PT6682	18	36	5	2.5	1.8	4.3	SIP Module	18.99	2.5Vout 5 Amp 18-36V Input Adjustable Integrated Switching Regulator
PT6882	18	36	5	2.5	1.8	4.3	SIP Module	18.99	2.5Vout 5A 18-36V Input Adjustable ISR, CU Case
PT6681	18	36	5	3.3	2.2	4.7	SIP Module	18.99	3.3Vout 5 Amp 18-36V Input Adjustable Integrated Switching Regulator
PT6881	18	36	5	3.3	2.2	4.7	SIP Module	18.99	3.3Vout 5A 18-36V Input Adjustable ISR, CU Case
PT6683	18	36	5	5	3	6.5	SIP Module	18.99	5Vout 5 Amp 18-36V Input Adjustable Integrated Switching Regulator
PT6883	18	36	5	5	3	6.5	SIP Module	18.99	5Vout 5A 18-36V Input Adjustable ISR, CU Case
PT5112	12	38	1	8			SIP Module	7.33	8Vout 1A Wide Input Positive Step-Down ISR
PT6313	12	38	2	8			SIP Module	11.88	8V 2A Wide-Input Adjustable Step-Down ISR
PT78HT208	12	28	2	8			SIP Module	10.80	8Vout 2Amp Wide-Input Positive Step-Down ISR
PT78ST108	12	38	1.5	8			SIP Module	8.63	8Vout 1.5Amp Wide-Input Positive Step-Down ISR
PT5110	13	38	1	9			SIP Module	7.33	9Vout 1A Wide Input Positive Step-Down ISR
PT6654	12	28	5	9	6	10.2	SIP Module	18.99	9Vout 5A 24V-Input Adjustable ISR
PT6684	18	36	5	9	6	10.2	SIP Module	18.99	9Vout 5 Amp 18-36V Input Adjustable Integrated Switching Regulator
PT6884	18	36	5	9	6	10.2	SIP Module	18.99	9Vout 5A 18-36V Input Adjustable ISR, CU Case
PT78ST109	13	38	1.5	9			SIP Module	8.63	9Vout 1.5Amp Wide-Input Positive Step-Down ISR
78SR110	12.5	30	1.5	10			SIP Module	10.80	10Vout 1.5A Wide Input Positive Step-Down ISR
78ST110	12.5	30	1.5	10				Call	10Vout 1.5A Wide Input Positive Step-Down ISR
PT5111	14	38	1	10			SIP Module	7.33	10Vout 1A Wide Input Positive Step-Down ISR
PT78ST110	14	38	1.5	10			SIP Module	8.63	10Vout 1.5Amp Wide-Input Positive Step-Down ISR
78SR112	14.5	30	1.5	12			SIP Module	10.80	12Vout 1.5A Wide Input Positive Step-Down ISR
78ST112	14.5	30	1.5	12			SIP Module	10.80	12Vout 1.5A Wide Input Positive Step-Down ISR
78ST212	14.5	28	3	12			SIP Module	16.65	12Vout 2A Wide Input Positive Step-Down ISR
PT5102	16	38	1	12			SIP Module	7.33	12Vout 1A Wide Input Positive Step-Down ISR

\*Budgetary price per unit in U.S. dollars, lots of 1,000+

Preview devices announced but not yet in production appear in **BOLD**.

## ■ Plug-In Power Solutions—Non-Isolated—Single Positive Output (Continued)

Device Name	$V_{IN}$		Sorted By				Package	Price*	Description
	(min) (V)	(max) (V)	$I_O$ (A)	$V_O$ (V)	$V_{adj Lo}$ (V)	$V_{adj Hi}$ (V)			
<b>24-V Bus (Continued)</b>									
PT6103	16	38	1	12	2.45	22	SIP Module	7.55	12Vout 1A Wide Input Adjustable Step-Down ISR
PT6204	14.5	30	2	12	2.45	22	SIP Module	10.58	12Vout 2A Wide Input Positive Step-Down ISR
PT6214	16	38	2	12	2.45	22	SIP Module	10.58	12Vout 2A Wide Input Adjustable Step-Down ISR
PT6304	16	38	3	12	2.45	22	SIP Module	11.88	12Vout 3A Wide Input Adjustable Step-Down ISR
PT6656	15	28	5	12	9	13.6	SIP Module	18.99	12Vout 4A 24V-Input Adjustable ISR
PT6686	18	36	5	12	9	13.6	SIP Module	18.99	12Vout 5 Amp 18-36V Input Adjustable Integrated Switching Regulator
PT6886	18	36	5	12	9	13.6	SIP Module	18.99	12Vout 5A 18-36V Input Adjustable ISR, CU Case
PT78ST112	16	38	1.5	12			SIP Module	8.63	12Vout 1.5Amp Wide-Input Positive Step-Down ISR
PT78ST212	16	28	2	12			SIP Module	16.27	12Vout 2Amp 24V-Input Positive Step-Down ISR
78SR114	16.75	30	1.5	13.9			SIP Module	10.80	13.9Vout 1.5A Wide Input Positive Step-Down ISR
PT78ST114	17.9	38	1.5	13.9			SIP Module	8.63	13.9Vout 1.5Amp Wide-Input Positive Step-Down ISR
PT6310	18.6	38	2	14.6			SIP Module	14.50	14.6V 2A Wide-Input Adjustable Step-Down ISR
78SR115	17.75	30	1.5	15			SIP Module	10.80	15V 1.5A Wide-Input Positive Step-Down ISR
78ST115	17.75	30	1.5	15			SIP Module	10.80	15Vout 1.5Amp Wide Input Positive Step-Down ISR
PT5107	19	38	1	15			SIP Module	7.33	15Vout 1A Wide Input Positive Step-Down ISR
PT6312	19	38	2	15			SIP Module	11.88	15V 2A Wide-Input Adjustable Step-Down ISR
PT6655	18	28	4	15	10	17	SIP Module	18.99	15Vout 4A 24V-Input Adjustable ISR
PT6685	18	36	5	15	10	17	SIP Module	18.99	15Vout 5 Amp 18-36V Input Adjustable Integrated Switching Regulator
PT6885	18	36	5	15	10	17	SIP Module	18.99	15Vout 5A 18-36V Input Adjustable ISR, CU Case
PT78ST115	19	38	1.5	15			SIP Module	8.63	15Vout 1.5Amp Wide-Input Positive Step-Down ISR
PT6311	19.5	38	2	15.5	8	24	SIP Module	11.88	15.5V 2A Wide-Input Adjustable Step-Down ISR
PT5108	20.5	38	1	16.5			SIP Module	Call	16.5V 1A Wide-Input Positive Step-Down ISR
PT7751	20	28	15		2.5	5.6	SIP Module	39.61	2.5 to 5.6Vout 15Amp 24V-Input "Big Hammer III" Pgrmable ISR
PT7756	20	28	15		6.6	12.8	SIP Module	39.61	6.6 to 12.8Vout 15Amp 24V-Input "Big Hammer III" Pgrmable ISR
78ST200								Call	2A Wide Input Positive Step-Down ISR Family
PT7720								Call	17A Pgrmable ISR Family
<b>24-V Bus Current Booster</b>									
PT7747	20	28	15	P**			SIP Module	37.43	15Amp "Current Booster" for the PT7750 Series

\*Budgetary price per unit in U.S. dollars, lots of 1,000+

\*\*P = Programmable

Preview devices announced but not yet in production appear in **BOLD**.

■ Linear Regulation—Standard Voltage Regulators

Device Name	Sorted By		V <sub>O</sub> /V <sub>REF</sub> Tol Over Temp (%)	I <sub>O</sub> (max)	Min I <sub>O</sub> for Regulation (mA)	I <sub>q</sub> (max)	I <sub>adj</sub> (max)	V <sub>do</sub>		V <sub>IN</sub> (max)	V <sub>IN</sub> -V <sub>O</sub> (max)	Package	Price*	Description
	V <sub>O</sub> (V)	V <sub>O</sub> Adj (min) (V) (max) (V)						(max) (V)	(typ) (V)					
<b>Adjustable</b>														
LM237	-1.2	-37	4	1500	1.2		0.1	3		-40		TO/SOT,PFM	2.10	3-Terminal, 1.5A Adj Negative Voltage Reg
LM337	-1.2	-37	4	1500	1.5		0.1	3		-40		PFM,TO/SOT	1.12	3-Terminal, 1.5A Adj Negative Voltage Reg
TL317	1.2	35	4	100	1.5		0.1	2.5		35		SOIC,TO/SOT	0.42	3-Terminal, 100mA Adj Positive Voltage Reg
UA723	2	37	5	150		4		3		38		PDIP,SOIC,SOP	0.43	Adj, 150mA Precision Voltage Reg
LM317M	1.2	37	4	500	3.5		0.1	3		40		PFM,SOT	0.28	3-Terminal, 500mA Adj Positive Voltage Reg
LM317	1.2	37	4	1500	3.5		0.1	3		40		PFM,SOT,TO/SOT	0.32	3-Terminal, 1.5A Adj Positive Voltage Reg
TL783	1.25	125	2.3	700	15		0.11	20		125		TO/SOT	1.37	3-Terminal, 700mA, High-Voltage Adj Positive Reg
<b>Fixed</b>														
MC79L15	-15		10	100		6.5		2.5	1.7	-30		SOIC	0.20	15V, 100mA Fixed Negative Voltage Reg
MC79L15A	-15		5	100		6.5		2.5	1.7	-30		SOIC,TO/SOT	0.25	15V, 100mA Fixed Negative Voltage Reg
MC79L12A	-12		5	100		6.5		2.5	1.7	-27		SOIC,TO/SOT	0.20	12V, 100mA Fixed Negative Voltage Reg
UA79M08	-8		5	500		2		2.5	1.1	-25		PFM	0.38	8V, 500mA Fixed Negative Voltage Reg
MC79L05A	-5		5	100		6		2	1.7	-20		SOIC,TO/SOT	0.20	5V, 100mA Fixed Negative Voltage Reg
UA78L02A	2.6		5.8	100		6		2.15	1.7	20		SOIC,TO/SOT	0.20	2V, 100mA Fixed Positive Voltage Reg
UA78M33	3.3		6	500		6		2	2	25		PFM,SOT,TO/SOT	0.35	3.3 V, 500mA Fixed Positive-Voltage Regs
UA78L05	5		10	100		6		2	1.7	20		SOIC,SOT,TO/SOT	0.20	5V, 100mA Fixed Positive Voltage Reg
UA78L05A	5		5	100		6		2	1.7	20		SOIC,SOT,TO/SOT	0.20	5V, 100mA Fixed Positive Voltage Reg
UA78M05	5		5	500		6		2	2	25		PFM,SOT,TO/SOT	0.35	5V, 500mA Fixed Positive Voltage Reg
TL780-05	5		2	1500		8		2	2	25		PFM,TO/SOT	0.38	5V, 1.5A Fixed Positive V Reg (Upgrade For UA7805)
UA7805	5		5	1500		8		2	2	25		PFM,TO/SOT	0.35	5V, 1.5A Fixed Positive Voltage Reg
UA78M06	6		5	500		6		2	2	25		PFM	0.41	6V, 500mA Fixed Positive Voltage Reg
UA78L06A	6.2		5	100		6		2.3	1.7	20		SOT,TO/SOT	0.20	6V, 100mA Fixed Positive Voltage Reg
UA78L08	8		10	100		6		2.5	1.7	23		SOIC,SOT	0.20	8V, 100mA Fixed Positive Voltage Reg
UA78L08A	8		5	100		6		2.5	1.7	23		SOIC,SOT,TO/SOT	0.20	8V, 100mA Fixed Positive Voltage Reg
UA78M08	8		5	500		6		2.5	2	25		PFM,SOT,TO/SOT	0.35	8V, 500mA Fixed Positive Voltage Reg
UA7808	8		5	1500		8		2.5	2	25		PFM,TO/SOT	0.35	8V, 1.5A Fixed Positive Voltage Reg
UA78L09	9		10	100		6		3	1.7	24		TO/SOT	0.20	9V, 100mA Fixed Positive Voltage Reg
UA78L09A	9		5	100		6		3	1.7	24		SOIC,SOT,TO/SOT	0.20	9V, 100mA Fixed Positive Voltage Reg
UA78M09	9		5.6	500		6		2.5	2	26		PFM	0.41	9V, 500mA Fixed Positive Voltage Reg
UA78L10A	10		5	100		6		3	1.7	25		SOIC,SOT,TO/SOT	0.20	10V, 100mA Fixed Positive Voltage Reg
UA7810	10		5	1500		8		2.5	2	28		PFM,TO/SOT	0.35	10V, 1.5A Fixed Positive Voltage Reg
UA78L12A	12		5	100		6.5		2	1.7	27		SOIC,SOT,TO/SOT	0.20	12V, 100mA Fixed Positive Voltage Reg
UA78M12	12		5	500		6		2.5	2	30		PFM,TO/SOT	0.35	12V, 500mA Fixed Positive Voltage Reg
TL780-12	12		2	1500		8		2.5	2	30		TO/SOT	0.38	12V, 1.5A Fixed Positive V Reg (Upgrade For UA7812)
UA7812	12		5	1500		8		2.5	2	30		PFM,TO/SOT	0.35	12V, 1.5A Fixed Positive Voltage Reg
UA78L15A	15		5	100		6.5		2.5	1.7	30		SOIC,SOT,TO/SOT	0.20	15V, 100mA Fixed Positive Voltage Reg
TL780-15	15		2	1500		8		2.5	2	30		TO/SOT	0.38	15V, 1.5A Fixed Positive V Reg (Upgrade For UA7815)

\*Budgetary price per unit in U.S. dollars, lots of 1,000+

Preview devices announced but not yet in production appear in **BOLD**.



## ■ Linear Regulation—Low Dropout (LDO) Regulators—Fixed

Device Name	Sorted By		V <sub>IN</sub>		V <sub>do</sub>		I <sub>q</sub> (typ) (mA)	Tolerance (%)	Shutdown	Package	Price*	Description			
	I <sub>o</sub> (max) (mA)	V <sub>O1</sub> (nom) (V)	V <sub>O2</sub> (nom) (V)	(min) (V)	(max) (V)	(max) (V)							(typ) (V)		
<b>Fixed (I<sub>o</sub> ≤ 100 mA)</b>															
TPS77012	50	1.224		2.7	13.5			0.017	3	Yes	SOT23	0.34	Ultra Low-Power 50-mA LDO Linear Regulators		
TPS76912	100	1.224		2.7	13.5			0.017	3	Yes	SOT23	0.35	Ultra Low-Power 100-mA LDO Line Regulators		
TPS72215	50	1.5		1.8	5.5	0.1	0.15	0.1	2	Yes	SOT23	0.39	Cap Free, Low Noise, Low Input Voltage 150mA LDO		
TPS77015	50	1.5		2.7	13.5			0.017	3	Yes	SOT23	0.34	Ultra Low-Power 50-mA LDO Linear Regulators		
TPS79015	50	1.5		2.7	13.5			0.017	3	Yes	SOT23	0.34	Ultralow-Power, Low-Noise 50-mA LDO Linear Regulator		
TPS76915	100	1.5		2.7	13.5			0.017	3	Yes	SOT23	0.35	Ultra Low-Power 100-mA LDO Line Regulators		
TPS78915	100	1.5		2.7	13.5			0.017	3	Yes	SOT23	0.35	Ultralow-Power, Low-Noise 100-mA LDO Linear Regulators		
TPS72216	50	1.6		1.8	5.5	0.1	0.15	0.1	2	Yes	SOT23	0.39	Cap Free, Low Noise, Low Input Voltage 150mA LDO		
TPS79718	10	1.8			5.5			0.0012	4	No	SC70	0.32	10-mA, 1.8-V Micro-Power LDO Voltage Regulator in SC-70		
TPS72218	50	1.8		1.8	5.5	0.1	0.15	0.1	2	Yes	SOT23	0.39	Cap Free, Low Noise, Low Input Voltage 150mA LDO		
TPS77018	50	1.8		2.7	13.5			0.017	3	Yes	SOT23	0.34	Ultra Low-Power 50-mA LDO Linear Regulators		
TPS79018	50	1.8		2.7	13.5			0.017	3	Yes	SOT23	0.34	Ultralow-Power, Low-Noise 50-mA LDO Linear Regulator		
TPS76918	100	1.8		2.7	13.5			0.017	3	Yes	SOT23	0.35	Ultra Low-Power 100-mA LDO Line Regulators		
TPS78918	100	1.8		2.7	13.5			0.017	3	Yes	SOT23	0.35	Ultralow-Power, Low-Noise 100-mA LDO Linear Regulators		
TPS79118	100	1.8		2.7	5.5			38	170	2	Yes	SOT23	0.38	Ultra Low Noise, High PSRR, Fast RF, Low-Enable, 100mA LDO	
TPS71525	50	2.5		2.5	24			0.415	0.0043	4	No	SC70	0.32	50-mA, 2.5-V High Input-Voltage LDO Voltage Regulator in SC-70	
TPS77025	50	2.5		2.7	13.5			0.017	3	Yes	SOT23	0.34	Ultra Low-Power 50-mA LDO Linear Regulators		
TPS79025	50	2.5		2.7	13.5			0.017	3	Yes	SOT23	0.34	Ultralow-Power, Low-Noise 50-mA LDO Linear Regulator		
REG101-25	100	2.5		2.1	12			0.06	0.5	1.5	Yes	SOIC,SOT23	0.88	DMOS 100mA LDO Regulator	
TPS76925	100	2.5		2.7	13.5			0.017	3	Yes	SOT23	0.35	Ultra Low-Power 100-mA LDO Line Regulators		
TPS78925	100	2.5		2.7	13.5			0.017	3	Yes	SOT23	0.35	Ultralow-Power, Low-Noise 100-mA LDO Linear Regulators		
TPS79225	100	2.5		2.7	5.5			55	170	2	Yes	SOT23	0.38	Ultra Low Noise, High PSRR, Fast RF, High-Enable, 100mA LDO	
TPS77027	50	2.7		2.7	13.5			0.035	0.017	3	Yes	SOT23	0.34	Ultra Low-Power 50-mA LDO Linear Regulators	
TPS76927	100	2.7		2.7	13.5			0.070	0.017	3	Yes	SOT23	0.35	Ultra Low-Power 100-mA LDO Linear Regulators	
TPS77028	50	2.8		2.86	13.5			0.060	0.06	0.017	3	Yes	SOT23	0.34	Ultra Low-Power 50-mA LDO Linear Regulators
TPS79028	50	2.8		2.86	13.5			0.06	0.017	3	Yes	SOT23	0.34	Ultralow-Power, Low-Noise 50-mA LDO Linear Regulator	
REG101-28	100	2.8		2.1	12			0.06	0.5	1.5	Yes	SOIC,SOT23	0.88	DMOS 100mA LDO Regulator	
TPS76928	100	2.8		2.922	13.5			0.122	0.017	3	Yes	SOT23	0.35	Ultra Low-Power 100-mA LDO Line Regulators	
TPS78928	100	2.8		2.922	13.5			0.017	3	Yes	SOT23	0.35	Ultralow-Power, Low-Noise 100-mA LDO Linear Regulators		
TPS79228	100	2.8		2.7	5.5			55	170	2	Yes	SOT23	0.38	Ultra Low Noise, High PSRR, Fast RF, High-Enable, 100mA LDO	
REG101-285	100	2.85		2.1	12			0.06	0.5	1.5	Yes	SOIC,SOT23	0.88	DMOS 100mA LDO Regulator	
TPS79730	10	3			5.5			0.11	0.0012	4	No	SC70	0.32	10-mA, 3.0-V Micro-Power LDO Voltage Regulator in SC-70	
TPS76030	50	3		3.2	16			0.12	0.85	3	Yes	SOT23	0.34	Low-Power 50-mA LDO Regulator	
TPS77030	50	3		3.057	13.5			0.057	0.017	3	Yes	SOT23	0.34	Ultra Low-Power 50-mA LDO Linear Regulators	
TPS79030	50	3		3.057	13.5			0.057	0.017	3	Yes	SOT23	0.34	Ultralow-Power, Low-Noise 50-mA LDO Linear Regulator	
REG101-3	100	3		2.1	12			0.06	0.5	1.5	Yes	SOIC,SOT23	0.88	DMOS 100mA LDO Regulator	
TPS76130	100	3		3.35	16			0.17	2.6	3.6	Yes	SOT23	0.35	Low-Power 100-mA LDO Linear Regulator	

\*Budgetary price per unit in U.S. dollars, lots of 1,000+

Preview devices announced but not yet in production appear in **BOLD**.

■ Linear Regulation—Low Dropout (LDO) Regulators—Fixed (Continued)

Device Name	Sorted By		V <sub>O2</sub> (nom) (V)	V <sub>IN</sub> (min) (V) (max) (V)		V <sub>do</sub> (max) (V) (typ) (V)		I <sub>q</sub> (typ) (mA)	Tolerance (%)	Shutdown	Package	Price*	Description
	I <sub>O</sub> (max) (mA)	V <sub>O1</sub> (nom) (V)											
<b>Fixed (I<sub>O</sub> ≤ 100 mA) (Continued)</b>													
TPS76930	100	3		3.115	13.5	0.115	0.017	3	Yes	SOT23	0.35	Ultra Low-Power 100-mA LDO Line Regulators	
TPS78930	100	3		3.115	13.5	0.115	0.017	3	Yes	SOT23	0.35	Ultralow-Power, Low-Noise 100-mA LDO Linear Regulators	
TPS79230	100	3		2.7	5.5	55	170	2	Yes	SOT23	0.38	Ultra Low Noise, High PSRR, Fast RF, High-Enable, 100mA LDO	
TPS76032	50	3.2		3.4	16	0.12	0.85	3.1	Yes	SOT23	0.34	Low-Power 50-mA LDO Regulator	
TPS76132	100	3.2		3.58	16	0.17	2.6	3	Yes	SOT23	0.35	Low-Power 100-mA LDO Linear Regulator	
TPS79733	10	3.3			5.5	0.105	0.0012	4	No	SC70	0.32	10-mA, 3.3-V Micro-Power LDO Voltage Regulator in SC-70	
TPS71533	50	3.3		2.5	24	0.415	0.0043	4	No	SC70	0.32	50-mA, 3.3-V High Input-Voltage LDO Voltage Regulator in SC-70	
TPS76033	50	3.3		3.5	16	0.12	0.85	3	Yes	SOT23	0.34	Low-Power 50-mA LDO Regulator	
TPS77033	50	3.3		3.348	13.5	0.048	0.017	3	Yes	SOT23	0.34	Ultra Low-Power 50-mA LDO Linear Regulators	
REG101-33	100	3.3		2.1	12	0.06	0.5	1.5	Yes	SOIC,SOT23	0.88	DMOS 100mA LDO Regulator	
TPS76133	100	3.3		3.68	16	0.17	2.6	3	Yes	SOT23	0.35	Low-Power 100-mA LDO Linear Regulator	
TPS76933	100	3.3		3.398	13.5	0.098	0.017	3	Yes	SOT23	0.35	Ultra Low-Power 100-mA LDO Line Regulators	
TPS79133	100	3.3		2.7	5.5	38	170	2	Yes	SOT23	0.38	Ultra Low Noise, High PSRR, Fast RF, Low-Enable, 100mA LDO	
TPS76038	50	3.8		4	16	0.12	0.85	2.6	Yes	SOT23	0.34	Low-Power 50-mA LDO Regulator	
TPS76138	100	3.8		4.18	16	0.17	2.6	3	Yes	SOT23	0.35	Low-Power 100-mA LDO Linear Regulator	
TPS79147	100	4.7		2.7	5.5	38	170	2	Yes	SOT23	0.38	Ultra Low Noise, High PSRR, Fast RF, Low-Enable, 100mA LDO	
TPS76050	50	5		5.2	16	0.12	0.85	2	Yes	SOT23	0.34	Low-Power 50-mA LDO Regulator	
TPS77050	50	5		5.035	13.5	0.035	0.017	3	Yes	SOT23	0.34	Ultra Low-Power 50-mA LDO Linear Regulators	
REG101-5	100	5		2.1	12	0.06	0.5	1.5	Yes	SOIC,SOT23	0.88	DMOS 100mA LDO Regulator	
TPS76150	100	5		5.38	16	0.17	2.6	2.8	Yes	SOT23	0.35	Low-Power 100-mA LDO Linear Regulator	
TPS76950	100	5		5.071	13.5	0.071	0.017	3	Yes	SOT23	0.35	Ultra Low-Power 100-mA LDO Line Regulators	
TPS76901-Q1										SOT23	0.46	Ultralow-Power 100-mA Low-Dropout Linear Regulators	
TPS76912-Q1										SOT23	0.46	Ultralow-Power 100-mA Low-Dropout Linear Regulators	
TPS76915-Q1										SOT23	0.46	Ultralow-Power 100-mA Low-Dropout Linear Regulators	
TPS76918-Q1										SOT23	0.46	Ultralow-Power 100-mA Low-Dropout Linear Regulators	
TPS76925-Q1										SOT23	0.46	Ultralow-Power 100-mA Low-Dropout Linear Regulators	
TPS76927-Q1										SOT23	0.46	Ultralow-Power 100-mA Low-Dropout Linear Regulators	
TPS76928-Q1										SOT23	0.46	Ultralow-Power 100-mA Low-Dropout Linear Regulators	
TPS76930-Q1										SOT23	0.46	Ultralow-Power 100-mA Low-Dropout Linear Regulators	
TPS76933-Q1										SOT23	0.46	Ultralow-Power 100-mA Low-Dropout Linear Regulators	
<b>Fixed (I<sub>O</sub> &gt; 100 mA, ≤ 250 mA)</b>													
UCC388	200	1.25		2.5	9	0.2	0.01	1.5	Yes	SOIC,TSSOP	1.58	LDO 200mA Linear Regulator	
TPS72115	150	1.5		1.8	5.5	0.3	0.15	2	Yes	SOT23	0.42	Cap Free, Low-Noise, Low Input Voltage, 150mA LDO	
TPS76515	150	1.5		2.7	13.5		0.035	3	Yes	SOIC,TSSOP	0.48	Ultra-Low-Quiescent-Current 150-mA LDO Linear Regulators	
TPS77115	150	1.5		2.7	13.5		0.092	2	Yes	MSOP	0.56	Fast-Transient-Response 150-mA LDO W/Reset, MSOP-8 Pkg	
TPS77215	150	1.5		2.7	13.5		0.092	2	Yes	MSOP	0.54	150mA LDO Regulator and Power Good output in MSOP8 Pkg	

\*Budgetary price per unit in U.S. dollars, lots of 1,000+

Preview devices announced but not yet in production appear in **BOLD**.

## ■ Linear Regulation—Low Dropout (LDO) Regulators—Fixed (Continued)

Device Name	Sorted By		V <sub>IN</sub>		V <sub>do</sub>		I <sub>q</sub> (typ) (mA)	Tolerance (%)	Shutdown	Package	Price*	Description		
	I <sub>o</sub> (max) (mA)	V <sub>O1</sub> (nom) (V)	V <sub>O2</sub> (nom) (V)	(min) (V)	(max) (V)	(max) (V)							(typ) (V)	
<b>Fixed (I<sub>o</sub> &gt; 100 mA, ≤ 250 mA) (Continued)</b>														
TPS7415	200	1.5		2.5	7			1.3	3	Yes	SOIC	0.56	Internally Compensated Ultra-Fast Transient Response 200-mA Low-Voltage LDO	
TPS76615	250	1.5		2.7	13.5			0.035	3	Yes	SOIC,TSSOP	0.61	Ultra-Low Quiescent Current 250-mA LDO Linear Regulators	
TPS77315	250	1.5		2.7	13.5			0.092	2	Yes	MSOP	0.65	250mA LDO Regulator and SVS in MSOP8 Pkg	
TPS77415	250	1.5		2.7	13.5			0.092	2	Yes	MSOP	0.65	250mA LDO Regulator and Power Good output in MSOP8 Pkg	
TPS72116	150	1.6		1.8	5.5	0.3	0.15	0.1	2	Yes	SOT23	0.42	Cap Free, Low-Noise, Low Input Voltage, 150mA LDO	
TPS76316	150	1.6		2.7	10			0.085	4	Yes	SOT23	0.34	Low-Power 150-mA LDO Linear Regulator	
TPS77316	250	1.6		2.7	13.5			0.092	2	Yes	MSOP	0.65	Fast Transient Response 250-mA LDO Voltage Regulator W/Reset, MSOP-8 Pkg	
TPS72118	150	1.8		1.8	5.5	0.3	0.15	0.1	2	Yes	SOT23	0.42	Cap Free, Low-Noise, Low Input Voltage, 150mA LDO	
TPS76318	150	1.8		2.7	10			0.085	3.7	Yes	SOT23	0.34	Low-Power 150-mA LDO Linear Regulator	
TPS76518	150	1.8		2.7	13.5			0.035	3	Yes	SOIC,TSSOP	0.48	Ultra-Low-Quiescent-Current 150-mA LDO Linear Regulators	
TPS77118	150	1.8		2.7	13.5			0.092	2	Yes	MSOP	0.56	Fast-Transient-Response 150-mA LDO W/Reset, MSOP-8 Pkg	
TPS77218	150	1.8		2.7	13.5			0.092	2	Yes	MSOP	0.54	Fast-Transient-Response 150-mA LDO W/Power Good, MSOP-8 Pkg	
TPS7418	200	1.8		2.5	7			1.3	3	Yes	SOIC	0.56	Internally Compensated Ultra-Fast Transient Response 200-mA Low-Voltage LDO	
TPS79318	200	1.8		2.7	5.5			120	170	2	Yes	SOT23	0.40	Ultra Low Noise, High PSRR, Fast RF, High-Enable, 200mA LDO
TPS76618	250	1.8		2.7	13.5			0.035	3	Yes	SOIC,TSSOP	0.61	Ultra-Low Quiescent Current 250-mA LDO Linear Regulators	
TPS77318	250	1.8		2.7	13.5			0.092	2	Yes	MSOP	0.65	Fast Transient Response 250-mA LDO Voltage Regulator W/Reset, MSOP-8 Pkg	
TPS77418	250	1.8		2.7	13.5			0.092	2	Yes	MSOP	0.65	Fast Transient Response 250-mA LDO Voltage Regulator W/Power Good, MSOP-8 Pkg	
TPS77918	250	1.8		2.7	13.5			0.092	2	Yes	MSOP	0.65	250mA LDO Regulator and SVS in MSOP8 Pkg, Enable High	
TPS76325	150	2.5		2.7	10			0.085	3.7	Yes	SOT23	0.34	Low-Power 150-mA LDO Linear Regulator	
TPS76425	150	2.5		2.7	10			0.36	0.085	3.7	Yes	SOT23	0.34	Low-Power 150-mA Low-Noise LDO Linear Regulator
TPS76525	150	2.5		2.7	13.5			0.035	3	Yes	SOIC,TSSOP	0.48	Ultra-Low-Quiescent-Current 150-mA LDO Linear Regulators	
TPS78825	150	2.5			10			0.15	0.017	0.04	Yes	SOT23	0.36	150-mA, 2.5-V, Low-Noise LDO w/ In-Rush Current Ctrl for USB Applications
TPS7425	200	2.5		3	7			1.3	3	Yes	SOIC	0.56	Internally Compensated Ultra-Fast Transient Response 200-mA Low-Voltage LDO	
TPS79325	200	2.5		2.7	5.5			120	170	2	Yes	SOT23	0.40	Ultra Low Noise, High PSRR, Fast RF, High-Enable, 200mA LDO
REG102-25	250	2.5		2.1	12			0.15	0.6	1.5	Yes	SOIC,SOP,SOT23	1.00	DMOS 250 mA LDO Regulator
TPS7225	250	2.5		3.06	11			0.56	0.18	2	Yes	PDIP,SOIC,TSSOP	0.56	µPower Very LDO PMOS Adjustable Voltage Regulator
TPS76625	250	2.5		2.7	13.5			0.035	3	Yes	SOIC,TSSOP	0.61	Ultra-Low Quiescent Current 250-mA LDO Linear Regulators	
TPS77925	250	2.5		2.7	13.5			0.092	2	Yes	MSOP	0.65	Fast-Transient-Response 250-mA LDO Voltage Reg with Reset	

\*Budgetary price per unit in U.S. dollars, lots of 1,000+

Preview devices announced but not yet in production appear in **BOLD**.

■ Linear Regulation—Low Dropout (LDO) Regulators—Fixed (Continued)

Device Name	Sorted By		V <sub>IN</sub>		V <sub>do</sub>		I <sub>q</sub> (typ) (mA)	Tolerance (%)	Shutdown	Package	Price*	Description	
	I <sub>O</sub> (max) (mA)	V <sub>O1</sub> (nom) (V)	V <sub>O2</sub> (nom) (V)	(min) (V)	(max) (V)	(max) (V)							(typ) (V)
<b>Fixed (I<sub>O</sub> &gt; 100 mA, ≤ 250 mA) (Continued)</b>													
TPS76327	150	2.7		3.045	10		0.345	0.085	3.75	Yes	SOT23	0.34	Low-Power 150-mA LDO Linear Regulator
TPS76427	150	2.7		3.045	10		0.36	0.085	3.7	Yes	SOT23	0.34	Low-Power 150-mA Low-Noise LDO Linear Regulator
TPS76527	150	2.7		2.7	13.5			0.035	3	Yes	SOIC,TSSOP	0.48	Ultra-Low-Quiescent-Current 150-mA LDO Linear Regulators
TPS77127	150	2.7		2.7	13.5			0.092	2	Yes	MSOP	0.56	Fast-Transient-Response 150-mA LDO W/Reset, MSOP-8 Pkg
TPS77227	150	2.7		2.7	13.5			0.092	2	Yes	MSOP	0.54	Fast-Transient-Response 150-mA LDO W/Power Good, MSOP-8 Pkg
TPS76627	250	2.7		2.7	13.5			0.035	3	Yes	SOIC,TSSOP	0.61	Ultra-Low Quiescent Current 250-mA LDO Linear Regulators
TPS77327	250	2.7		2.7	13.5			0.092	2	Yes	MSOP	0.65	Fast Transient Response 250-mA LDO Voltage Regulator W/Reset, MSOP-8 Pkg
TPS77427	250	2.7		2.7	13.5			0.092	2	Yes	MSOP	0.65	Fast Transient Response 250-mA LDO Voltage Regulator W/Power Good, MSOP-8 Pkg
TPS76328	150	2.8		3.149	10		0.339	0.085	3.75	Yes	SOT23	0.34	Low-Power 150-mA LDO Linear Regulator
TPS76428	150	2.8		3.149	10		0.36	0.085	3.8	Yes	SOT23	0.34	Low-Power Low-Noise 150-mA LDO Linear Regulator
TPS76528	150	2.8		2.89	13.5		0.19	0.035	3	Yes	SOIC,TSSOP	0.48	Ultra-Low-Quiescent-Current 150-mA LDO Linear Regulators
TPS77128	150	2.8		2.95	13.5		0.15	0.092	2	Yes	MSOP	0.56	Fast-Transient-Response 150-mA LDO W/Reset, MSOP-8 Pkg
TPS77228	150	2.8		2.95	13.5		0.15	0.092	2	Yes	MSOP	0.54	Fast-Transient-Response 150-mA LDO W/Power Good, MSOP-8 Pkg
TPS79328	200	2.8		2.7	5.5		120	170	2	Yes	SOT23	0.40	Ultra Low Noise, High PSRR, Fast RF, High-Enable, 200mA LDO
REG102-28	250	2.8		2.1	12		0.15	0.6	1.5	Yes	SOIC,SOP,SOT23	1.00	DMOS 250 mA LDO Regulator
TPS76628	250	2.8		3.11	13.5		0.31	0.035	3	Yes	SOIC,TSSOP	0.61	Ultra-Low Quiescent Current 250-mA LDO Linear Regulators
TPS77328	250	2.8		3.07	13.5		0.27	0.092	2	Yes	MSOP	0.65	Fast Transient Response 250-mA LDO Voltage Regulator W/Reset, MSOP-8 Pkg
TPS77428	250	2.8		3.07	13.5		0.27	0.092	2	Yes	MSOP	0.65	Fast Transient Response 250-mA LDO Voltage Regulator W/Power Good, MSOP-8 Pkg
<b>TPS79428</b>	<b>250</b>	<b>2.8</b>		<b>2.7</b>	<b>5.5</b>		<b>130</b>	<b>170</b>	<b>2</b>	<b>Yes</b>	<b>MSOP,SOP</b>	<b>Call</b>	<b>Ultra-Low Noise, High PSRR, Fast RF, High Enab, 250-mA LDO</b>
TPS793285	200	2.85		2.7	5.5		120	170	2	Yes	SOT23	0.40	Ultra Low Noise, High PSRR, Fast RF, High-Enable, 200mA LDO
REG102-285	250	2.85		2.1	12		0.15	0.6	1.5	Yes	SOIC,SOP,SOT23	1.00	DMOS 250 mA LDO Regulator
TPS76330	150	3		3.322	10		0.322	0.085	3.75	Yes	SOT23	0.34	Low-Power 150-mA LDO Linear Regulator
TPS76430	150	3		3.322	10		0.36	0.085	3.8	Yes	SOT23	0.34	Low-Power 150-mA Low-Noise LDO Linear Regulator
TPS76530	150	3		3.16	13.5		0.16	0.035	3	Yes	SOIC,TSSOP	0.48	Ultra-Low-Quiescent-Current 150-mA LDO Linear Regulators
TPS7430	200	3		3.17	7		0.17	1.3	3	Yes	SOIC	0.56	Internally Compensated Ultra-Fast Transient Response 200-mA Low-Voltage LDO
TPS79330	200	3		2.7	5.5		112	170	2	Yes	SOT23	0.40	Ultra Low Noise, High PSRR, Fast RF, High-Enable, 200mA LDO
REG102-3	250	3		2.1	12		0.15	0.6	1.5	Yes	SOIC,SOP,SOT23	1.00	DMOS 250 mA LDO Regulator
TPS7230	250	3		3.69	11		0.39	0.18	2	Yes	PDIP,SOIC,TSSOP	0.56	µPower Very LDO PMOS Adjustable Voltage Regulator
TPS76630	250	3		3.31	13.5		0.31	0.035	3	Yes	SOIC,TSSOP	0.61	Ultra-Low Quiescent Current 250-mA LDO Linear Regulators

\*Budgetary price per unit in U.S. dollars, lots of 1,000+

Preview devices announced but not yet in production appear in **BOLD**.

## ■ Linear Regulation—Low Dropout (LDO) Regulators—Fixed (Continued)

Device Name	Sorted By		V <sub>IN</sub>		V <sub>do</sub>		I <sub>q</sub> (typ) (mA)	Tolerance (%)	Shutdown	Package	Price*	Description
	I <sub>O</sub> (max) (mA)	V <sub>O1</sub> (nom) (V)	V <sub>O2</sub> (nom) (V)	(min) (V)	(max) (V)	(max) (V)						
<b>Fixed (I<sub>O</sub> &gt; 100 mA, ≤ 250 mA) (Continued)</b>												
TPS77930	250	3		3.5	13.5	0.2	0.092	2	Yes	MSOP	0.65	Fast-Transient-Response 250-mA LDO Voltage Reg with Reset
TPS76333	150	3.3		3.3	10	0.3	0.085	3.7	Yes	SOT23	0.34	Low-Power 150-mA LDO Linear Regulator
TPS76433	150	3.3		3.3	10	0.3	0.085	3.7	Yes	SOT23	0.34	Low-Power 150-mA Low-Noise LDO Linear Regulator
TPS76533	150	3.3		3.44	13.5	0.14	0.035	3	Yes	SOIC,TSSOP	0.48	Ultra-Low-Quiescent-Current 150-mA LDO Linear Regulators
TPS77133	150	3.3		3.415	13.5	0.115	0.092	2	Yes	MSOP	0.56	Fast-Transient-Response 150-mA LDO W/Reset, MSOP-8 Pkg
TPS77233	150	3.3		3.415	13.5	0.115	0.092	2	Yes	MSOP	0.54	Fast-Transient-Response 150-mA LDO W/Power Good, MSOP-8 Pkg
TPS78833	150	3.3			10	0.15	0.017	0.04	Yes	SOT23	0.36	150-mA, 3.3-V, Low-Noise LDO w/ In-Rush Current Ctrl for USB Applications
TPS7433	200	3.3		3.48	7	0.18	1.3	3	Yes	SOIC	0.56	Internally Compensated Ultra-Fast Transient Response 200-mA Low-Voltage LDO
UCC386	200	3.3		3.5	9	0.2	0.01	1.5	Yes	TSSOP	1.43	LDO 200mA Linear Regulator
REG102-33	250	3.3		2.1	12	0.15	0.6	1.5	Yes	SOIC,SOP,SOT23	1.00	DMOS 250 mA LDO Regulator
TPS70745	250	3.3	1.2	3.383	7	0.083	0.19	2	Yes	HTSSOP	1.92	Dual-Output LDO Voltage Regulator with Power Up Sequencing
TPS70748	250	3.3	1.5	3.383	7	0.083	0.19	2	Yes	HTSSOP	1.92	Dual-Output LDO Voltage Regulator with Power Up Sequencing
TPS70751	250	3.3	1.8	3.383	7	0.083	0.19	2	Yes	HTSSOP	1.92	Dual-Output LDO Voltage Regulator with Power Up Sequencing
TPS70758	250	3.3	2.5	3.383	7	0.083	0.19	2	Yes	HTSSOP	1.92	Dual-Output LDO Voltage Regulator with Power Up Sequencing
TPS70845	250	3.3	1.2	3.383	7	0.083	0.19	2	Yes	HTSSOP	1.92	Dual-Output LDO with SVS and Independent Enables
TPS70848	250	3.3	1.5	3.383	7	0.083	0.19	2	Yes	HTSSOP	1.92	Dual-Output LDO with SVS and Independent Enables
TPS70851	250	3.3	1.8	3.383	7	0.083	0.19	2	Yes	HTSSOP	1.92	Dual-Output LDO with SVS and Independent Enables
TPS70858	250	3.3	2.5	3.383	7	0.083	0.19	2	Yes	HTSSOP	1.92	Dual-Output LDO with SVS and Independent Enables
TPS7233	250	3.3		3.66	11	0.36	0.18	2	Yes	PDIP,SOIC,TSSOP	0.56	µPower Very LDO PMOS Voltage Regulator
TPS76633	250	3.3		3.53	13.5	0.23	0.035	3	Yes	SOIC	0.61	Ultra-Low Quiescent Current 250-mA LDO Linear Regulators
TPS77333	250	3.3		3.5	13.5	0.2	0.092	2	Yes	MSOP	0.65	Fast Transient Response 250-mA LDO Voltage Regulator W/Reset, MSOP-8 Pkg
TPS77433	250	3.3		3.5	13.5	0.2	0.092	2	Yes	MSOP	0.65	Fast Transient Response 250-mA LDO Voltage Regulator W/Power Good, MSOP-8 Pkg
<b>TPS79433</b>	<b>250</b>	<b>3.3</b>		<b>2.7</b>	<b>5.5</b>	<b>125</b>	<b>170</b>	<b>2</b>	<b>Yes</b>	<b>SOT23</b>	<b>Call</b>	<b>Ultra-Low Noise, High PSRR, Fast RF, High Enab, 250-mA LDO</b>
TPS76338	150	3.8		4.064	10	0.264	0.085	3.5	Yes	SOT23	0.34	Low-Power 150-mA LDO Linear Regulator
TPS793475	200	4.75		2.7	5.5	80	170	2	Yes	SOT23	0.40	Ultra Low Noise, High PSRR, Fast RF, High-Enable, 200mA LDO
TPS7248	250	4.85		5.016	11	0.216	0.18	2	Yes	PDIP,SOIC,TSSOP	0.56	µPower Very LDO PMOS Voltage Regulator
TL750L05	150	5		6	26	0.6	10	4	No	SOIC,TO/SOT	0.63	LDO Voltage Regulator
TL751L05	150	5		6	26	0.6	10	4	Yes	SOIC	0.98	LDO Pnp, Low Current Voltage Regulator with Shutdown
TPS76350	150	5		5.18	10	0.18	0.085	4	Yes	SOT23	0.34	Low-Power 150-mA LDO Linear Regulator
TPS76550	150	5		5.085	13.5	0.085	0.035	3	Yes	SOIC,TSSOP	0.48	Ultra-Low-Quiescent-Current 150-mA LDO Linear Regulators
TPS77150	150	5		5.075	13.5	0.075	0.092	2	Yes	MSOP	0.56	Fast-Transient-Response 150-mA LDO W/Reset, MSOP-8 Pkg

\*Budgetary price per unit in U.S. dollars, lots of 1,000+

Preview devices announced but not yet in production appear in **BOLD**.

■ Linear Regulation—Low Dropout (LDO) Regulators—Fixed (Continued)

Device Name	Sorted By		V <sub>IN</sub>		V <sub>do</sub>		I <sub>q</sub> (typ) (mA)	Tolerance (%)	Shutdown	Package	Price*	Description
	I <sub>O</sub> (max) (mA)	V <sub>O1</sub> (nom) (V)	V <sub>O2</sub> (nom) (V)	(min) (V)	(max) (V)	(max) (V)						
<b>Fixed (I<sub>O</sub> &gt; 100 mA, ≤ 250 mA) (Continued)</b>												
TPS77250	150	5	5.075	13.5	0.075	0.092	2	Yes	MSOP	0.54	150mA LDO Regulator and Power Good output in MSOP8 Pkg	
UCC387	200	5	5.2	9	0.2	0.01	1.5	Yes	SOIC,TSSOP	1.58	LDO 200mA Linear Regulator	
REG102-5	250	5	2.1	12	0.15	0.6	1.5	Yes	SOIC,SOP,SOT23	1.00	DMOS 250 mA LDO Regulator	
TPS7250	250	5	5.16	11	0.19	0.18	2	Yes	PDIP,SOIC,TSSOP	0.56	µPower Very LDO PMOS Voltage Regulator	
TPS76650	250	5	5.14	13.5	0.14	0.035	3	Yes	SOIC,TSSOP	0.61	Ultra-Low Quiescent Current 250-mA LDO Linear Regulators	
TPS77350	250	5	5.125	13.5	0.075	0.092	2	Yes	MSOP	0.65	250mA LDO and SVS in MSOP8 Pkg	
TPS77450	250	5	5.125	13.5	0.125	0.092		Yes	MSOP	0.65	250mA LDO Regulator and Power Good Output in MSOP8 Pkg	
TL750L08	150	8	9	26	0.6	10	4	No	SOIC,TO/SOT	0.76	LDO Pnp, Low Current Voltage Regulator	
TL750L10	150	10	11	26	0.6	10	4	No	SOIC,TO/SOT	0.76	LDO Pnp, Low Current Voltage Regulator	
TL751L10	150	10	11	26	0.6	10	4	Yes	PDIP,SOIC	0.88	LDO Pnp, Low Current Voltage Regulator with Shutdown	
TL750L12	150	12	13	26	0.6	10	4	No	SOIC,TO/SOT	0.76	LDO Pnp, Low Current Voltage Regulator	
TL751L12	150	12	13	26	0.6	10	4	Yes	SOIC	0.98	LDO Pnp, Low Current Voltage Regulator with Shutdown	
<b>Fixed (I<sub>O</sub> &gt; 250 mA, ≤ 500 mA)</b>												
UCC284-12	500	-12	-12.5	-16	-0.15	0.2	2	Yes	SOIC	2.67	LDO 0.5A Negative Linear Regulator	
UCC384-12	500	-12	-12.05	-16	0.15	0.2	2	Yes	SOIC	1.86	LDO 0.5A Negative Linear Regulator	
UCC284-5	500	-5	-5.2	-16	0.2	0.2	2	Yes	SOIC	2.67	LDO 0.5A Negative Linear Regulator	
UCC384-5	500	-5	-5.02	-16	0.2	0.2	2	Yes	SOIC	1.86	LDO 0.5A Negative Linear Regulator	
TPS77515	500	1.5	2.7	13.5		0.085	2	Yes	HTSSOP,SOIC	0.87	Fast-Transient-Response 500-mA LDO Voltage Regs	
TPS77615	500	1.5	2.7	13.5		0.085	2	Yes	HTSSOP,SOIC	0.83	Fast-Transient-Response 500-mA LDO Voltage Regulator	
TPS77516	500	1.6	2.7	13.5		0.085	2	Yes	HTSSOP,SOIC	0.87	500-mA, 1.6-V Fast-Transient-Response LDO Regulator w/Reset	
<b>TPS79516</b>	<b>500</b>	<b>1.6</b>	<b>2.7</b>	<b>5.5</b>	<b>100</b>	<b>280</b>	<b>2</b>	<b>Yes</b>	<b>MSOP</b>	<b>Call</b>	<b>Ultra-Low Noise, High PSRR, Fast RF, High-Enab, 500mA LDO</b>	
TPS77518	500	1.8	2.7	13.5		0.085	2	Yes	HTSSOP,SOIC	0.87	Fast-Transient-Response 500-mA LDO Voltage Regs	
TPS77618	500	1.8	2.7	13.5		0.085	2	Yes	HTSSOP,SOIC	0.83	Fast-Transient-Response 500-mA LDO Voltage Regulator	
<b>TPS79518</b>	<b>500</b>	<b>1.8</b>	<b>2.7</b>	<b>5.5</b>	<b>100</b>	<b>280</b>	<b>2</b>	<b>Yes</b>		<b>Call</b>	<b>Ultra-Low Noise, High PSRR, Fast RF, High-Enab, 500mA LDO</b>	
REG113-25	400	2.5		12	0.25	0.85	1.5	Yes	MSOP,SOT23	1.04	DMOS 400mA Low-Dropout Regulator	
REG103-25	500	2.5	2.7	15	0.115	1	2	Yes	SFM,SOIC,SOP	2.00	DMOS 500mA LDO Regulator	
TPS71025	500	2.5	2.97	11	0.33	0.292	2	Yes	PDIP,SOIC,TSSOP	1.17	LDO Voltage Regulator	
TPS7325	500	2.5	2.97	11	0.27	0.34	2	Yes	PDIP,SOIC,TSSOP	0.99	LDO Voltage Regulator with Integrated Delayed Reset Function	
TPS77525	500	2.5	2.7	13.5		0.085	2	Yes	HTSSOP,SOIC	0.87	Fast-Transient-Response 500-mA LDO Voltage Regs	
TPS77625	500	2.5	2.7	13.5		0.085	2	Yes	HTSSOP,SOIC	0.83	Fast-Transient-Response 500-mA LDO Voltage Regulator	
<b>TPS79525</b>	<b>500</b>	<b>2.5</b>	<b>2.7</b>	<b>5.5</b>	<b>90</b>	<b>280</b>	<b>2</b>	<b>Yes</b>		<b>Call</b>	<b>Ultra-Low Noise, High PSRR, Fast RF, High Enab 500-mA LDO</b>	
REG103-27	500	2.7	2.7	15	0.115	1	2	Yes	SFM,SOIC,SOP	2.00	DMOS 500mA LDO Regulator	
TPS77628	500	2.8	3.085	13.5	0.285	0.085	2	Yes	HTSSOP,SOIC	0.83	Fast-Transient-Response 500-mA LDO Voltage Regulator	
REG113-285	400	2.85		12	0.25	0.85	1.5	Yes	MSOP,SOT23	1.04	DMOS 400mA Low-Dropout Regulator	
REG113-3	400	3		12	0.25	0.85	1.5	Yes	MSOP,SOT23	1.04	DMOS 400mA Low-Dropout Regulator	
REG103-3	500	3	2.7	15	0.115	1	2	Yes	SFM,SOIC,SOP	2.00	DMOS 500mA LDO Regulator	

\*Budgetary price per unit in U.S. dollars, lots of 1,000+

Preview devices announced but not yet in production appear in **BOLD**.

## ■ Linear Regulation—Low Dropout (LDO) Regulators—Fixed (Continued)

Device Name	Sorted By		V <sub>IN</sub>		V <sub>do</sub>		I <sub>q</sub> (typ) (mA)	Tolerance (%)	Shutdown	Package	Price*	Description	
	I <sub>O</sub> (max) (mA)	V <sub>O1</sub> (nom) (V)	V <sub>O2</sub> (nom) (V)	(min) (V)	(max) (V)	(max) (V)							(typ) (V)
<b>Fixed (I<sub>O</sub> &gt; 250 mA, ≤ 500 mA) (Continued)</b>													
TPS7330	500	3		3.267	11		0.267	0.34	2	Yes	PDIP,SOIC,TSSOP	0.99	LDO Voltage Regulator with Integrated Delayed Reset Function
<b>TPS79530</b>	<b>500</b>	<b>3</b>		<b>2.7</b>	<b>5.5</b>		<b>80</b>	<b>280</b>	<b>2</b>	<b>Yes</b>		<b>Call</b>	<b>Ultra-Low Noise, High PSRR, Fast RF, High Enab 500-mA LDO</b>
REG113-33	400	3.3			12		0.25	0.85	1.5	Yes	MSOP,SOT23	1.04	DMOS 400mA Low-Dropout Regulator
REG103-33	500	3.3		2.7	15		0.115	1	2	Yes	SFM,SOIC,SOP	2.00	DMOS 500mA LDO Regulator
TLV2217-33	500	3.3		3.8	12	0.5	0.4	19	1	No	PFM,TO/SOT,TSSOP	0.63	LDO 3.3-V PnP Fixed Voltage Regulator
TPS70145	500	3.3	1.2	3.47	7		0.17	0.19	2	Yes	HTSSOP	2.17	Dual-Output LDO Voltage Regulators
TPS70148	500	3.3	1.5	3.47	7		0.17	0.19	2	Yes	HTSSOP	2.17	Dual-Output LDO Voltage Regulators
TPS70151	500	3.3	1.8	3.47	7		0.17	0.19	2	Yes	HTSSOP	2.17	Dual-Output LDO Voltage Regulators
TPS70158	500	3.3	2.5	3.47	7		0.17	0.19	2	Yes	HTSSOP	2.17	Dual-Output LDO Voltage Regulators
TPS70245	500	3.3	1.2	3.47	7		0.17	0.19	2	Yes	HTSSOP	2.17	Dual-Output LDO Voltage Regulator
TPS70248	500	3.3	1.5	3.47	7		0.17	0.19	2	Yes	HTSSOP	2.17	Dual-Output LDO Voltage Regulator
TPS70251	500	3.3	1.8	3.47	7		0.17	0.19	2	Yes	HTSSOP	2.17	Dual-Output LDO Voltage Regulator
TPS70258	500	3.3	2.5	3.47	7		0.17	0.19	2	Yes	HTSSOP	2.17	Dual-Output LDO Voltage Regulator
TPS7133	500	3.3		3.54	11		0.238	0.285	2	Yes	PDIP,SOIC,TSSOP	1.17	Lowest Dropout (LDO) PMOS Voltage Regulator
TPS71H33	500	3.3		3.54	11		0.235	0.285	2	Yes	HTSSOP	2.08	LDO Voltage Regulator
TPS7333	500	3.3		3.535	11		0.235	0.34	2	Yes	PDIP,SOIC,TSSOP	0.99	Lowest Dropout (LDO) PMOS Voltage Regulator with Integrated Supply Voltage Supervisor
TPS77533	500	3.3		3.469	13.5		0.169	0.085	2	Yes	HTSSOP,SOIC	0.87	Fast-Transient-Response 500-mA LDO Voltage Regs
TPS77633	500	3.3		3.469	13.5		0.169	0.085	2	Yes	HTSSOP,SOIC	0.83	Fast-Transient-Response 500-mA LDO Voltage Regulator
<b>TPS79533</b>	<b>500</b>	<b>3.3</b>		<b>2.7</b>	<b>5.5</b>		<b>80</b>	<b>280</b>	<b>2</b>	<b>Yes</b>		<b>Call</b>	<b>Ultra-Low Noise, High PSRR, Fast RF, High Enab 500-mA LDO</b>
TPS7148	500	4.85		4.95	11		0.15	0.285	2	Yes	PDIP,SOIC,TSSOP	1.17	Lowest Dropout (LDO) PMOS Voltage Regulator
TPS71H48	500	4.85		4.95	11		0.15	0.285	2	Yes	HTSSOP	2.08	LDO Voltage Regulator
TPS7348	500	4.85		4.95	11		0.15	0.34	2	Yes	PDIP,SOIC,TSSOP	0.99	Lowest Dropout (LDO) PMOS Voltage Regulator with Integrated Supply Voltage Supervisor
REG113-5	400	5			12		0.25	0.85	1.5	Yes	MSOP,SOT23	1.04	DMOS 400mA Low-Dropout Regulator
REG103-5	500	5		2.7	15		0.16	1	2	Yes	SFM,SOIC,SOP	2.00	DMOS 500mA LDO Regulator
TPS7150	500	5		5.146	11		0.146	0.285	2	Yes	HTSSOP,PDIP,SOIC,TSSOP	1.17	Lowest Dropout (LDO) PMOS Voltage Regulator
TPS71H50	500	5		5.146	11		0.146	0.285	2	Yes	TSSOP	2.08	LDO Voltage Regulator
TPS7350	500	5		5.14	11		0.14	0.34	2	Yes	PDIP,SOIC,TSSOP	0.99	Lowest Dropout (LDO) PMOS Voltage Regulator with Integrated Supply Voltage Supervisor
<b>Fixed (I<sub>O</sub> &gt; 500 mA, ≤ 1 A)</b>													
TPS77715	750	1.5		2.7	13.5			0.085	2	Yes	HTSSOP,SOIC	0.96	Fast-Transient-Response 750-mA LDO Voltage Regs
TPS77815	750	1.5		2.7	13.5			0.085	2	Yes	HTSSOP,SOIC	0.92	Fast-Transient-Response 750-mA LDO Voltage Regs
TPS72515	1000	1.5		1.8	5.5		0.31	0.21	2	Yes	SFM,SOP	1.04	Low Input Voltage, Any Cap, 1-A Low-Dropout Linear Regulator with Supervisor

\*Budgetary price per unit in U.S. dollars, lots of 1,000+

Preview devices announced but not yet in production appear in **BOLD**.

■ Linear Regulation—Low Dropout (LDO) Regulators—Fixed (Continued)

Device Name	Sorted By		V <sub>IN</sub>		V <sub>do</sub>		I <sub>q</sub> (typ) (mA)	Tolerance (%)	Shutdown	Package	Price*	Description		
	I <sub>o</sub> (max) (mA)	V <sub>O1</sub> (nom) (V)	V <sub>O2</sub> (nom) (V)	(min) (V)	(max) (V)	(max) (V)							(typ) (V)	
<b>Fixed (I<sub>o</sub> &gt; 500 mA, ≤ 1 A) (Continued)</b>														
TPS76715	1000	1.5		2.7	13.5			0.085	2	Yes	HTSSOP,SOIC	1.04	Fast-Transient-Response 1-A LDO Voltage Regulator	
TPS76815	1000	1.5		2.7	13.5			0.085	2	Yes	HTSSOP,SOIC	1.00	μPower LDO Voltage Regulator	
<b>TPS72516</b>	<b>1000</b>	<b>1.6</b>		<b>1.8</b>	<b>5.5</b>			<b>0.28</b>	<b>0.21</b>	<b>2</b>	<b>Yes</b>	<b>SFM,SOP</b>	<b>1.04</b>	<b>Low Input Voltage, Any Cap, 1-A Low-Dropout Linear Regulator with Supervisor</b>
TPS77718	750	1.8		2.7	13.5			0.085	2	Yes	HTSSOP,SOIC	0.96	Fast-Transient-Response 750-mA LDO Voltage Regs	
TPS77818	750	1.8		2.7	13.5			0.085	2	Yes	HTSSOP,SOIC	0.92	Fast-Transient-Response 750-mA LDO Voltage Regs	
REG1117A-18	1000	1.8			15		1.2	4	2	No	SFM,SOT	0.81	800mA and 1A LDO Positive Regulator 1.8V, 2.5V, 2.85V, 3.3V, 5V, and Adj	
TPS72518	1000	1.8		1.8	5.5		0.21	0.21	2	Yes	SFM,SOP	1.04	Low Input Voltage, Any Cap, 1-A Low-Dropout Linear Regulator with Supervisor	
TPS76718	1000	1.8		2.7	13.5			0.085	2	Yes	HTSSOP,SOIC	1.04	Fast-Transient-Response 1-A LDO Voltage Regulator	
TPS767D318	1000	1.8		3.65	13.5		0.35	0.17	2	Yes	HTSSOP	1.87	Dual-Output LDO Voltage Regulators	
TPS76818	1000	1.8		2.7	13.5			0.085	2	Yes	HTSSOP,SOIC	1.00	μPower LDO Voltage Regulator	
TPS77725	750	2.5		2.7	13.5			0.085	2	Yes	HTSSOP,SOIC	0.96	Fast-Transient-Response 750-mA LDO Voltage Regs	
TPS77825	750	2.5		2.7	13.5			0.085	2	Yes	HTSSOP,SOIC	0.92	Fast-Transient-Response 750-mA LDO Voltage Regs	
REG104-25	1000	2.5		2.7	15		0.23	1.7	2	Yes	SFM,SOP	2.22	DMOS 1A LDO Regulator	
REG1117A-25	1000	2.5			15		1.2	4	2	No	SFM,SOT	0.81	800mA and 1A LDO Positive Regulator 1.8V, 2.5V, 2.85V, 3.3V, 5V, and Adj	
TPS72525	1000	2.5		1.8	5.5		0.17	0.21	2	Yes	SFM,SOP	1.04	Low Input Voltage, Any Cap, 1-A Low-Dropout Linear Regulator with Supervisor	
TPS76725	1000	2.5		2.7	13.5			0.085	2	Yes	HTSSOP,SOIC	1.04	Fast-Transient-Response 1-A LDO Voltage Regulator	
TPS767D325	1000	2.5		3.65	13.5		0.35	0.17	2	Yes	HTSSOP,TSSOP	1.87	Dual-Output LDO Voltage Regulators	
TPS76825	1000	2.5		2.7	13.5			0.085	2	Yes	HTSSOP,SOIC	1.00	μPower LDO Voltage Regulator	
<b>TPS79625</b>	<b>1000</b>	<b>2.5</b>		<b>2.7</b>	<b>5.5</b>		<b>90</b>	<b>210</b>	<b>2</b>	<b>Yes</b>	<b>SOP</b>	<b>Call</b>	<b>Ultra-Low Noise, High PSRR, Fast RF, High-Enable, 1A LDO</b>	
REG104-27	1000	2.7		2.7	15		0.23	1.7	2	Yes	SFM,SOP	2.22	DMOS 1A LDO Regulator	
TPS76727	1000	2.7		2.7	13.5			0.085	2	Yes	HTSSOP,SOIC	1.04	Fast-Transient-Response 1-A LDO Voltage Regulator	
TPS76827	1000	2.7		2.7	13.5			0.085	2	Yes	HTSSOP,SOIC	1.00	Fast-Transient-Response 1-A LDO Voltage Regulator	
TPS76728	1000	2.8		3.3	13.5		0.5	0.085	2	Yes	HTSSOP,SOIC	1.04	Fast-Transient-Response 1-A LDO Voltage Regulator	
TPS76828	1000	2.8		3.3	13.5		0.5	0.085	2	Yes	HTSSOP,SOIC	1.00	Fast-Transient-Response 1-A LDO Voltage Regulators	
TL-SCSI285	620	2.85		3.55	5.5	0.8		37	1	No	TO/SOT,TSSOP	1.54	Fixed-Voltage Regulators For SCSI Active Termination	
REG1117-285	800	2.85			15		1.1	4	2	No	SOT	0.73	800mA and 1A LDO Positive Regulator 1.8V, 2.5V, 2.85V, 3.3V, 5V, and Adj	
REG1118	800	2.85			7		1.1	3	2	No	SOT	0.88	800mA LDO Positive Regulator with Current Source and Sink Capability	
REG104-3	1000	3		2.7	15		0.23	1.7	2	Yes	SFM,SOP	2.22	DMOS 1A LDO Regulator	
TPS76730	1000	3		3.45	13.5		0.45	0.085	2	Yes	HTSSOP,SOIC	1.04	Fast-Transient-Response 1-A LDO Voltage Regulator	

\*Budgetary price per unit in U.S. dollars, lots of 1,000+

Preview devices announced but not yet in production appear in **BOLD**.



## ■ Linear Regulation—Low Dropout (LDO) Regulators—Fixed (Continued)

Device Name	Sorted By		V <sub>IN</sub>		V <sub>do</sub>		I <sub>q</sub> (typ) (mA)	Tolerance (%)	Shutdown	Package	Price*	Description	
	I <sub>O</sub> (max) (mA)	V <sub>O1</sub> (nom) (V)	V <sub>O2</sub> (nom) (V)	(min) (V)	(max) (V)	(max) (V)							(typ) (V)
<b>Fixed (I<sub>O</sub> &gt; 500 mA, ≤ 1 A) (Continued)</b>													
TPS76830	1000	3		3.45	13.5	0.45	0.085	2	Yes	HTSSOP,SOIC	1.00	µPower LDO Voltage Regulator	
<b>TPS79630</b>	<b>1000</b>	<b>3</b>		<b>2.7</b>	<b>5.5</b>	<b>80</b>	<b>200</b>	<b>2</b>	<b>Yes</b>	<b>SOP</b>	<b>Call</b>	<b>Ultra-Low Noise, High PSRR, Fast RF, High-Enable, 1A LDO</b>	
TPS73HD301	750	3.3		3.653	11	0.353	0.68	3	Yes	HTSSOP	2.10	Dual-Output LDO Regulator	
TPS73HD318	750	3.3	1.8	3.653	11	0.353	0.68	2	Yes	HTSSOP	2.10	Dual Output LDO Voltage Regulator	
TPS73HD325	750	3.3	2.5	3.653	11	0.353	0.68	2	Yes	HTSSOP,TSSOP	2.10	Dual Output LDO Voltage Regulator	
TPS77733	750	3.3		3.56	13.5	0.26	0.085	2	Yes	HTSSOP,SOIC	0.96	Fast-Transient-Response 750-mA LDO Voltage Regs	
TPS77833	750	3.3		3.56	13.5	0.26	0.085	2	Yes	HTSSOP,SOIC	0.92	Fast-Transient-Response 750-mA LDO Voltage Regs	
REG1117-33	800	3.3			15	1.1	4	2	No	SFM,SOT	0.73	800mA and 1A LDO Positive Regulator 1.8V, 2.5V, 2.85V, 3.3V, 5V, and Adj	
REG104-33	1000	3.3		2.7	15	0.23	1.7	2	Yes	SFM,SOP	2.22	DMOS 1A LDO Regulator	
TPS76733	1000	3.3		3.65	13.5	0.35	0.085	2	Yes	HTSSOP,SOIC	1.04	Fast-Transient-Response 1-A LDO Voltage Regulator	
TPS767D301	1000	3.3		3.65	13.5	0.35	0.17	2	Yes	HTSSOP	1.87	Dual-Output LDO Voltage Regulators	
TPS76833	1000	3.3		3.65	13.5	0.35	0.085	2	Yes	HTSSOP,SOIC	1.00	µPower LDO Voltage Regulator	
<b>TPS79633</b>	<b>1000</b>	<b>3.3</b>		<b>2.7</b>	<b>5.5</b>	<b>80</b>	<b>200</b>	<b>2</b>	<b>Yes</b>	<b>SOP</b>	<b>Call</b>	<b>Ultra-Low Noise, High PSRR, Fast RF, High-Enable, 1A LDO</b>	
UCC381-3	1000	3.3		3.9	9	0.6	0.4	1.5	Yes	SOIC	2.30	Low Power 1 Ampere LDO Regulator	
TL751M05	750	5		6	26	0.6	0.5	60	2	Yes	PFM,TO/SOT	0.69	LDO Pnp, High Current Voltage Regulators with Shutdown
REG1117-5	800	5			15	1.1	4	2	No	SOT	0.73	800mA and 1A LDO Positive Regulator 1.8V, 2.5V, 2.85V, 3.3V, 5V, and Adj	
REG104-5	1000	5		2.7	15	0.32	1.7	2	Yes	SFM,SOP	2.22	DMOS 1A LDO Regulator	
REG1117A-5	1000	5			15	1.2	4	2	No	SFM	1.17	800mA and 1A LDO Positive Regulator 1.8V, 2.5V, 2.85V, 3.3V, 5V, and Adj	
TPS76750	1000	5		5.23	13.5	0.23	0.085	2	Yes	HTSSOP,SOIC	1.04	Fast-Transient-Response 1-A LDO Voltage Regulator	
TPS76850	1000	5		5.23	13.5	0.23	0.085	2	Yes	HTSSOP,SOIC	1.00	µPower LDO Voltage Regulator	
UCC281-5	1000	5		5.6	9	0.6	0.4	2.5	Yes	SOIC	3.53	Low Power 1 Ampere LDO Regulator	
UCC381-5	1000	5		5.6	9	0.6	0.4	1.5	Yes	SOIC	2.30	Low Power 1 Ampere LDO Regulator	
<b>Fixed (I<sub>O</sub> &gt; 1 A)</b>													
TPS75115	1500	1.5		2.7	5.5		0.075	2	Yes	HTSSOP	1.52	Fast-Transient-Response 1.5-A LDO Voltage Regulator	
TPS75315	1500	1.5		2.7	5.5		0.075	2	Yes	HTSSOP	1.61	Fast-Transient-Response 1.5-A LDO Voltage Regulators	
TPS75215	2000	1.5		2.7	5.5		0.075	2	Yes	HTSSOP	1.71	Fast-Transient-Response 2-A LDO Voltage Regulator	
TPS75415	2000	1.5		2.7	5.5		0.075	2	Yes	HTSSOP	1.65	Fast-Transient-Response 2-A LDO Voltage Regulator	
TPS75715	3000	1.5		2.8	6		0.125	3	Yes	SFM,TO/SOT	2.57	Very LDO 1.5 Volt Output 3A LDO with Power Good Output	
TPS75815	3000	1.5		2.8	5.5	0.15	0.125	3	Yes	SFM,TO/SOT	2.57	3-A, Fast-Transient Response, 1.5-V LDO Voltage Regulator	
TPS75515	5000	1.5		2.8	6		0.125	3	Yes	SFM,TO/SOT	2.83	Very LDO 1.5-Volt 5A LDO with Power Good Output	
TPS75615	5000	1.5		2.8	5.5	0.25	0.125	3	Yes	SFM	2.83	5-A, Fast-Transient Response, 1.5-V LDO Voltage Regulator	
TPS75915	7500	1.5		2.8	6		0.125	3	Yes	SFM,TO/SOT	3.04	1.5-V Fixed Output 7.5-A LDO Regulator with Power Good	
TPS75118	1500	1.8		2.7	5.5		0.075	2	Yes	HTSSOP	1.52	Fast-Transient-Response 1.5-A LDO Voltage Regulator	

\*Budgetary price per unit in U.S. dollars, lots of 1,000+

Preview devices announced but not yet in production appear in **BOLD**.

■ Linear Regulation—Low Dropout (LDO) Regulators—Fixed (Continued)

Device Name	Sorted By		V <sub>O2</sub> (nom) (V)	V <sub>IN</sub>		V <sub>do</sub>		I <sub>q</sub> (typ) (mA)	Tolerance (%)	Shutdown	Package	Price*	Description
	I <sub>O</sub> (max) (mA)	V <sub>O1</sub> (nom) (V)		(min) (V)	(max) (V)	(max) (V)	(typ) (V)						
<b>Fixed (I<sub>O</sub> &gt; 1 A) (Continued)</b>													
TPS75318	1500	1.8		2.7	5.5			0.075	2	Yes	HTSSOP	1.61	Fast-Transient-Response 1.5-A LDO Voltage Regulators
<b>TPS78618</b>	<b>1500</b>	<b>1.8</b>		<b>2.7</b>	<b>5.5</b>			<b>100</b>	<b>2</b>	<b>Yes</b>		<b>Call</b>	<b>Ultra-Low Noise, High PSRR, Fast RF, High-Enab, 1.5A LDO</b>
TPS75218	2000	1.8		2.7	5.5			0.075	2	Yes	HTSSOP	1.71	Fast-Transient-Response 2-A LDO Voltage Regulator
TPS75418	2000	1.8		2.7	5.5			0.075	2	Yes	HTSSOP	1.65	Fast-Transient-Response 2-A LDO Voltage Regulator
TPS75718	3000	1.8		2.8	6			0.125	3	Yes	SFM,TO/SOT	2.57	Very LDO 1.8 Volt Output 3A LDO with Power Good Output
TPS75818	3000	1.8		2.8	5.5		0.15	0.125	3	Yes	SFM,TO/SOT	2.57	3-A, Fast-Transient Response, 1.8-V LDO Voltage Regulator
TPS75518	5000	1.8		2.8	6			0.125	3	Yes	SFM,TO/SOT	2.83	Very LDO 1.8-Volt 5A LDO with Power Good Output
TPS75618	5000	1.8		2.8	5.5		0.25	0.125	3	Yes	SFM,TO/SOT	2.83	5-A, Fast-Transient Response, 1.8-V LDO Voltage Regulator
TPS75918	7500	1.8		2.8	6			0.125	3	Yes	SFM,TO/SOT	3.04	1.8-V Fixed Output 7.5-A LDO Regulator with Power Good
UC382-2	3000	2.1		2.45	7.5			18	1	No	SFM,TO/SOT	4.13	Fast Transient Response 3 Ampere LDO Regulator
UC385-2	5000	2.1		2.45	7.5			40	1	No	SFM,TO/SOT	5.00	Fast Transient Response 5 Ampere LDO Regulator
TPS75125	1500	2.5		2.7	5.5			0.075	2	Yes	HTSSOP	1.52	Fast-Transient-Response 1.5-A LDO Voltage Regulator
TPS75325	1500	2.5		2.7	5.5			0.075	2	Yes	HTSSOP	1.61	Fast-Transient-Response 1.5-A LDO Voltage Regulators
<b>TPS78625</b>	<b>1500</b>	<b>2.5</b>		<b>2.7</b>	<b>5.5</b>			<b>90</b>	<b>2</b>	<b>Yes</b>		<b>Call</b>	<b>Ultra-Low Noise, High PSRR, Fast RF, High-Enab, 1.5A LDO</b>
TPS75225	2000	2.5		2.7	5.5			0.075	2	Yes	HTSSOP	1.71	Fast-Transient-Response 2-A LDO Voltage Regulator
TPS75425	2000	2.5		2.7	5.5			0.075	2	Yes	HTSSOP	1.65	Fast-Transient-Response 2-A LDO Voltage Regulator
TPS75725	3000	2.5		2.8	6		0.2	0.125	3	Yes	SFM,TO/SOT	2.57	Very LDO 2.5 Volt Output 3A LDO with Power Good Output
TPS75825	3000	2.5		2.8	5.5		0.15	0.125	3	Yes	SFM,TO/SOT	2.57	3-A, Fast-Transient Response, 2.5-V LDO Voltage Regulator
UC282-3	3000	2.5		2.85	7.5			18	1	No	SFM	4.74	Fast Transient Response 3 Ampere LDO Regulator
UC382-3	3000	2.5		2.85	7.5			18	1	No	SFM,TO/SOT	4.13	Fast Transient Response 3 Ampere LDO Regulator
TPS75525	5000	2.5		2.8	6		0.29	0.125	3	Yes	SFM,TO/SOT	2.83	Very LDO 2.5-Volt 5A LDO with Power Good Output
TPS75625	5000	2.5		2.8	5.5		0.25	0.125	3	Yes	SFM,TO/SOT	2.83	5-A, Fast-Transient Response, 2.5-V LDO Voltage Regulator
UC385-3	5000	2.5		2.85	7.5			40	1	No	SFM,TO/SOT	5.00	Fast Transient Response 5 Ampere LDO Regulator
TPS75925	7500	2.5		2.92	6			0.125	3	Yes	SFM,TO/SOT	3.04	2.5-V Fixed Output 7.5-A LDO Regulator with Power Good
<b>TPS78628</b>	<b>1500</b>	<b>2.8</b>		<b>2.7</b>	<b>5.5</b>			<b>90</b>	<b>2</b>	<b>Yes</b>		<b>Call</b>	<b>Ultra-Low Noise, High PSRR, Fast RF, High-Enab, 1.5A LDO</b>
<b>TPS78630</b>	<b>1500</b>	<b>3</b>		<b>2.7</b>	<b>5.5</b>			<b>80</b>	<b>2</b>	<b>Yes</b>		<b>Call</b>	<b>Ultra-Low Noise, High PSRR, Fast RF, High-Enab, 1.5A LDO</b>
TPS75133	1500	3.3		3.46	5.5		0.16	0.075	2	Yes	HTSSOP	1.52	Fast-Transient-Response 1.5-A LDO Voltage Regulator
TPS75333	1500	3.3		3.46	5.5		0.16	0.075	2	Yes	HTSSOP	1.61	Fast-Transient-Response 1.5-A LDO Voltage Regulators
TPS70345	2000	3.3	1.2	3.46	7		0.16	0.185	2	Yes	HTSSOP	2.39	Dual-Output LDO Voltage Regulators
TPS70348	2000	3.3	1.5	3.46	7		0.16	0.185	2	Yes	HTSSOP	2.39	Dual-Output LDO Voltage Regulators
TPS70351	2000	3.3	1.8	3.46	7		0.16	0.185	2	Yes	HTSSOP	2.39	Dual-Output LDO Voltage Regulators
TPS70358	2000	3.3	2.5	3.46	7		0.16	0.185	2	Yes	HTSSOP	2.39	Dual-Output LDO Voltage Regulators
TPS70445	2000	3.3	1.2	3.46	7		0.16	0.185	2	Yes	HTSSOP	2.35	Dual-output (3.3V/1.2V)1A/2A LDO Regulator with dual enables and SVS for split-voltage systems
TPS70448	2000	3.3	1.5	3.46	7		0.16	0.185	2	Yes	HTSSOP	2.35	Dual-output (3.3V/1.2V)1A/2A LDO Regulator with dual enables and SVS for split-voltage systems

\*Budgetary price per unit in U.S. dollars, lots of 1,000+

Preview devices announced but not yet in production appear in **BOLD**.

## ■ Linear Regulation—Low Dropout (LDO) Regulators—Fixed (Continued)

Device Name	Sorted By		V <sub>O2</sub> (nom) (V)	V <sub>IN</sub>		V <sub>do</sub>		I <sub>q</sub> (typ) (mA)	Tolerance (%)	Shutdown	Package	Price*	Description
	I <sub>O</sub> (max) (mA)	V <sub>O1</sub> (nom) (V)		(min) (V)	(max) (V)	(max) (V)	(typ) (V)						
<b>Fixed (I<sub>O</sub> &gt; 1 A) (Continued)</b>													
TPS70451	2000	3.3	1.8	3.46	7	0.16	0.185	2	Yes	HTSSOP	2.35	Dual-output (3.3V/1.8V)1A/2A LDO Regulator with dual enables and SVS for split-voltage systems	
TPS70458	2000	3.3	2.5	3.46	7	0.16	0.185	2	Yes	HTSSOP	2.35	Dual-output (3.3V/1.8V)1A/2A LDO Regulator with dual enables and SVS for split-voltage systems	
TPS75233	2000	3.3		3.51	5.5	0.21	0.075	2	Yes	HTSSOP	1.71	Fast-Transient-Response 2-A LDO Voltage Regulator	
TPS75433	2000	3.3		3.51	5.5	0.21	0.075	2	Yes	HTSSOP	1.65	Fast-Transient-Response 2-A LDO Voltage Regulator	
TPS75733	3000	3.3		3.45	6	0.15	0.125	3	Yes	SFM,TO/SOT	2.57	Very LDO 3.3 Volt Output 3A LDO with Power Good Output	
TPS75833	3000	3.3		2.8	5.5	0.15	0.125	3	Yes	SFM,TO/SOT	2.57	3-A, Fast-Transient Response, 3.3-V LDO Voltage Regulator	
UCC283-3	3000	3.3		3.45	9	0.45	0.4	2.5	Yes	TO/SOT	3.44	Low Power 3 Ampere LDO Regulator	
UCC383-3	3000	3.3		3.75	9	0.45	0.4	2.5	Yes	SFM,TO/SOT	3.28	Low Power 3 Ampere LDO Regulator	
TPS75533	5000	3.3		3.55	6	0.25	0.125	3	Yes	SFM,TO/SOT	2.83	Very LDO 3.3-Volt 5A LDO with Power Good Output	
TPS75633	5000	3.3		2.8	5.5	0.25	0.125	3	Yes	SFM,TO/SOT	2.83	5-A, Fast-Transient Response, 3.3-V LDO Voltage Regulator	
TPS75933	7500	3.3		3.7	6	0.4	0.125	3	Yes	SFM,TO/SOT	3.04	3.3-V Fixed Output 7.5-A LDO Regulator with Power Good	
UCC283-5	3000	5		5.45	9	0.45	0.4	2.5	Yes	TO/SOT	3.44	Low Power 3 Ampere LDO Regulator	
UCC383-5	3000	5		5.45	9	0.45	0.4	2.5	Yes	SFM,TO/SOT	3.28	Low Power 3 Ampere LDO Regulator	
UC282-1	3000				7.5	0.45	0.35	18		SFM	4.74	Fast Transient Response 3 Ampere LDO	
UC382-1	3000				7.5	0.45	0.35	18		SFM,TO/SOT	4.13	Fast Transient Response 3 Ampere LDO	
UC385-1	5000				7.5	0.5	0.35			SFM,TO/SOT	5.00	Fast Transient Response 5 Ampere LDO	

\*Budgetary price per unit in U.S. dollars, lots of 1,000+

Preview devices announced but not yet in production appear in **BOLD**.

■ Linear Regulation—Low Dropout (LDO) Regulators—Adjustable

Device Name	I <sub>O</sub> (max) (mA)	Sorted By		V <sub>O2</sub> Adj		V <sub>IN</sub>		V <sub>do</sub>		I <sub>q</sub> (typ) (mA)	Tol (%)	Shut-down	Package	Price*	Description
		V <sub>O1</sub> Adj (min) (V)	V <sub>O1</sub> Adj (max) (V)	(min) (V)	(max) (V)	(max) (V)	(typ) (V)								
<b>Adjustable (I<sub>O</sub> ≤ 1 A)</b>															
UCC284-ADJ	500	-1.25	-15			-1.45	-16	0.2	0.2	2	Yes	SOIC	2.67	LDO 0.5A Negative Linear Regulator	
UCC384-ADJ	500	-1.25	-15			-3.5	-16	0.25	0.2	2	Yes	SOIC	1.86	LDO 0.5A Negative Linear Regulator	
REG101-A	100	1.267	5			2.1	12	0.1	0.5	1.5	Yes	SOIC,SOT23	0.88	DMOS 100mA LDO Regulator	
REG102-A	250	1.26	5			2.1	12	0.15	0.6	1.5	Yes	SOIC,SOP,SOT23	1.00	DMOS 250 mA LDO Regulator	
<b>TPS72501</b>	<b>1000</b>	<b>1.2</b>	<b>5</b>			<b>2.1</b>	<b>5.5</b>	<b>0.31</b>	<b>0.21</b>	<b>2</b>	<b>Yes</b>	<b>SFM,SOP</b>	<b>1.04</b>	<b>Low Input Voltage, Any Cap, 1A LDO with Supervisor</b>	
<b>TPS79601</b>	<b>1000</b>	<b>1.225</b>	<b>5</b>			<b>2.7</b>	<b>5.5</b>	<b>100</b>	<b>210</b>	<b>2</b>	<b>Yes</b>	<b>SOP</b>	<b>Call</b>	<b>Ultra-Low Noise, High PSRR, Fast RF, High-Enable, 1A LDO</b>	
<b>TPS79401</b>	<b>250</b>	<b>1.225</b>	<b>5.1</b>			<b>2.7</b>	<b>5.5</b>	<b>140</b>	<b>170</b>	<b>2</b>	<b>Yes</b>	<b>SOP</b>	<b>Call</b>	<b>Ultra-Low Noise, High PSRR, Fast RF, High-Enable, 250-mA LDO</b>	
<b>TPS79501</b>	<b>500</b>	<b>1.225</b>	<b>5.1</b>			<b>2.7</b>	<b>5.5</b>	<b>100</b>	<b>280</b>	<b>2</b>	<b>Yes</b>		<b>Call</b>	<b>Ultra-Low Noise, High PSRR, Fast RF, High-Enable, 500-mA LDO</b>	
TPS72201	50	1.2	5.2			1.8	5.5	0.1	0.15	0.1	2	Yes	SOT23	0.39	Cap Free, Low-Noise, Low Input Voltage 150mA LDO
TPS79101	100	1.225	5.2			2.7	5.5		38	170	2	Yes	SOT23	0.38	Ultra Low Noise, High PSRR, Fast RF, Low-Enable, 100mA LDO
TPS79201	100	1.225	5.2			2.7	5.5		55	170	2	Yes	SOT23	0.38	Ultra Low Noise, High PSRR, Fast RF, High-Enable, 100mA LDO
TPS72101	150	1.2	5.2			1.8	5.5	0.3	0.15	0.1	2	Yes	SOT23	0.42	Cap Free, Low-Noise, Low Input Voltage 150mA LDO
TPS79301	200	1.225	5.2			2.7	5.5		120	170	2	Yes	SOT23	0.40	Ultra Low Noise, High PSRR, Fast RF, High-Enable, 200mA LDO
TPS77001	50	1.2	5.5			2.7	13.5			0.017	3	Yes	SOT23	0.34	Ultra Low-Power 50-mA LDO Linear Regulators
TPS76901	100	1.2	5.5			2.7	13.5			0.017	3	Yes	SOT23	0.35	Ultra Low-Power 100-mA LDO Line Regulators
TPS76201	100		5.5				13.5			0.023	3	Yes	SOT23	0.35	100mA SOT23 LDO with adjustable output 0.7V to 5.5V, low quiescent current LDO
<b>TPS73101</b>	<b>150</b>	<b>1.25</b>	<b>5.5</b>			<b>1.8</b>	<b>5.5</b>	<b>0.09</b>	<b>0.5</b>	<b>2</b>	<b>Yes</b>		<b>Call</b>	<b>Cap Free, NMOS 150mA LDO</b>	
TPS76501	150	1.2	5.5			2.7	13.5		0.035	3	Yes	SOIC,TSSOP	0.48	Ultra-Low-Quiescent-Current 150-mA LDO Linear Regulators	
TPS77101	150	1.5	5.5			2.7	13.5		0.092	2	Yes	MSOP	0.56	Fast-Transient-Response 150-mA LDO W/Reset, MSOP-8 Packaging	
TPS77201	150	1.5	5.5			2.7	13.5		0.092	2	Yes	MSOP	0.54	Fast-Transient-Response 150-mA LDO W/Power Good, MSOP-8 Packaging	
TPS70702	250	1.22	5.5	1.22	5.5	2.7	7	0.083	0.19	2	Yes	HTSSOP	1.92	Dual-Output LDO Voltage Regulator with Power Up Sequencing	
TPS70802	250	1.22	5.5	1.22	5.5	2.7	7	0.083	0.19	2	Yes	HTSSOP	1.92	Dual-Output LDO with SVS and Independent Enables	
<b>TPS73201</b>	<b>250</b>	<b>1.25</b>	<b>5.5</b>			<b>1.8</b>	<b>5.5</b>	<b>0.09</b>	<b>0.5</b>	<b>2</b>	<b>Yes</b>		<b>Call</b>	<b>Cap Free, NMOS 150mA LDO</b>	
TPS76601	250	1.2	5.5			2.7	13.5		0.035	3	Yes	SOIC,TSSOP	0.61	Ultra-Low Quiescent Current 250-mA LDO Linear Regulators	
TPS77301	250	1.5	5.5			2.7	13.5		0.092	2	Yes	MSOP	0.65	Fast Transient Response 250-mA LDO Voltage Regulator W/Reset, MSOP-8 Packaging	
TPS77401	250	1.5	5.5			2.7	13.5		0.092	2	Yes	MSOP	0.65	Fast Transient Response 250-mA LDO Voltage Regulator W/Power Good, MSOP-8 Packaging	
TPS77901	250	1.5	5.5			2.7	13.5		0.092	3	Yes	MSOP	0.65	250mA LDO Regulator and SVS in MSOP8 Package, Enable High	
<b>TPS73601</b>	<b>350</b>	<b>1.25</b>	<b>5.5</b>			<b>1.8</b>	<b>5.5</b>	<b>0.09</b>	<b>0.5</b>	<b>2</b>	<b>Yes</b>		<b>Call</b>	<b>Cap Free, NMOS 150mA LDO</b>	
REG103-A	500	1.295	5.5			2.7	15	0.115	1	2	Yes	SFM,SOIC,SOP	2.00	DMOS 500mA LDO Regulator	
TPS70102	500	1.22	5.5	1.22	5.5	2.7	7	0.17	0.19	2	Yes	HTSSOP	2.17	Dual-Output LDO with Power Up Sequencing For Split Voltage Sys	

\*Budgetary price per unit in U.S. dollars, lots of 1,000+

Preview devices announced but not yet in production appear in **BOLD**.

## ■ Linear Regulation—Low Dropout (LDO) Regulators—Adjustable (Continued)

Device Name	I <sub>O</sub> (max) (mA)	Sorted By		V <sub>O2</sub> Adj		V <sub>IN</sub>		V <sub>do</sub>		I <sub>q</sub> (typ) (mA)	Tol (%)	Shut-down	Package	Price*	Description
		V <sub>O1</sub> Adj (min) (V)	V <sub>O1</sub> Adj (max) (V)	V <sub>O2</sub> Adj (min) (V)	V <sub>O2</sub> Adj (max) (V)	V <sub>IN</sub> (min) (V)	V <sub>IN</sub> (max) (V)	V <sub>do</sub> (max) (V)	V <sub>do</sub> (typ) (V)						
<b>Adjustable (I<sub>O</sub> ≤ 1 A) (Continued)</b>															
TPS70202	500	1.22	5.5	1.22	5.5	2.7	7	0.17	0.19	2	Yes	HTSSOP	2.17	Dual-Output LDO Voltage Regulator	
<b>TPS73301</b>	<b>500</b>	<b>1.25</b>	<b>5.5</b>			<b>1.8</b>	<b>5.5</b>	<b>0.09</b>	<b>0.5</b>	<b>2</b>	<b>Yes</b>		<b>Call</b>	<b>Cap Free, NMOS 150mA LDO</b>	
TPS77501	500	1.5	5.5			2.7	13.5		0.085	2	Yes	HTSSOP,SOIC	0.87	Fast-Transient-Response 500-mA LDO Voltage Regs	
TPS77601	500	1.2	5.5			2.7	13.5		0.085	2	Yes	HTSSOP,SOIC	0.83	Fast-Transient-Response 500-mA LDO Voltage Regulator	
TPS77701	750	1.5	5.5			2.7	13.5		0.085	2	Yes	HTSSOP,SOIC	0.96	Fast-Transient-Response 750-mA LDO Voltage Regs	
TPS77801	750	1.2	5.5			2.7	13.5		0.085	2	Yes	HTSSOP,SOIC	0.92	Fast-Transient-Response 750-mA LDO Voltage Regs	
REG104-A	1000	1.295	5.5				16	0.23	1.7	2.5	Yes	SFM,SOP	2.22	DMOS 1A LDO	
<b>TPS73405</b>	<b>1000</b>	<b>1.25</b>	<b>5.5</b>			<b>1.8</b>	<b>5.5</b>	<b>0.09</b>	<b>0.5</b>	<b>2</b>	<b>Yes</b>		<b>Call</b>	<b>Cap Free, NMOS 150mA LDO</b>	
TPS76701	1000	1.5	5.5			2.7	13.5		0.085	2	Yes	HTSSOP,SOIC	1.04	Fast-Transient-Response 1-A LDO Voltage Regulator	
TPS76801	1000	1.5	5.5			2.7	13.5		0.085	2	Yes	HTSSOP,SOIC	1.00	µPower LDO Voltage Regulator	
TPS76301	150	1.5	6.5			2.7	10		0.085	3	Yes	SOT23	0.34	Low-Power 150-mA LDO Linear Regulator	
UCC281-ADJ	1000	1.22	8.85			1.85	9	0.6	0.4	2.5	Yes	SOIC	3.53	Low Power 1 Ampere LDO Regulator	
UCC381-ADJ	1000	1.22	8.85			1.85	9	0.6	0.4	1.6	Yes	SOIC	2.30	Low Power 1 Ampere LDO Regulator	
TPS7201	250	1.2	9.75			2.5	11		0.18	3	Yes	PDIP,SOIC,TSSOP	0.56	µPower Very LDO PMOS Adjustable Voltage Regulator	
TPS7101	500	1.2	9.75			2.5	11		0.285	3	Yes	PDIP,SOIC,TSSOP	1.17	Lowest Dropout (LDO) PMOS Adjustable Voltage Regulator	
TPS71H01	500	1.2	9.75			2.5	11		0.285	3	Yes	HTSSOP	2.08	LDO Voltage Regulator	
TPS7301	500	1.2	9.75			2.97	11		0.34	3	Yes	PDIP,SOIC,TSSOP	0.99	Lowest Dropout (LDO) PMOS Voltage Regulator with Integrated Supply Voltage Supervisor	
REG1117	800	1.25	13.5				15	1.1	4	2	No	SOT	0.73	800mA and 1A LDO Positive Reg 1.8V, 2.5V, 2.85V, 3.3V, 5V, and Adj	
REG1117A	1000	1.25	13.5				15	1.2	4	2	No	SFM,SOT	0.81	800mA and 1A LDO Positive Reg 1.8V, 2.5V, 2.85V, 3.3V, 5V, and Adj	
<b>Adjustable (I<sub>O</sub> &gt; 1 A)</b>															
TPS75101	1500	1.5	5	5		2.7	5.5		0.075	3	Yes	HTSSOP	1.52	Fast-Transient-Response 1.5-A LDO Voltage Regulator	
TPS75301	1500	1.5	5			2.7	5.5		0.075	3	Yes	HTSSOP	1.61	Fast-Transient-Response 1.5-A LDO Voltage Regulators	
<b>TPS78601</b>	<b>1500</b>	<b>1.225</b>	<b>5</b>			<b>2.7</b>	<b>5.5</b>	<b>100</b>	<b>350</b>	<b>2</b>	<b>Yes</b>		<b>Call</b>	<b>Ultra-Low Noise, High PSRR, Fast RF, High-Enable, 1.5A LDO</b>	
TPS75201	2000	1.5	5			2.7	5.5		0.075	3	Yes	HTSSOP	1.71	Fast-Transient-Response 2-A LDO Voltage Regulator	
TPS75401	2000	1.5	5			2.7	5.5		0.075	3	Yes	HTSSOP	1.65	Fast-Transient-Response 2-A LDO Voltage Regulator	
TPS75701	3000	1.22	5			2.8	6	0.15	0.125	3	Yes	SFM,TO/SOT	2.57	Very LDO Adjustable Output 3A LDO with Power Good Output	
TPS75501	5000	1.22	5			2.8	6	0.25	0.125	3	Yes	SFM,TO/SOT	2.83	Very LDO Adjustable Output 5A LDO with Power Good Output	
TPS75601	5000	1.22	5			2.8	5.5	0.25	0.125	2	Yes	SFM,TO/SOT	2.83	5-A, Fast-Transient Response, Adjustable LDO Voltage Regulator	
TPS75901	7500	1.22	5			2.8	6		0.125	3	Yes	SFM,TO/SOT	3.04	Adjustable 7.5-A LDO Regulator with Power Good	
TPS70302	2000	1.22	5.5	1.22	5.5	2.7	7	0.16	0.185	2	Yes	HTSSOP	2.39	1A/2A Dual-Output LDO Voltage Regulator W/Power Up Seq. For Split Vo, Adjust. Outputs 1.22V - 5.5V	
TPS70402	2000	1.22	5.5	1.22	5.5	2.7	7	0.16	0.185	2	Yes	HTSSOP	2.35	Dual-output 1A/2A LDO with dual enables and SVS for split-volt Sys	
TPS75801	3000	1.22	5.5			2.8	5.5	0.15	0.125	2	Yes	SFM,TO/SOT	2.57	3-A, Fast-Transient Response, Adjustable LDO Voltage Regulator	

\*Budgetary price per unit in U.S. dollars, lots of 1,000+

Preview devices announced but not yet in production appear in **BOLD**.

■ Linear Regulation—Low Dropout (LDO) Regulators—Adjustable (Continued)

Device Name	I <sub>O</sub> (max) (mA)	Sorted By		V <sub>O2</sub> Adj		V <sub>IN</sub>		V <sub>do</sub>		I <sub>q</sub> (typ) (mA)	Tol (%)	Shut-down	Package	Price*	Description
		V <sub>O1</sub> Adj (min) (V)	V <sub>O1</sub> Adj (max) (V)	(min) (V)	(max) (V)	(max) (V)	(typ) (V)								
<b>Adjustable (I<sub>O</sub> &gt; 1 A) (Continued)</b>															
UC282-ADJ	3000	1.2	6			1.55	7.5	0.35	18	1	No	SFM	4.74	Fast Transient Response 3 Ampere LDO Regulator	
UC382-ADJ	3000	1.2	6			1.55	7.5	0.35	18	1	No	SFM,TO/SOT	4.13	Fast Transient Response 3 Ampere LDO Regulator	
UC285-ADJ	5000	1.2	6			1.55	7.5	0.35	40	1	No	SFM	5.93	Fast Transient Response 5 Ampere LDO Regulator	
UCC283-ADJ	3000	1.22	8.85			1.65	9	0.45	0.4	2.5	Yes	SFM,TO/SOT	3.44	Low Power 3 Ampere LDO Regulator	
UCC383-ADJ	3000	1.22	8.85			1.65	9	0.45	0.4	2.5	Yes	SFM,TO/SOT	3.28	Low Power 3 Ampere LDO Regulator	
UC385-ADJ	5000	1.22	8.85			1.85	7.5	0.35	40	1	No	SFM,TO/SOT	5.00	Fast Transient Response 5 Ampere LDO Regulator	

■ Linear Regulation—Low Dropout (LDO) Controllers

Device Name	I <sub>q</sub> (typ) (mA)	V <sub>IN</sub> (max) (V)	Tolerance		V <sub>O</sub> (min) (V)	I <sub>drive</sub> (max) (mA)	Type of Short Circuit Limit	Package	Price*	Description
			(%)	Shutdown						
UCC2837	1.2	12	1	No	1.5	0.5	Duty Cycle	PDIP,SOIC	2.60	8-Pin N-FET Linear Regulator Controller
UCC3837	1.2	12	1	No	1.5	0.5	Duty Cycle	PDIP,SOIC	1.84	8-Pin N-FET Linear Regulator Controller
UC1832	3.3	40	2	Yes	2	100	Duty Cycle	CDIP,LCCC	12.23	Precision Low Dropout Linear Controllers
UC2832	3.3	40	2	Yes	2	100	Duty Cycle	CDIP,PDIP,SOIC	3.03	Precision Low Dropout Linear Controllers
UC2833	3.3	40	2	Yes	2	100	Duty Cycle	CDIP,PDIP,SOIC	3.17	Precision Low Dropout Linear Controllers
UC3832	3.3	40	2	Yes	2	100	Duty Cycle	CDIP,PDIP,SOIC	2.36	Precision Low Dropout Linear Controllers
UC3833	3.3	40	2	Yes	2	100	Duty Cycle	CDIP,PDIP,SOIC	2.30	Precision Low Dropout Linear Controllers
UC1834	5.5	40	4	Yes	1.5	200	Foldback	CDIP,LCCC	10.81	High Efficiency Linear Regulator
UC2834	5.5	40	4	Yes	1.5	200	Foldback	CDIP,PDIP,PLCC,SOIC	6.52	High Efficiency Linear Regulator
UC3834	5.5	40	4	Yes	1.5	200	Foldback	CDIP,PDIP,PLCC,SOIC	5.33	High Efficiency Linear Regulator
UC1836	3.75	40	2	Yes	2.5	250	Foldback	CDIP	9.60	High Efficiency Regulator Controller
UC2835	3.75	40	2	Yes	5	250	Foldback	CDIP,PDIP,SOIC	4.07	High Efficiency Regulator Controller
UC2836	3.75	40	2	Yes	2.5	250	Foldback	PDIP,SOIC	5.11	High Efficiency Regulator Controller
UC3835	3.75	40	2	Yes	5	250	Foldback	PDIP	2.90	High Efficiency Regulator Controller
UC3836	3.75	40	2	Yes	2.5	250	Foldback	PDIP,SOIC	3.30	High Efficiency Regulator Controller

\*Budgetary price per unit in U.S. dollars, lots of 1,000+

Preview devices announced but not yet in production appear in **BOLD**.

■ Switching DC/DC Regulation—DC/DC Controllers

Device Name	Sorted By				Number of Regulated Outputs	Output Current (mA)	V <sub>ref</sub> Tol (%)	Frequency (max) (kHz)	Operating Supply Current (mA)	Current Limit	Light Load Efficiency Features	Shutdown Supply Current (µA)	Shutdown or Enable Input	High Side N-Channel Driver	Power Limit	Pin Count	Package	Price*	Description
	Operating Supply (min) (V)	Operating Supply (max) (V)	Output Voltage (min) (V)	Output Voltage (max) (V)															
UC2572	4.2	35	-70	-1	1	500	2	300	9	Yes	No	50	No	No	No	8	PDIP,SOIC	2.13	Negative Output Flyback Pulse Width Modulator
UC3572	4.2	35	-70	-1	1	500	2	300	9	Yes	No	50	No	No	No	8	PDIP,SOIC	1.52	Negative Output Flyback Pulse Width Modulator
TPS5615	11.4	13	1.5	1.5	1	2400	1	700	3	Yes	No	80	Yes	Yes	No	28	HTSSOP	3.47	High Current Sync Buck Controller with 1.5V Output
TPS5618	11.4	13	1.8	1.8	1	2400	1	700	3	Yes	No	80	Yes	Yes	No	28	HTSSOP	3.47	High Current Sync Buck Controller with 1.8V Output
TPS5300	3	28	0.925	2	3	2000	1	500		Yes	Yes		Yes	Yes	No	32	HTSSOP	3.30	Mobile CPU DC/DC Controller
TPS5625	11.4	13	2.5	2.5	1	2400	1	700	3	Yes	No	80	Yes	Yes	No	28	HTSSOP	3.47	High Current Sync Buck Controller with 2.5V Output
TPS56100	4.5	5.5	1.3	2.6	1	2000	1.5	500	3	Yes	No	80	Yes	Yes	No	28	HTSSOP	3.47	5 Bit Pgrmable Sync Buck Controller
TPS56300	2.8	5.5	1.3	3.3	2	2000	1.5	500	15	Yes	No		Yes	Yes	No	28	HTSSOP	4.10	Dual Output, Low Input Voltage Controllers with Sequencing
TPS56302	2.8	5.5	1.3	3.3	2	2000	1.5	500	15	Yes	No		Yes	Yes	No	28	HTSSOP	4.10	Dual Output, Low Input Voltage Controllers with Sequencing
TPS5633	11.4	13	3.3	3.3	1	2400	1	700	3	Yes	No	80	Yes	Yes	No	28	HTSSOP	3.47	High Current Sync Buck Controller with 3.3V Output
UCC3830-5	9.5	12	1.8	3.5	1	1000	1	200	3.5	Yes	No		Yes	Yes	Yes	20	SOIC	2.45	5-Bit Microprocessor Power Supply Buck Controller
UCC3882	9.5	15	1.3	3.5	1	1000	1	700	7	Yes	No		Yes	Yes	Yes	28	SOIC,TSSOP	1.86	Avg Current Mode Sync Buck Controller with 5-Bit DAC
UCC3882-1	9.5	15	1.3	3.5	1	1000	1	700	7	Yes	Yes		Yes	Yes	Yes	28	SOIC,TSSOP	1.86	Avg Current Mode Sync Buck Controller with 5-Bit DAC
UCC3588	10	15	2.1	3.5	1	2000	1	800	4.5	Yes	No		Yes	Yes	No	16	PDIP,SOIC,TSSOP	1.98	5-Bit Pgrmable Output BiCMOS Power Supply Buck Controller
TPS5210	11.4	13	1.3	3.6	1	2400	1	500	3	Yes	No		Yes	Yes	No	28	HTSSOP,SOIC	3.31	Sync Buck Controller for Pentium™ Processors
TPS5211	11.4	13	1.3	3.6	1	2400	1.5	700	3	Yes	No		Yes	Yes	No	28	HTSSOP	3.35	High Frequency Sync Buck Controller for Pentium Processors
<b>TPS40000</b>	<b>2.25</b>	<b>5.5</b>	<b>0.7</b>	<b>4</b>	<b>1</b>	<b>15000</b>	<b>1.5</b>	<b>300</b>	<b>1.5</b>	<b>Yes</b>	<b>Yes</b>	<b>250</b>	<b>Yes</b>	<b>Yes</b>	<b>Yes</b>	<b>10</b>	<b>MSOP</b>	<b>Call</b>	<b>Low Input Voltage Mode Sync Buck Controller</b>
<b>TPS40001</b>	<b>2.25</b>	<b>5.5</b>	<b>0.7</b>	<b>4</b>	<b>1</b>	<b>15000</b>	<b>1.5</b>	<b>300</b>	<b>1.5</b>	<b>Yes</b>	<b>No</b>	<b>250</b>	<b>Yes</b>	<b>Yes</b>	<b>Yes</b>	<b>10</b>	<b>MSOP</b>	<b>Call</b>	<b>Low Input Voltage Mode Sync Buck Controller</b>
<b>TPS40002</b>	<b>2.25</b>	<b>5.5</b>	<b>0.7</b>	<b>4</b>	<b>1</b>	<b>15000</b>	<b>1.5</b>	<b>600</b>	<b>1.5</b>	<b>Yes</b>	<b>Yes</b>	<b>150</b>	<b>Yes</b>	<b>Yes</b>	<b>Yes</b>	<b>10</b>	<b>MSOP</b>	<b>Call</b>	<b>Low Input Voltage Mode Sync Buck Controller</b>
<b>TPS40003</b>	<b>2.25</b>	<b>5.5</b>	<b>0.7</b>	<b>4</b>	<b>1</b>	<b>15000</b>	<b>1.5</b>	<b>600</b>	<b>1.5</b>	<b>Yes</b>	<b>No</b>	<b>250</b>	<b>Yes</b>	<b>Yes</b>	<b>Yes</b>	<b>10</b>	<b>MSOP</b>	<b>Call</b>	<b>Low Input Voltage Mode Sync Buck Controller</b>
UCC2585	3	5.5	0.9	5	1	500	1	700	2.3	Yes	No	10	Yes	No	No	16	PDIP,SOIC,SSOP	2.26	Low Voltage Sync Buck Controller
UCC3585	3	5.5	0.9	5	1	500	1	700	2.3	Yes	No	10	Yes	No	No	16	PDIP,SOIC,SSOP	1.88	Low Voltage Sync Buck Controller
UCC29421	1.5	8	2.5	8	1	1		2000	0.635	Yes	Yes	1.5	Yes	Yes	No	16	PDIP,TSSOP	1.70	High Frequency, Multimode Sync Controller
UCC29422	1.5	8	2.5	8	1	1		2000	0.635	Yes	Yes	1.5	Yes	Yes	No	20	PDIP,TSSOP	2.50	High Frequency, Multimode Sync Controller
UCC39421	1.5	8	2.5	8	1	1		2000	0.635	Yes	Yes	1.5	Yes	Yes	No	16	PDIP,TSSOP	2.30	High Frequency, Multimode Sync Controller
UCC39422	1.5	8	2.5	8	1	1		2000	0.635	Yes	Yes	1.5	Yes	Yes	No	20	PDIP,TSSOP	2.39	High Frequency, Multimode Sync Controller

\*Budgetary price per unit in U.S. dollars, lots of 1,000+

Preview devices announced but not yet in production appear in **BOLD**.

- Product Overview
- Amplifiers & Comparators
- Audio Products
- Clocks & Timers
- Control & Monitoring
- Data Converters
- Interface Products
- Micro-controllers
- Power Management
- RF Products
- Wireless & Telecom
- Video & Imaging
- Product Index

■ Switching DC/DC Regulation—DC/DC Controllers (Continued)

Device Name	Operating Supply (V)		Output Voltage (V)		Number of Regulated Outputs	Output Current (mA)	V <sub>ref</sub> Tol (%)	Frequency (max) (kHz)	Operating Supply Current (mA)	Current Limit	Light Load Efficiency Features	Shutdown Supply Current (µA)	Shutdown or Enable Input	High Side N-Channel Driver	Power Limit	Pin Count	Package	Price*	Description
	(min)	(max)	(min)	(max)															
TPS43000	1.8	9	0.8	8	1	1250	2	2000	1	Yes	Yes	2	Yes	No	Yes	16	TSSOP	2.75	Multi-Topology High Frequency PWM Controller
TPS5100	2.5	7	1.25	20	3	20	1	1000	3.5	No	No		Yes	No	No	16	TSSOP	1.45	Low Input Voltage Triple-Channel (2 Boost, 1 Buck/Boost) Controller
TPS5103	4.5	25	1.2	24	1	1.5	1.5	500	0.5	Yes	Yes	1	Yes	Yes	No	20	SSOP	2.12	Sync Buck Controller with Wide Input Voltage Range
TPS5102	4.5	25	1.2	24	2	1500	1.5	500	0.6	Yes	Yes	1	Yes	Yes	No	30	TSSOP	3.13	Dual Output Sync Buck Controller with Wide Input Voltage Range
TPS5602	4.5	25	1.2	24	2	1500	2	500	0.8	Yes	No	1	Yes	Yes	No	30	TSSOP	3.23	Dual Output Sync Buck Controller with Wide Input Voltage Range
TPS5140	4.5	28	1.2	26	4	1000	1.5	350	1.8	Yes	Yes	1	Yes	Yes	No	64	TQFP	5.01	Quad Output (3 Buck, 1 Boost) High Efficiency DC/DC Controller for Notebook PC Power
TPS5120	4.5	28	0.9	26	2	1500	1.5	500	1.1	Yes	Yes	1	Yes	Yes	No	30	TSSOP	3.33	Dual Output, Two-Phase Sync Buck Controller with Wide Input Voltage Range
UC2573	4.2	35	3	30	1	500	2	300	9	Yes	No	50	No	No	No	8	PDIP,SOIC	2.13	Buck Pulse Width Modulator Stepdown Voltage Reg
UC3573	4.2	35	3	30	1	500	2	300	9	Yes	No	50	No	No	No	8	PDIP,SOIC	1.62	Buck Pulse Width Modulator Stepdown Voltage Reg
TL1451A	3.6	50	2.5	50	2	20	4	500	1.7	No	No	1300	No	No	No	16	CDIP,LCCC,PDIP,SOIC,SOP,SSOP,TSSOP	0.88	Dual Channel Controller with Wide Input Voltage Range
TL1453	3.6	40	2.5	50	2	20	4	500	1.7	No	No	1300	No	No	No	16	PDIP,SOIC,SOP	0.90	Dual Channel Controller with Wide Input Voltage Range
TL5001	3.6	40	1	50	1	20	5	400	1.1	No	No	1000	No	No	No	8	CDIP,LCCC,PDIP,SOIC,SOP	0.44	PWM Controller with Wide Input Range
TL5001A	3.6	40	1	50	1	20	3	400	1.1	No	No	1000	No	No	No	8	CDIP,LCCC,PDIP,SOIC	0.52	PWM Controller with Wide Input Voltage Range
TL5002	3.6	40	1	50	1	20	3	400	1.1	No	No	1000	No	No	No	8	SOIC	0.64	Voltage Tracking Termination Regulator
UC2578	11	72	5	62	1	200	2	100	10	Yes	No	10000	No	Yes	No	16	PDIP,SOIC	3.37	Buck Pulse Width Modulator Stepdown Voltage Reg
UC3578	11	72	5	62	1	200	2	100	10	Yes	No	10000	No	Yes	No	16	PDIP,SOIC	2.94	Buck Pulse Width Modulator Stepdown Voltage Reg
UC3886	10.3	20				1500	1.5	400	10		No					16	PDIP,SOIC	2.41	Average Current Mode PWM Controller IC

\*Budgetary price per unit in U.S. dollars, lots of 1,000+

Preview devices announced but not yet in production appear in **BOLD**.



## ■ Switching DC/DC Regulation—DC/DC Converters (Integrated Switch)

Device Name	V <sub>CC</sub>		Preset V <sub>OUT</sub> (V)	V <sub>OUT</sub>		V <sub>OUT</sub> Accuracy (%)	Output Current (mA)	Efficiency (typ) (%)	I <sub>q</sub> (typ) (μA)	Shutdown Current (typ) (μA)	Switching Frequency (max) (kHz)	Package	Price*	Description
	(min) (V)	(max) (V)		(min) (V)	(max) (V)									
UCC29412	1	3.8	3.3	3.3	3.3	3	60	85	0.048	6	500	PDIP,SOIC,TSSOP	1.39	Low Power Sync Boost Conv
UCC39412	1	3.8	3.3	3.3	3.3	3	60	85	0.048	6	500	PDIP,SOIC,TSSOP	1.30	Low Power Sync Boost Conv
UCC29411	1	5.5		2	5	3	60	85	0.048	6	500	PDIP,SOIC,TSSOP	1.39	Low Power Sync Boost Conv
UCC29413	1	5.5	5	5	5	3	60	85	0.048	6	500	PDIP,SOIC,TSSOP	1.39	Low Power Sync Boost Conv
UCC39411	1	5.5		2	5	3	60	85	0.048	6	500	PDIP,SOIC,TSSOP	1.30	Low Power Sync Boost Conv
UCC39413	1	5.5	5	5	5	3	60	85	0.048	6	500	PDIP,SOIC,TSSOP	1.30	Low Power Sync Boost Conv
TPS61041	1.8	6			28		60	85		1	1000	SOT23	0.95	28-V, 250-mA Switch Boost Converter in SOT-23 for LCD and White LED Applications
TPS61040	1.8	6			28		100	85		1	1000	SOT23	1.05	28-V, 400-mA Switch Boost Converter in SOT-23 for LCD and White LED Applications
TL499A	1.1	10		2.9	30	5	100			15		PDIP	0.56	Wide-Range Power-Supply Controller
TPS54900				7.5	13.1		100	85				TSSOP	6.86	Pgrmable Four Channel Step Down DC/DC Converter
TPS61011	0.8	1.5	1.5	1.5	1.5	3	200	92	0.05	1	840	MSOP	1.59	Low Input Voltage Sync Boost Conv with Fixed 1.5V Output
TPS61012	0.8	1.8	1.8	1.8	1.8	3	200	92	0.05	1	840	MSOP	1.59	Low Input Voltage Sync Boost Conv with Fixed 1.8V Output
TPS61013	0.8	2.5	2.5	2.5	2.5	3	200	92	0.05	1	840	MSOP	1.59	Low Input Voltage Sync Boost Conv with Fixed 2.5V Output
TPS61014	0.8	2.8	2.8	2.8	2.8	3	200	92	0.05	1	840	MSOP	1.59	Low Input Voltage Sync Boost Conv with Fixed 2.8V Output
TPS61015	0.8	3	3	3	3	3	200	92	0.05	1	840	MSOP	1.59	Low Input Voltage Sync Boost Conv with Fixed 3.0V Output
TPS61010	0.8	3.3		1.5	3.3	3	200	92	0.05	1	840	MSOP	1.59	Low Input Voltage Sync Boost Conv with Adjustable Output
TPS61016	0.8	3.3	3.3	3.3	3.3	3	200	92	0.05	1	840	MSOP	1.59	Low Input Voltage Sync Boost Conv with Fixed 3.3V Output
UCC2941-3	0.8	3.8	3.3	3.3	3.3	3	200	85	0.08	8	250	PDIP,SOIC	1.70	1V Sync Boost Conv
UCC3941-3	0.8	3.8	3.3	3.3	3.3	3	200	85	0.08	8	250	PDIP,SOIC	1.59	1V Sync Boost Conv
UCC2941-5	0.8	5.5	5	5	5	3	200	85	0.08	8	250	PDIP,SOIC	1.70	1V Sync Boost Conv
UCC2941-ADJ	0.8	5.5		2	5	3	200	85	0.08	8	250	PDIP,SOIC	1.70	1V Sync Boost Conv
UCC3941-5	0.8	5.5	5	5	5	3	200	85	0.08	8	250	PDIP,SOIC	1.59	1V Sync Boost Conv
UCC3941-ADJ	0.8	5.5		2	5	3	200	85	0.08	8	250	PDIP,SOIC	1.59	1V Sync Boost Conv
TPS6735	4	6.2	-5	-5	-5	4	200	78	1.9	10	160	PDIP,SOIC	1.25	Fixed Negative 5-V 200-MA Inverting DC/DC Converter
TPS6755	2.7	9		-9.3	-1.23	4	200	78	1.9	10	160	PDIP,SOIC	1.25	Adjustable Inverting DC/DC Converter
TPS6734	2.7	11	12	12	12	4	225	86	1.2	3	170	PDIP,SOIC	1.25	Fixed 12-V 120-MA Boost-Converter Supply
TPS61001	0.8	1.5	1.5	1.5	1.5	3	250	85	0.05	1	840	MSOP	1.35	Low Input Voltage Boost Converter with Fixed 1.5V Output
TPS61002	0.8	1.8	1.8	1.8	1.8	3	250	85	0.05	1	840	MSOP	1.35	Low Input Voltage Boost Converter with Fixed 1.8V Output
TPS61003	0.8	2.5	2.5	2.5	2.5	3	250	85	0.05	1	840	MSOP	1.35	Low Input Voltage Boost Converter with Fixed 2.5V Output
TPS61004	0.8	2.8	2.8	2.8	2.8	3	250	85	0.05	1	840	MSOP	1.35	Low Input Voltage Boost Converter with Fixed 2.8V Output
TPS61005	0.8	3	3	3	3	3	250	85	0.05	1	840	MSOP	1.35	Low Input Voltage Boost Converter with Fixed 3.0V Output
TPS61000	0.8	3.3		1.5	3.3	5	250	85	0.05	1	840	MSOP	1.35	Low Input Voltage Boost Converter with Adjustable Output
TPS61006	0.8	3.3	3.3	3.3	3.3	3	250	85	0.05	1	840	MSOP	1.35	Low Input Voltage Boost Converter with Fixed 3.3V Output
TPS61007	0.8	3.3		1.5	3.3	5	250	85	0.05	1	840	MSOP	1.35	Low Input Voltage Boost Converter with Adjustable Output
TPS62200	2.5	6		0.7	6	3	300	95		0.1	1500	SOT23	1.50	Adj, 300-mA, 95% Efficient Step-Down Converter in SOT-23

\*Budgetary price per unit in U.S. dollars, lots of 1,000+

Preview devices announced but not yet in production appear in **BOLD**.

■ Switching DC/DC Regulation—DC/DC Converters (Integrated Switch) (Continued)

Device Name	V <sub>CC</sub>		Preset V <sub>OUT</sub> (V)	V <sub>OUT</sub>		V <sub>OUT</sub> Accuracy (%)	Output Current (mA)	Efficiency (typ) (%)	I <sub>q</sub> (typ) (μA)	Shutdown Current (typ) (μA)	Switching Frequency (max) (kHz)	Package	Price*	Description
	(min) (V)	(max) (V)		(min) (V)	(max) (V)									
TPS62201	2.5	6	1.5			3	300	95		0.1	1500	SOT23	1.50	1.5-V Output, 300-mA, 95% Efficient Step-Down Converter in SOT-23
TPS62202	2.5	6	1.8			3	300	95		0.1	1500	SOT23	1.50	1.8-V Output, 300-mA, 95% Efficient Step-Down Converter in SOT-23
TPS62203	2.5	6	3.3			3	300	95		0.1	1500	SOT23	1.50	3.3-V Output, 300-mA, 95% Efficient Step-Down Converter in SOT-23
TPS62204	2.5	6	1.6			3	300	95		0.1	1500	SOT23	1.50	1.6-V Output, 300-mA, 95% Efficient Step-Down Converter in SOT-23
TPS62205	2.5	6	2.5			3	300	95		0.1	1500	SOT23	1.50	2.5-V Output, 300-mA, 95% Efficient Step-Down Converter in SOT-23
TPS62100	2.5	9		0.8	8	3	500	92	0.164	1	600	SOIC	2.01	Multimode 300kHz Sync Buck Conv with Adjustable Output
TPS62101	2.5	9		0.8	8	3	500	92	0.164	1	1000	SOIC	2.01	Multimode 600kHz Sync Buck Conv with Adjustable Output
TPS62102	2.5	9		0.8	8	3	500	92	0.164	1	2000	SOIC	2.01	Multimode 1MHz Sync Buck Conv with Adjustable Output
TPS62103	2.5	9		0.8	8	3	500	92	0.164	1	2500	SOIC	2.01	Multimode 2MHz Sync Buck Conv with Adjustable Output
TL497A	4.5	12		-25	30	5	500	60	11	6000		PDIP,SOIC,TSSOP	1.33	Switching Voltage Regulator
TPS62000	1.8	5.5		0.9	5	3	600	95	0.05	1	1000	MSOP	1.70	Sync Buck Conv with Adjustable Output
TPS62001	1.8	5.5	0.9	0.9	0.9	3	600	95	0.05	1	1000	MSOP	1.70	Sync Buck Conv with Fixed 0.9-V Output
TPS62002	1.8	5.5	1	1	1	3	600	95	0.05	1	1000	MSOP	1.70	Sync Buck Conv with Fixed 1.0-V Output
TPS62003	1.8	5.5	1.2	1.2	1.2	3	600	95	0.05	1	1000	MSOP	1.70	Sync Buck Conv with Fixed 1.2-V Output
TPS62004	1.8	5.5	1.5	1.5	1.5	3	600	95	0.05	1	1000	MSOP	1.70	Sync Buck Conv with Fixed 1.5-V Output
TPS62005	1.8	5.5	1.8	1.8	1.8	3	600	95	0.05	1	1000	MSOP	1.70	Sync Buck Conv with Fixed 1.8-V Output
TPS62006	1.8	5.5	2.5	2.5	2.5	3	600	95	0.05	1	1000	MSOP	1.70	Sync Buck Conv with Fixed 2.5-V Output
TPS62007	1.8	5.5	3.3	3.3	3.3	3	600	95	0.05	1	1000	MSOP	1.70	Sync Buck Conv with Fixed 3.3-V Output
TPS54310	3	6		0.9	3.3	1	3000	90	6.2	1000	700	HTSSOP	3.90	Low Input Voltage 3A Buck Conv with Adj Output Voltage
TPS54311	3	6	0.9			2	3000	90	6.2		700	HTSSOP	3.98	Low Input Voltage 3A Cont Buck Conv with 0.9V Output
TPS54312	3	6	1.2			2	3000	90	6.2		700	HTSSOP	3.98	Low Input Voltage 3A Cont Buck Conv with 1.2V Output
TPS54313	3	6	1.5			2	3000	90	6.2		700	HTSSOP	3.98	Low Input Voltage 3A Cont Buck Conv with 1.5V Output
TPS54314	3	6	1.8			2	3000	90	6.2		700	HTSSOP	3.98	Low Input Voltage 3A Cont Buck Conv with 1.8V Output
TPS54315	3	6	2.5			2	3000	90	6.2		700	HTSSOP	3.98	Low Input Voltage 3A Cont Buck Conv with 2.5V Output
TPS54316	4	6	3.3			2	3000	90	6.2		700	HTSSOP	3.98	Low Input Voltage 3A Cont Buck Conv with 3.3V Output
UC2577-ADJ	3	40		5	60	5	3000	75	45		52	SFM,TO/SOT	3.86	Simple Step-Up Voltage Regulator
TPS54610	3	6		0.9	4.5	2	6000	85	11	1000	700	HTSSOP	4.99	Low Input Voltage 6A Cont Buck Conv with Adj Out Voltage
TPS54611	3	6	0.9			2	6000	85	11	1000	700	HTSSOP	5.10	Low Input Voltage 6A Cont Buck Conv with 0.9V Output
TPS54612	3	6	1.2			2	6000	85	11	1000	700	HTSSOP	5.10	Low Input Voltage 6A Cont Buck Conv with 1.2V Output
TPS54613	3	6	1.5			2	6000	85	11	1000	700	HTSSOP	5.10	Low Input Voltage 6A Cont Buck Conv with 1.5V Output
TPS54614	3	6	1.8			2	6000	85	11	1000	700	HTSSOP	5.10	Low Input Voltage 6A Cont Buck Conv with 1.8V Output
TPS54615	3	6	2.5			2	6000	85	11	1000	700	HTSSOP	5.10	Low Input Voltage 6A Cont Buck Conv with 2.5V Output
TPS54616	4	6	3.3			2	6000	85	11	1000	700	HTSSOP	5.10	Low Input Voltage 6A Cont Buck Conv with 3.3V Output

\*Budgetary price per unit in U.S. dollars, lots of 1,000+

Preview devices announced but not yet in production appear in **BOLD**.

## ■ Switching DC/DC Regulation—DC/DC Converters (Integrated Switch) (Continued)

Device Name	V <sub>CC</sub>		Preset V <sub>OUT</sub> (V)	Sorted By V <sub>OUT</sub>		V <sub>OUT</sub> Accuracy (%)	Output Current (mA)	Efficiency (typ) (%)	I <sub>q</sub> (typ) (μA)	Shutdown Current (typ) (μA)	Switching Frequency (max) (kHz)	Package	Price*	Description
	(min) (V)	(max) (V)		(min) (V)	(max) (V)									
TPS54672	3	6		0.2	4.5		6000	90	10	1000	700	HTSSOP	4.99	Tracking - Termination Synchronous PWM Switcher with Integrated FETs
TPS54810	4.5	6		0.9	3.3	2	8000	85	11	1000	700	HTSSOP	5.34	5V Input 8A Cont Buck Conv with Adjustable Output Voltage
TPS54910	3	3.6		0.9	2.5	2	9000	90	11		700	HTSSOP	Call	3.3V Input 9A Cont Buck Conv with Adj Output Voltage

## ■ Switching DC/DC Regulation—Charge Pumps

Device Name	V <sub>CC</sub>		Preset V <sub>OUT</sub> (V)	Sorted By V <sub>OUT</sub>		V <sub>OUT</sub> Accuracy (%)	Output Current (mA)	Efficiency (typ) (%)	I <sub>q</sub> (typ) (μA)	Shutdown Current (typ) (μA)	Switching Frequency (max) (kHz)	Pin Count	Package	Price*	Description
	(min) (V)	(max) (V)		(min) (V)	(max) (V)										
<b>1-Cell Input</b>															
TPS60310	0.9	1.8	3.3	3.3	3.3	4	20	85	2		900	10	MSOP	1.42	3.3-V, 20-mA Ultra-Low Quiescent Current Charge Pump
TPS60311	0.9	1.8	3	3	3	4	20	85	2		900	10	MSOP	1.42	3-V, 20mA Ultra-Low Quiescent Current Charge Pump
TPS60312	0.9	1.8	3.3	3	3	4	20	85	2		900	10	MSOP	1.42	3.3-V, 20-mA, Ultra-Low Quiescent Current Charge Pump
TPS60313	0.9	1.8	3	3	3	4	20	85	2		900	10	MSOP	1.42	3-V, 20-mA Ultra-Low Quiescent Current Charge Pump
TPS60300	0.9	1.8	3.3	3.3	3.3	4	40	85	35	1	650	10	MSOP	1.26	3.0V/3.3V, 20mA Dual Output, High Efficiency Charge Pump
TPS60301	0.9	1.8	3	3	3	4	40	85	35	1	650	10	MSOP	1.26	3.0V/3.3V, 20mA Dual Output, High Efficiency Charge Pump
TPS60302	0.9	1.8	3.3	3.3	3.3	4	40	85	35	1	650	10	MSOP	1.26	3.0V/3.3V, 20mA Dual Output, High Efficiency Charge Pump
TPS60303	0.9	1.8	3	3	3	4	40	85	35	1	650	10	MSOP	1.26	to 3.0V/3.3V, 20mA Dual Output, High Efficiency Charge Pump
<b>1-Cell Li-Ion Input</b>															
TPS60240	1.8	5.5	3.3	3.3	3.3	2	12	90	250	0.1	220	8	MSOP	1.57	170 μVrms Zero-Ripple Switched Cap Boost Converter with Fixed 3.3V Output For VCO Supply
TPS60241	2.7	5.5	5	5	5	2	12	90	250	0.1	220	8	MSOP	1.57	170 μVrms Zero-Ripple Switched Cap Boost Converter with Fixed 5.0V Output For VCO Supply
TPS60242	1.8	5.5	2.7	2.7	2.7	2	12	90	250	0.1	220	8	MSOP	1.57	170 μVrms Zero-Ripple Switched Cap Boost Converter with Fixed 2.7V Output For VCO Supply
TPS60243	1.8	5.5	3	3	3	2	12	90	250	0.1	220	8	MSOP	1.57	170 μVrms Zero-Ripple Switched Cap Boost Converter with Fixed 3V Output For VCO Supply
REG710-25	1.8	5.5	2.5	2.5	2.5	6	30	90	65	0.01	1000	6	SOT23	0.91	30-mA Switched-Cap DC/DC Converter with fixed 2.5-V Output
REG710-27	1.8	5.5	2.7	2.7	2.7	6	30	90	65	0.01	1000	6	SOT23	0.91	30-mA Switched-Cap DC/DC Converter with fixed 2.7-V Output
REG710-3	1.8	5.5	3	3	3	6	30	90	65	0.01	1000	6	SOT23	0.91	30-mA Switched-Cap DC/DC Converter with fixed 3-V Output
REG710-33	1.8	5.5	3.3	3.3	3.3	6	30	90	65	0.01	1000	6	SOT23	0.91	30-mA Switched-Cap DC/DC Converter with fixed 3.3-V Output
REG710-5	2.7	5.5	5	5	5	6	30	90	65	0.01	1000	6	SOT23	0.91	30-mA Switched-Cap DC/DC Converter with fixed 5-V Output
REG711-25	1.8	5.5	2.5	2.5	2.5	5	50	90	60	0.01	1000	8	MSOP	1.26	50mA Switched-Cap DC/DC Converter

\*Budgetary price per unit in U.S. dollars, lots of 1,000+

Preview devices announced but not yet in production appear in **BOLD**.

■ Switching DC/DC Regulation—Charge Pumps (Continued)

Device Name	V <sub>CC</sub>		Preset V <sub>OUT</sub> (V)	V <sub>OUT</sub>		V <sub>OUT</sub> Accuracy (%)	Output Current (mA)	Efficiency (typ) (%)	I <sub>q</sub> (typ) (μA)	Shutdown Current (typ) (μA)	Switching Frequency (max) (kHz)	Pin Count	Package	Price*	Description
	(min) (V)	(max) (V)		(min) (V)	(max) (V)										
<b>1-Cell Li-Ion Input (Continued)</b>															
REG711-27	1.8	5.5	2.7	2.7	2.7	5	50	90	60	0.01	1000	8	MSOP	1.26	50mA Switched-Cap DC/DC Converter
REG711-3	1.8	5.5	3	3	3	5	50	90	60	0.01	1000	8	MSOP	1.26	50mA Switched-Cap DC/DC Converter
REG711-33	1.8	5.5	3.3	3.3	3.3	5	50	90	60	0.01	1000	8	MSOP	1.26	50mA Switched-Cap DC/DC Converter
REG711-5	2.7	5.5	5	5	5	5	50	90	60	0.01	1000	8	MSOP	1.26	50mA Switched-Cap DC/DC Converter
TPS60400	1.6	5.25		-1.6	-5.25		60	99	125		450	5	SOT23	0.47	60mA Charge Pump Voltage Inv with Variable Switching Freq
TPS60401	1.6	5.25		-1.6	-5.25		60	99	70		25	5	SOT23	0.47	60mA Charge Pump Voltage Inv with Fixed 20kHz Operation
TPS60402	1.6	5.25		-1.6	-5.25		60	99	275		80	5	SOT23	0.47	60mA Charge Pump Voltage Inv with Fixed 50kHz Operation
TPS60403	1.6	5.25		-1.6	-5.25		60	99	400		400	5	SOT23	0.47	60mA Charge Pump Voltage Inv with Fixed 250kHz Operation
TPS60111	2.7	5.4	5	5	5	4	150	70	50	1	400	20	HTSSOP	1.51	Regulated 5-V High-Pwr Low-Noise Charge Pump DC/DC Conv
TPS60132	2.7	5.4	5	5	5	4	150	85	60	1	450	20	HTSSOP	1.51	Regulated 5V high Efficiency Charge Pump DC/DC Converter
TPS60133	2.7	5.4	5	5	5	4	150	85	60	1	450	20	HTSSOP	1.51	Regulated 5V high Efficiency Charge Pump DC/DC Converter
TPS60500	1.8	6.5		0.8	3.3	3	250	90	40	0.05	1200	10	MSOP	1.35	250-mA Adjustable (0.8V-3.3V) High-Efficiency Step-Down Charge Pump
TPS60501	4.3	6.5	3.3	3.3	3.3	3	250	90	40	0.05	1200	10	MSOP	1.35	250-mA, 3.3-V High-Efficiency Step-Down Charge Pump
TPS60502	2.8	6.5	1.8	1.8	1.8	3	250	90	40	0.05	1200	10	MSOP	1.35	250-mA, 1.8-V High-Efficiency Step-Down Charge Pump
TPS60503	2.5	6.5	1.5	1.5	1.5	3	250	90	40	0.05	1200	10	MSOP	1.35	250-mA, 1.5-V High-Efficiency Step-Down Charge Pump
TPS60110	2.7	5.4	5	5	5	4	300	70	50	1	400	20	HTSSOP	1.82	Regulated 5-V High-Pwr Low-Noise Charge Pump DC/DC Conv
TPS60130	2.7	5.4	5	5	5	4	300	85	60	1	450	20	HTSSOP	1.82	Regulated 5V high Efficiency Charge Pump DC/DC Converter
TPS60131	2.7	5.4	5	5	5	4	300	85	60	1	450	20	HTSSOP	1.82	Regulated 5V high Efficiency Charge Pump DC/DC Converter
<b>2-Cell Input</b>															
TPS60202	1.8	3.6	3.3	3.3	3.3	4	50	70	40	1	400	10	MSOP	1.30	Regulated 3.3-V Low Ripple Charge Pump with Low Battery Ind
TPS60203	1.8	3.6	3.3	3.3	3.3	4	50	70	40	1	400	10	MSOP	1.30	Regulated 3.3-V Low Ripple Charge Pump with Power Good Ind
TPS60212	1.8	3.6	3.3	3.3	3.3	4	50	70	2		400	10	MSOP	1.38	Regulated 3.3-V 50-mA Low-Ripple Charge Pump with Ultra Low Operating Current
TPS60213	1.8	3.6	3.3	3.3	3.3	4	50	70	2		400	10	MSOP	1.38	Regulated 3.3-V 50-mA Low-Ripple Charge Pump with Ultra Low Operating Current
TPS60101	1.8	3.6	3.3	3.3	3.3	4	100	70	50	1	400	20	HTSSOP	1.51	Regulated 3.3-V High-Pwr Low-Noise Charge Pump DC/DC Conv
TPS60122	1.8	3.6	3.3	3.3	3.3	4	100	85	55	1	450	20	HTSSOP	1.51	Regulated 3.3-V High Efficiency Charge Pump DC/DC Converter
TPS60123	1.8	3.6	3.3	3.3	3.3	4	100	85	55	1	450	20	HTSSOP	1.51	Regulated 3.3-V High Efficiency Charge Pump DC/DC Converter
TPS60140	1.8	3.6	5	5	5	4	100	70	55	1	450	20	HTSSOP	1.51	Regulated 5-V Charge Pump Voltage Tripler with Low Batt Ind
TPS60141	1.8	3.6	5	5	5	4	100	70	55	1	450	20	HTSSOP	1.51	Regulated 5-V Charge Pump Voltage Tripler with Pwr Good Ind
TPS60200	1.8	3.6	3.3	3.3	3.3	4	100	70	40	1	400	10	MSOP	1.30	Regulated 3.3-V Low Ripple Charge Pump with Low Batt Ind
TPS60201	1.8	3.6	3.3	3.3	3.3	4	100	70	40	1	400	10	MSOP	1.30	Regulated 3.3-V Low Ripple Charge Pump with Pwr Good Ind
TPS60204	1.6	3.6	3.3	3.3	3.3	4	100	90	35	0.05	400	10	MSOP	1.30	Regulated 3.3-V Low Ripple Charge Pump with Low Batt Ind
TPS60205	1.6	3.6	3.3	3.3	3.3	4	100	90	35	0.05	400	10	MSOP	1.30	Regulated 3.3-V Low Ripple Charge Pump with Pwr Good Ind
TPS60210	1.8	3.6	3.3	3.3	3.3	4	100	70	2		400	10	MSOP	1.67	Regulated 3.3-V 100-mA Low-Ripple Charge Pump with Ultra Low Operating Current

\*Budgetary price per unit in U.S. dollars, lots of 1,000+

Preview devices announced but not yet in production appear in **BOLD**.

## ■ Switching DC/DC Regulation—Charge Pumps (Continued)

Device Name	V <sub>CC</sub>		Preset V <sub>OUT</sub> (V)	V <sub>OUT</sub>		V <sub>OUT</sub> Accuracy (%)	Sorted By		I <sub>q</sub> (typ) (μA)	Shutdown Current (typ) (μA)	Switching Frequency (max) (kHz)	Pin Count	Package	Price*	Description
	(min) (V)	(max) (V)		(min) (V)	(max) (V)		Output Current (mA)	Efficiency (typ) (%)							
<b>2-Cell Input (Continued)</b>															
TPS60211	1.8	3.6	3.3	3.3	3.3	4	100	70	2		400	10	MSOP	1.67	Regulated 3.3-V 100-mA Low-Ripple Charge Pump with Ultra Low Operating Current
TPS60100	1.8	3.6	3.3	3.3	3.3	4	200	70	50	1	400	20	HTSSOP	1.82	Regulated 3.3-V High-Pwr Low-Noise Charge Pump DC/DC Conv
TPS60120	1.8	3.6	3.3	3.3	3.3	4	200	85	55	1	450	20	HTSSOP	1.82	Regulated 3.3-V High Efficiency Charge Pump DC/DC Converter
TPS60121	1.8	3.6	3.3	3.3	3.3	4	200	85	55	1	450	20	HTSSOP	1.82	Regulated 3.3-V High Efficiency Charge Pump DC/DC Converter
TPS60124	1.8	3.6	3	3	3	4	200	85	55	0.05	450	20	HTSSOP	1.82	Regulated 3.0-V High Efficiency Charge Pump with Low Batt Ind
TPS60125	1.8	3.6	3	3	3	4	200	85	55	0.05	450	20	HTSSOP	1.82	Regulated 3.0-V High Efficiency Charge Pump with Pwr Good Ind
<b>Voltage Converter</b>															
LT1054	3.5	15	-5	-5	-5	4	100		2500	100	35	8	PDIP,SOIC	2.10	Switched-Capacitor Voltage Converters with Regulator

\*Budgetary price per unit in U.S. dollars, lots of 1,000+

Preview devices announced but not yet in production appear in **BOLD**.

■ PWM Power Supply Products—Current Mode

(Table continued on next page)

Device Name	Shutdown	Sorted By		Reference Voltage (V)	V <sub>ref</sub> Tol (%)	Startup Current (μA)	Shutdown Supply Current (μA)	Duty Cycle (max) (%)	Operating Supply Current (mA)	Operating Supply		Number of PWM Outputs	Error Amplifier GBW (MHz)	
		Output Current (mA)	Frequency (max) (kHz)							Pulse-by-Pulse I <sub>sense</sub>	(min) (V)			(max) (V)
UC2827-1	No	200	450	No	5	4	1000	1000	50	32	8.4	20	3	4
UC3827-1	No	200	450	No	5	4	1000	1000	50	32	8.4	20	3	4
<b>Dual Alternating, Totem Pole Output</b>														
UCC1806	Yes	200	1000	Yes	5.1	1	50	50	50	1.4	6.75	15	2	1
UCC2806	Yes	200	1000	Yes	5.1	1	50	50	50	1.4	6.75	15	2	1
UC1846	Yes	500	450	Yes	5.1	1	2000	2000	50	17	7	40	2	1
UC2846	Yes	500	450	Yes	5.1	1	2000	2000	50	17	7	40	2	1
UC2847	Yes	500	450	Yes	5.1	1	2000	2000	50	17	7	40	2	1
UC3846	Yes	500	450	Yes	5.1	1	2000	2000	50	17	7	40	2	1
UC3847	Yes	500	450	Yes	5.1	1	2000	2000	50	17	7	40	2	1
UCC2808-1	No	1000	1000	No		2	130	130	50	1	8.3	15	2	1
UCC2808-2	No	1000	1000	No		2	130	130	50	1	4.1	15	2	1
UCC2808A-1	No	1000	1000	No		2	130	130	50	1	8.3	15	2	1
UCC2808A-2	No	1000	1000	No		2	130	130	50	1	4.1	15	2	1
UCC3806	Yes	±1000	1000	Yes	5.1	1	50	50	50	1.4	6.75	15	2	1
UCC3808-1	No	±1000	1000	No		2	130	130	50	1	8.3	15	2	2
UCC3808-2	No	±1000	1000	No		2	130	130	50	1	4.1	15	2	2
UCC3808A-1	No	±1000	1000	No		2	130	130	50	1	8.3	15	2	2
UCC3808A-2	No	±1000	1000	No		2	130	130	50	1	4.1	15	2	2
UC1825	Yes	1500	1000	Yes	5.1	1	1100	1100	50	22	8.4	30	2	5.5
UC1856	Yes	1500	1000	No	5.1	1			50	18	8	40	2	1.5
UC2825	Yes	1500	1000	Yes	5.1	1	1100	1100	50	22	8.4	30	2	5.5
UC2856	Yes	1500	1000	No	5.1	1			50	18	8	40	2	1.5
UC3825	Yes	1500	1000	Yes	5.1	1	1100	1100	50	22	8.4	30	2	5.5
UC3856	Yes	1500	1000	No	5.1	1			50	18	8	40	2	1.5
UC1825A	Yes	2000	1000	Yes	5.1	1	100	100	50	28	8.4	22	2	12
UC2825A	Yes	2000	1000	Yes	5.1	1	100	100	50	28	8.4	22	2	12
UC2825B	Yes	2000	1000	Yes	5.1	1	100	100	50	28	10	22	2	12
UC3825A	Yes	2000	1000	Yes	5.1	1	100	100	50	28	8.4	22	2	12
UC3825B	Yes	2000	1000	Yes	5.1	1	100	100	50	28	10	22	2	12
<b>Dual Complementary Output</b>														
UC2827-2	No	200	450	No	5	4	1000	1000	50	32	8.4	20	3	4
UC3827-2	No	200	450	No	5	4	1000	1000	50	32	8.4	20	3	4
<b>Dual Complementary, Totem Pole Output</b>														
UC2824	Yes	1500	1000	Yes	5.1	1	1100	1100	100	22	8.4	30	2	5.5
UC3824	Yes	1500	1000	Yes	5.1	1	1100	1100	100	22	8.4	30	2	5.5

\*Budgetary price per unit in U.S. dollars, lots of 1,000+

Preview devices announced but not yet in production appear in **BOLD**.

(Table continued from previous page)

Device Name	Pin Count	Light Load Efficiency Features	Cycle-by-Cycle Current Limiting	Advanced Fault Response	Secondary Side		Synchronous Rectification Features	UVLO On/Off (V)	Package	Price*	Description
					Control Features	Post Regulator					
UC2827-1	24	No	Yes	No	Yes	No	No	9/8.4	PDIP,SOIC	3.03	Buck Current/Voltage Fed Push-Pull PWM Controllers
UC3827-1	24	No	Yes	No	Yes	No	No	9/8.4	PDIP,PLCC,SOIC	5.37	Buck Current/Voltage Fed Push-Pull PWM Controllers
UCC1806	16	No	Yes	Yes	No	No	No	7.5/6.75	CDIP,LCCC	16.29	Low Power, Dual Output, Current Mode PWM Controller
UCC2806	16	No	Yes	Yes	No	No	No	7.5/6.75	CDIP,PDIP,PLCC,SOIC,SSOP,TSSOP	4.84	Low Power, Dual Output, Current Mode PWM Controller
UC1846	16	No	Yes	Yes	No	No	No	7.7/6.95	CDIP,LCCC	9.80	Current Mode PWM Controller
UC2846	16	No	Yes	Yes	No	No	No	7.7/6.95	CDIP,PDIP,PLCC,SOIC	2.74	Current Mode PWM Controller
UC2847	16	No	Yes	Yes	No	No	No	7.7/6.95	PDIP,SOIC	4.59	Current Mode PWM Controller
UC3846	16	No	Yes	Yes	No	No	No	7.7/6.95	CDIP,PDIP,PLCC,SOIC	2.06	Current Mode PWM Controller
UC3847	16	No	Yes	Yes	No	No	No	7.7/6.95	CDIP,PDIP,SOIC	2.72	Current Mode PWM Controller
UCC2808-1	8	No	Yes	Yes	No	No	No	12.5/8.3	PDIP,SOIC	1.66	Low Power Current Mode Push-Pull PWM
UCC2808-2	8	No	Yes	Yes	No	No	No	4.3/4.1	PDIP,SOIC	1.66	Low Power Current Mode Push-Pull PWM
UCC2808A-1	8	No	Yes	Yes	No	No	No	12.5/8.3	PDIP,SOIC,TSSOP	1.66	Low-Power Current-Mode Push-Pull PWM
UCC2808A-2	8	No	Yes	Yes	No	No	No	4.3/4.1	PDIP,SOIC,TSSOP	1.66	Low-Power Current-Mode Push-Pull PWM
UCC3806	16	No	Yes	Yes	No	No	No	7.5/6.75	CDIP,PDIP,PLCC,SOIC,TSSOP	3.88	Low Power, Dual Output, Current Mode PWM Controller
UCC3808-1	8	No	Yes	Yes	No	No	No	12.5/8.3	PDIP,SOIC	1.51	Low Power Current Mode Push-Pull PWM
UCC3808-2	8	No	Yes	Yes	No	No	No	4.3/4.1	PDIP,SOIC	1.51	Low Power Current Mode Push-Pull PWM
UCC3808A-1	8	No	Yes	Yes	No	No	No	12.5/8.3	PDIP,SOIC,TSSOP	1.51	Low-Power Current-Mode Push-Pull PWM
UCC3808A-2	8	No	Yes	Yes	No	No	No	4.3/4.1	PDIP,SOIC,TSSOP	1.51	Low-Power Current-Mode Push-Pull PWM
UC1825	16	No	Yes	No	No	No	No	9.2/8.4	CDIP,LCCC	13.37	High Speed PWM Controller
UC1856	16	No	Yes	Yes	No	No	No	7.7/7	CDIP,LCCC	14.10	Improved Current Mode PWM Controller
UC2825	16	No	Yes	No	No	No	No	9.2/8.4	CDIP,PDIP,PLCC,SOIC	2.82	High Speed PWM Controller
UC2856	16	No	Yes	Yes	No	No	No	7.7/7	CDIP,PDIP,SOIC	6.37	Improved Current Mode PWM Controller
UC3825	16	No	Yes	No	No	No	No	9.2/8.4	CDIP,PDIP,PLCC,SOIC	2.18	High Speed PWM Controller
UC3856	16	No	Yes	Yes	No	No	No	7.7/7	CDIP,PDIP,PLCC,SOIC	3.98	Improved Current Mode PWM Controller
UC1825A	16	No	Yes	Yes	No	No	No	16/10	CDIP,LCCC	33.55	High Speed PWM Controller
UC2825A	16	No	Yes	Yes	No	No	No	16/10	PDIP,PLCC,SOIC	5.57	High Speed PWM Controller
UC2825B	16	No	Yes	Yes	No	No	No	9.2/8.4	PDIP,SOIC	5.57	High Speed PWM Controller
UC3825A	16	No	Yes	Yes	No	No	No	16/10	PDIP,PLCC,SOIC	4.86	High Speed PWM Controller
UC3825B	16	No	Yes	Yes	No	No	No	9.2/8.4	PDIP,PLCC,SOIC	4.86	High Speed PWM Controller
UC2827-2	24	No	Yes	No	Yes	No	No	9/8.4	PDIP,SOIC	3.03	Buck Current/Voltage Fed Push-Pull PWM Controllers
UC3827-2	24	No	Yes	No	Yes	No	No	9/8.4	PDIP,SOIC	5.37	Buck Current/Voltage Fed Push-Pull PWM Controllers
UC2824	16	No	Yes	No	Yes	Yes	Yes	9.2/8.4	PDIP,PLCC,SOIC	5.66	High Speed PWM Controller
UC3824	16	No	Yes	No	Yes	Yes	Yes	9.2/8.4	PDIP,SOIC	4.32	High Speed PWM Controller

\*Budgetary price per unit in U.S. dollars, lots of 1,000+

Preview devices announced but not yet in production appear in **BOLD**.

Product Overview  
Amplifiers & Comparators  
Audio Products  
Clocks & Timers  
Control & Monitoring  
Data Converters  
Interface Products  
Micro-controllers  
Power Management  
RF Products  
Wireless & Telecom  
Video & Imaging  
Product Index

■ PWM Power Supply Products—Current Mode (Continued)

(Table continued on next page)

Device Name	Shutdown	Sorted By	Frequency (max) (kHz)	Pulse-by-Pulse $I_{sense}$	Reference Voltage (V)	$V_{ref}$ Tol (%)	Startup Current ( $\mu$ A)	Shutdown Supply Current ( $\mu$ A)	Duty Cycle (max) (%)	Operating Supply Current (mA)	Operating Supply		Number of PWM Outputs	Error Amplifier GBW (MHz)
		Output Current (mA)									(min) (V)	(max) (V)		
<b>Dual, Totem Pole Output</b>														
UCC2810	No	$\pm$ 1000	1000	Yes	5	1.5	150	150	50	2	8.3	11	2	2
UCC3810	No	$\pm$ 1000	1000	Yes	5	2	150	150	50	2	8.3	11	2	2
<b>Single Output</b>														
UC3841	Yes	1000	450	Yes	5	1	4500		95	10	8	32	1	2
UCC3884	Yes	$\pm$ 1000	750	Yes	5	2.8	200	200	78	5	8.8	15	1	2.5
UC2886	No	1500	400	No	5	1.5				10	10.3	20	1	3.5
UC3886	No	1500	400	No	5	1.5			95	10	10.3	20	1	3.5
<b>Single Totem Pole Output</b>														
UCC3809-1	Yes	0.4/-0.8	1000	Yes	5	5	100	100	90	0.6	8	17.5	1	0
UCC3809-2	Yes	0.4/-0.8	1000	Yes	5	5	100	100	90	0.6	8	17.5	1	0
UCC2809-1	Yes	-0.5	1000	Yes	5	5	100	100	100	0.6	8	17.5	1	
UCC2809-2	Yes	-0.5	1000	Yes	5	5	100	100	100	0.6	8	17.5	1	
TL2842	No	200	500	Yes	5	1	500	1000	100	11	10	30	1	1
TL2843	No	200	500	Yes	5	1	500	1000	100	11	7.6	30	1	1
TL2844	No	200	500	Yes	5	1	500	1000	50	11	10	30	1	1
TL2845	No	200	500	Yes	5	1	500	1000	50	11	7.6	30	1	1
TL3842	No	200	500	Yes	5	2	500	1000	100	11	10	30	1	1
TL3843	No	200	500	Yes	5	2	500	1000	100	11	7.6	30	1	1
TL3844	No	200	500	Yes	5	2	500	1000	50	11	10	30	1	1
TL3845	No	200	500	Yes	5	2	500	1000	50	11	7.6	30	1	1
UC2851	Yes	400	450	Yes	5	1	4500	4500	50	15		32	1	2
UC3851	Yes	400	450	Yes	5	1	4500	4500	50	15		32	1	2
UC1842	No	$\pm$ 1000	450	Yes	5	1	1000	1000	100	11	10	30	1	1
UC1842A	No	$\pm$ 1000	450	Yes	5	1	300	300	100	11	10	30	1	1
UC1843	No	$\pm$ 1000	450	Yes	5	1	1000	1000	100	11	7.6	30	1	1
UC1843A	No	$\pm$ 1000	450	Yes	5	1	300	300	100	11	7.6	30	1	1
UC1844	No	$\pm$ 1000	450	Yes	5	1	1000	1000	50	11	10	30	1	1
UC1844A	No	$\pm$ 1000	450	Yes	5	1	300	300	50	11	10	30	1	1
UC1845	No	$\pm$ 1000	450	Yes	5	1	1000	1000	50	11	7.6	30	1	1
UC1845A	No	$\pm$ 1000	450	Yes	5	1	300	300	50	11	7.6	30	1	1
UC2842	No	$\pm$ 1000	450	Yes	5	1	1000	1000	100	11	10	30	1	1
UC2842A	No	$\pm$ 1000	450	Yes	5	1	300	300	100	11	10	30	1	1
UC2843	No	$\pm$ 1000	450	Yes	5	1	1000	1000	100	11	7.6	30	1	1
UC2843A	No	$\pm$ 1000	450	Yes	5	1	300	300	100	11	7.6	30	1	1
UC2844	No	$\pm$ 1000	450	Yes	5	1	1000	1000	50	11	10	30	1	1
UC2844A	No	$\pm$ 1000	450	Yes	5	1	300	300	50	11	10	30	1	1

\*Budgetary price per unit in U.S. dollars, lots of 1,000+

Preview devices announced but not yet in production appear in **BOLD**.



(Table continued from previous page)

Device Name	Pin Count	Light Load Efficiency Features	Cycle-by-Cycle Current Limiting	Advanced Fault Response	Secondary Side		Synchronous Rectification Features	UVLO On/Off (V)	Package	Price*	Description
					Control Features	Post Regulator					
UCC2810	16	No	Yes	Yes	No	No	No	11.3/8.3	PDIP,SOIC	3.24	Dual Channel Synchronized Current Mode PWM
UCC3810	16	No	Yes	Yes	No	No	No	11.3/8.3	PDIP,SOIC	1.72	Dual Channel Synchronized Current Mode PWM
UC3841	18	No	Yes	Yes				8/7.8	CDIP,PDIP,PLCC,SOIC	4.08	Pgrmable, Off-Line, PWM Controller
UCC3884	16	Yes	Yes	Yes	No	No	No	9.1/8.8	PDIP,SOIC	1.52	Frequency Foldback Current Mode PWM Controller
UC2886	16	No	Yes	No	Yes	No	No		SOIC	2.91	Average Current Mode PWM Controller IC
UC3886	16	No	Yes	No	Yes	No	No	10.3/10	PDIP,SOIC	2.41	Average Current Mode PWM Controller IC
UCC3809-1	8	No	Yes	No	No	No	No	8-Oct	MSOP,PDIP,SOIC,TSSOP	0.79	Economy Primary Side Controller
UCC3809-2	8	No	Yes	No	No	No	No	15/8	MSOP,PDIP,SOIC,TSSOP	0.79	Economy Primary Side Controller
UCC2809-1	8	No	Yes	No	No	No	No	8-Oct	MSOP,SOIC,TSSOP	0.87	Economy Primary Side Controller
UCC2809-2	8	No	Yes	No	No	No	No	15/8	MSOP,SOIC,TSSOP	0.87	Economy Primary Side Controller
TL2842	8,14	No	Yes	No	No	No	No	16/10	PDIP,SOIC	0.64	Current-Mode PWM Controller
TL2843	8,14	No	Yes	No	No	No	No	8.4/7.6	PDIP,SOIC	0.64	Current-Mode PWM Controller
TL2844	8,14	No	Yes	No	No	No	No	16/10	PDIP,SOIC	0.64	Current-Mode PWM Controller
TL2845	8,14	No	Yes	No	No	No	No	8.4/7.6	PDIP,SOIC	0.64	Current-Mode PWM Controller
TL3842	8,14	No	Yes	No	No	No	No	16/10	PDIP,SOIC	0.49	Current-Mode PWM Controller
TL3843	8,14	No	Yes	No	No	No	No	8.4/7.6	PDIP,SOIC	0.49	Current-Mode PWM Controller
TL3844	8,14	No	Yes	No	No	No	No	16/10	PDIP,SOIC	0.49	Current-Mode PWM Controller
TL3845	8,14	No	Yes	No	No	No	No	8.4/7.6	PDIP,SOIC	0.49	Current-Mode PWM Controller
UC2851	18	No	Yes	Yes	No	No	No	8/7.8	PDIP,SOIC	5.88	Pgrmable, Off-Line, PWM Controller
UC3851	18	No	Yes	Yes	No	No	No	8/7.8	PDIP,SOIC	4.53	Pgrmable, Off-Line, PWM Controller
UC1842	8	No	Yes	No	No	No	No	16/10	CDIP,LCCC	10.77	Current Mode PWM Controller
UC1842A	8	No	Yes	No	No	No	No	16/10	CDIP,LCCC	10.94	Current Mode PWM Controller
UC1843	8	No	Yes	No	No	No	No	8.4/7.6	CDIP,LCCC	10.77	Current Mode PWM Controller
UC1843A	8	No	Yes	No	No	No	No	8.4/7.6	CDIP,LCCC	10.94	Current Mode PWM Controller
UC1844	8	No	Yes	No	No	No	No	16/10	CDIP,LCCC	10.77	Current Mode PWM Controller
UC1844A	8	No	Yes	No	No	No	No	16/10	CDIP,LCCC	10.94	Current Mode PWM Controller
UC1845	8	No	Yes	No	No	No	No	8.4/7.6	CDIP,LCCC	10.77	Current Mode PWM Controller
UC1845A	8	No	Yes	No	No	No	No	8.4/7.6	CDIP,LCCC	10.94	Current Mode PWM Controller
UC2842	8	No	Yes	No	No	No	No	16/10	PDIP,SOIC	0.84	Current-Mode PWM Controller
UC2842A	8	No	Yes	No	No	No	No	16/10	PDIP,SOIC	1.00	Current Mode PWM Controller
UC2843	8	No	Yes	No	No	No	No	8.4/7.6	PDIP,SOIC	1.08	Current-Mode PWM Controller
UC2843A	8	No	Yes	No	No	No	No	8.4/7.6	PDIP,PLCC,SOIC	0.93	Current Mode PWM Controller
UC2844	8	No	Yes	No	No	No	No	16/10	SOIC	1.08	Current-Mode PWM Controller
UC2844A	8	No	Yes	No	No	No	No	16/10	PDIP,SOIC	0.99	Current Mode PWM Controller

\*Budgetary price per unit in U.S. dollars, lots of 1,000+

Preview devices announced but not yet in production appear in **BOLD**.

- Product Overview
- Amplifiers & Comparators
- Audio Products
- Clocks & Timers
- Control & Monitoring
- Data Converters
- Interface Products
- Micro-controllers
- Power Management
- RF Products
- Wireless & Telecom
- Video & Imaging
- Product Index

■ PWM Power Supply Products—Current Mode (Continued)

(Table continued on next page)

Device Name	Shutdown	Sorted By	Frequency (max) (kHz)	Pulse-by-Pulse $I_{sense}$	Reference Voltage (V)	$V_{ref}$ Tol (%)	Startup Current ( $\mu$ A)	Shutdown Supply Current ( $\mu$ A)	Duty Cycle (max) (%)	Operating Supply Current (mA)	Operating Supply		Number of PWM Outputs	Error Amplifier GBW (MHz)
		Output Current (mA)									(min) (V)	(max) (V)		
<b>Single Totem Pole Output (Continued)</b>														
UC2845	No	$\pm$ 1000	450	Yes	5	1	1000	1000	50	11	7.6	30	1	1
UC2845A	No	$\pm$ 1000	450	Yes	5	1	300	300	50	11	7.6	30	1	1
UC3842	No	$\pm$ 1000	450	Yes	5	1	1000	1000	100	11	10	30	1	1
UC3842A	No	$\pm$ 1000	450	Yes	5	1	300	300	100	11	10	30	1	1
UC3843	No	$\pm$ 1000	450	Yes	5	1	1000	1000	100	11	7.6	30	1	1
UC3843A	No	$\pm$ 1000	450	Yes	5	1	300	300	100	11	7.6	30	1	1
UC3844	No	$\pm$ 1000	450	Yes	5	1	1000	1000	50	11	10	30	1	1
UC3844A	No	$\pm$ 1000	450	Yes	5	1	300	300	50	11	10	30	1	1
UC3845	No	$\pm$ 1000	450	Yes	5	1	1000	1000	50	11	7.6	30	1	1
UC3845A	No	$\pm$ 1000	450	Yes	5	1	300	300	50	11	7.6	30	1	1
UCC1800	No	$\pm$ 1000	1000	Yes	5	1.5	100	100	100	0.5	6.9	12	1	2
UCC1801	No	$\pm$ 1000	1000	Yes	5	1.5	100	100	50	0.5	7.4	12	1	2
UCC1802	No	$\pm$ 1000	1000	Yes	5	1.5	100	100	100	0.5	8.3	12	1	2
UCC1803	No	$\pm$ 1000	1000	Yes	4	1.5	100	100	100	0.5	3.6	12	1	2
UCC1804	No	$\pm$ 1000	1000	Yes	5	1.5	100	100	50	0.5	8.3	12	1	2
UCC1805	No	$\pm$ 1000	1000	Yes	4	1.5	100	100	50	0.5	3.6	12	1	2
UCC2800	No	$\pm$ 1000	1000	Yes	5	1.5	100	100	100	0.5	6.9	12	1	2
UCC2801	No	$\pm$ 1000	1000	Yes	5	1.5	100	100	50	0.5	7.4	12	1	2
UCC2802	No	$\pm$ 1000	1000	Yes	5	1.5	100	100	100	0.5	8.3	12	1	2
UCC2803	No	$\pm$ 1000	1000	Yes	4	1.5	100	100	100	0.5	3.6	12	1	2
UCC2804	No	$\pm$ 1000	1000	Yes	5	1.5	100	100	50	0.5	8.3	12	1	2
UCC2805	No	$\pm$ 1000	1000	Yes	4	1.5	100	100	50	0.5	3.6	12	1	2
UCC2807-1	No	$\pm$ 1000	1000	Yes	2	1.5	100	100	78	1.3	6.9	13.5	1	2
UCC2807-2	No	$\pm$ 1000	1000	Yes	2	1.5	100	100	78	1.3	8.3	13.5	1	2
UCC2807-3	No	$\pm$ 1000	1000	Yes	2	1.5	100	100	78	1.3	4.1	13.5	1	2
UCC2813-0	No	$\pm$ 1000	1000	Yes	5	1.5	100	100	100	0.5	6.9	12	1	2
UCC2813-1	No	$\pm$ 1000	1000	Yes	5	1.5	100	100	50	0.5	7.4	12	1	2
UCC2813-2	No	$\pm$ 1000	1000	Yes	5	1.5	100	100	100	0.5	8.3	12	1	2
UCC2813-3	No	$\pm$ 1000	1000	Yes	4	1.5	100	100	100	0.5	3.6	12	1	2
UCC2813-4	No	$\pm$ 1000	1000	Yes	5	1.5	100	100	50	0.5	8.3	12	1	2
UCC2813-5	No	$\pm$ 1000	1000	Yes	4	1.5	100	100	50	0.5	3.6	12	1	2
UCC28C40	No	$\pm$ 1000	1000	Yes	5	2	50	50	100	2.3	6.6	20	1	1.5
UCC28C41	No	$\pm$ 1000	1000	Yes	5	2	50	50	50	2.3	6.6	20	1	1.5
UCC28C42	No	$\pm$ 1000	1000	Yes	5	2	50	50	100	2.3	9	20	1	1.5
UCC28C43	No	$\pm$ 1000	1000	Yes	5	2	50	50	100	2.3	7.6	20	1	1.5
UCC28C44	No	$\pm$ 1000	1000	Yes	5	2	50	50	50	2.3	9	20	1	1.5

\*Budgetary price per unit in U.S. dollars, lots of 1,000+

Preview devices announced but not yet in production appear in **BOLD**.

(Table continued from previous page)

Device Name	Pin Count	Light Load Efficiency Features	Cycle-by-Cycle Current Limiting	Advanced Fault Response	Secondary Side		Synchronous Rectification Features	UVLO On/Off (V)	Package	Price*	Description
					Control Features	Post Regulator					
UC2845	8	No	Yes	No	No	No	No	8.4/7.6	PDIP,SOIC	1.07	Current-Mode PWM Controller
UC2845A	8	No	Yes	No	No	No	No	8.4/7.6	PDIP,SOIC	0.99	Current Mode PWM Controller
UC3842	8	No	Yes	No	No	No	No	16/10	PDIP,SOIC	0.73	Current-Mode PWM Controller
UC3842A	8	No	Yes	No	No	No	No	16/10	PDIP,SOIC	0.75	Current Mode PWM Controller
UC3843	8	No	Yes	No	No	No	No	8.4/7.6	PDIP,SOIC	0.75	Current-Mode PWM Controller
UC3843A	8	No	Yes	No	No	No	No	8.4/7.6	PDIP,SOIC	0.75	Current Mode PWM Controller
UC3844	8	No	Yes	No	No	No	No	16/10	PDIP,SOIC	0.75	Current-Mode PWM Controller
UC3844A	8	No	Yes	No	No	No	No	16/10	PDIP,SOIC	0.75	Current Mode PWM Controller
UC3845	8	No	Yes	No	No	No	No	8.4/7.6	PDIP,SOIC	0.75	Current-Mode PWM Controller
UC3845A	8	No	Yes	No	No	No	No	8.4/7.6	PDIP,SOIC	0.75	Current Mode PWM Controller
UCC1800	8	No	Yes	Yes	No	No	No	7.2/6.9	CDIP,LCCC	11.77	Low-Power BiCMOS Current-Mode PWM
UCC1801	8	No	Yes	Yes	No	No	No	9.4/7.4	CDIP	11.77	Low-Power BiCMOS Current-Mode PWM
UCC1802	8	No	Yes	Yes	No	No	No	12.5/8.3	CDIP	11.77	Low-Power BiCMOS Current-Mode PWM
UCC1803	8	No	Yes	Yes	No	No	No	4.1/3.6	CDIP	11.77	Low-Power BiCMOS Current-Mode PWM
UCC1804	8	No	Yes	Yes	No	No	No	12.5/8.3	CDIP	11.77	Low-Power BiCMOS Current-Mode PWM
UCC1805	8	No	Yes	Yes	No	No	No	4.1/3.6	CDIP	11.77	Low-Power BiCMOS Current-Mode PWM
UCC2800	8	No	Yes	Yes	No	No	No	7.2/6.9	PDIP,SOIC,TSSOP	1.76	Low-Power BiCMOS Current-Mode PWM
UCC2801	8	No	Yes	Yes	No	No	No	9.4/7.4	PDIP,SOIC,TSSOP	1.76	Low-Power BiCMOS Current-Mode PWM
UCC2802	8	No	Yes	Yes	No	No	No	12.5/8.3	CDIP,PDIP,SOIC,TSSOP	1.76	Low-Power BiCMOS Current-Mode PWM
UCC2803	8	No	Yes	Yes	No	No	No	4.1/3.6	CDIP,PDIP,SOIC,TSSOP	1.62	Low-Power BiCMOS Current-Mode PWM
UCC2804	8	No	Yes	Yes	No	No	No	12.5/8.3	CDIP,PDIP,SOIC,TSSOP	1.62	Low-Power BiCMOS Current-Mode PWM
UCC2805	8	No	Yes	Yes	No	No	No	4.1/3.6	CDIP,PDIP,SOIC,TSSOP	1.76	Low-Power BiCMOS Current-Mode PWM
UCC2807-1	8	No	Yes	Yes	No	No	No	7.2/6.9	PDIP,SOIC	1.92	Pgrmable Maximum Duty Cycle PWM Controller
UCC2807-2	8	No	Yes	Yes	No	No	No	12.5/8.3	PDIP,SOIC	1.92	Pgrmable Maximum Duty Cycle PWM Controller
UCC2807-3	8	No	Yes	Yes	No	No	No	4.3/4.1	SOIC	1.92	Pgrmable Maximum Duty Cycle PWM Controller
UCC2813-0	8	No	Yes	Yes	No	No	No	7.2/6.9	PDIP,SOIC,TSSOP	1.24	Low Power Economy BiCMOS Current Mode PWM
UCC2813-1	8	No	Yes	Yes	No	No	No	9.4/7.4	PDIP,SOIC,TSSOP	1.24	Low Power Economy BiCMOS Current Mode PWM
UCC2813-2	8	No	Yes	Yes	No	No	No	12.5/8.3	PDIP,SOIC,TSSOP	1.24	Low Power Economy BiCMOS Current Mode PWM
UCC2813-3	8	No	Yes	Yes	No	No	No	4.1/3.6	SOIC,TSSOP	1.24	Low Power Economy BiCMOS Current Mode PWM
UCC2813-4	8	No	Yes	Yes	No	No	No	12.5/8.3	PDIP,SOIC,TSSOP	1.24	Low Power Economy BiCMOS Current Mode PWM
UCC2813-5	8	No	Yes	Yes	No	No	No	4.1/3.6	PDIP,SOIC,TSSOP	1.24	Low Power Economy BiCMOS Current Mode PWM
UCC28C40	8	No	Yes	No	No	No	No	7/6.6	MSOP,PDIP,SOIC	1.10	BiCMOS Low-Power Current Mode PWM Controller
UCC28C41	8	No	Yes	No	No	No	No	7/6.6	MSOP,PDIP,SOIC	1.12	BiCMOS Low-Power Current Mode PWM Controller
UCC28C42	8	No	Yes	No	No	No	No	14.5/9	MSOP,PDIP,SOIC	1.12	BiCMOS Low Current PWM Current Mode Controller
UCC28C43	8	No	Yes	No	No	No	No	8.4/7.6	MSOP,PDIP,SOIC	1.12	BiCMOS Low-Power Current Mode PWM Controller
UCC28C44	8	No	Yes	No	No	No	No	14.5/9	MSOP,PDIP,SOIC	1.12	BiCMOS Low-Power Current Mode PWM Controller

\*Budgetary price per unit in U.S. dollars, lots of 1,000+

Preview devices announced but not yet in production appear in **BOLD**.

Product Overview  
Amplifiers & Comparators  
Audio Products  
Clocks & Timers  
Control & Monitoring  
Data Converters  
Interface Products  
Micro-controllers  
Power Management  
RF Products  
Wireless & Telecom  
Video & Imaging  
Product Index

■ PWM Power Supply Products—Current Mode (Continued)

(Table continued on next page)

Device Name	Shutdown	Sorted By	Frequency (max) (kHz)	Pulse-by-Pulse $I_{sense}$	Reference Voltage (V)	$V_{ref}$ Tol (%)	Startup Current ( $\mu$ A)	Shutdown Supply Current ( $\mu$ A)	Duty Cycle (max) (%)	Operating Supply Current (mA)	Operating Supply		Number of PWM Outputs	Error Amplifier GBW (MHz)
		Output Current (mA)									(min) (V)	(max) (V)		
<b>Single Totem Pole Output (Continued)</b>														
UCC28C45	No	$\pm$ 1000	1000	Yes	5	2	50	50	50	2.3	7.6	20	1	1.5
UCC3800	No	$\pm$ 1000	1000	Yes	5	1.5	100	100	100	0.5	6.9	12	1	2
UCC3801	No	$\pm$ 1000	1000	Yes	5	1.5	100	100	50	0.5	7.4	12	1	2
UCC3802	No	$\pm$ 1000	1000	Yes	5	1.5	100	100	100	0.5	8.3	12	1	2
UCC3803	No	$\pm$ 1000	1000	Yes	4	1.5	100	100	100	0.5	3.6	12	1	2
UCC3804	No	$\pm$ 1000	1000	Yes	5	1.5	100	100	50	0.5	8.3	12	1	2
UCC3805	No	$\pm$ 1000	1000	Yes	4	1.5	100	100	50	0.5	3.6	12	1	2
UCC3807-1	No	$\pm$ 1000	1000	Yes	2	1.5	100	100	78	1.3	6.9	13.5	1	2
UCC3807-2	No	$\pm$ 1000	1000	Yes	2	1.5	100	100	78	1.3	8.3	13.5	1	2
UCC3807-3	No	$\pm$ 1000	1000	Yes	2	1.5	100	100	78	1.3	4.1	13.5	1	2
UCC3813-0	No	$\pm$ 1000	1000	Yes	5	1.5	100	100	100	0.5	6.9	12	1	2
UCC3813-1	No	$\pm$ 1000	1000	Yes	5	1.5	100	100	50	0.5	7.4	12	1	2
UCC3813-2	No	$\pm$ 1000	1000	Yes	5	1.5	100	100	100	0.5	8.3	12	1	2
UCC3813-3	No	$\pm$ 1000	1000	Yes	4	1.5	100	100	100	0.5	3.6	12	1	2
UCC3813-4	No	$\pm$ 1000	1000	Yes	5	1.5	100	100	50	0.5	8.3	12	1	2
UCC3813-5	No	$\pm$ 1000	1000	Yes	4	1.5	100	100	50	0.5	3.6	12	1	2
UCC38C40	No	$\pm$ 1000	1000	Yes	5	2	50	50	100	2.3	6.6	20	1	1.5
UCC38C41	No	$\pm$ 1000	1000	Yes	5	2	50	50	50	2.3	6.6	20	1	1.5
UCC38C42	No	$\pm$ 1000	1000	Yes	5	2	50	50	100	2.3	9	20	1	1.5
UCC38C43	No	$\pm$ 1000	1000	Yes	5	2	50	50	100	2.3	7.6	20	1	1.5
UCC38C44	No	$\pm$ 1000	1000	Yes	5	2	50	50	50	2.3	9	20	1	1.5
UCC38C45	No	$\pm$ 1000	1000	Yes	5	2	50	50	50	2.3	7.6	20	1	1.5
UC1823	Yes	1500	1000	Yes	5.1	1	1100	1100	100	22	8.4	30	1	5.5
UC2823	Yes	1500	1000	Yes	5.1	1	1100	1100	100	22	8.4	30	1	5.5
UC3823	Yes	1500	1000	Yes	5.1	1	1100	1100	100	22	8.4	30	1	5.5
UC1823A	Yes	2000	1000	Yes	5.1	1	100	100	100	28	8.4	22	1	12
UC2823A	Yes	2000	1000	Yes	5.1	1	100	100	100	28	8.4	22	1	12
UC2823B	Yes	2000	1000	Yes	5.1	1	100	100	100	28	10	22	1	12
UC2848	No	2000	450	No	5	1	500	500	100	22	10	22	1	
UC3823A	Yes	2000	1000	Yes	5.1	1	100	100	100	28	8.4	22	1	12
UC3823B	Yes	2000	1000	Yes	5.1	1	100	100	100	28	10	22	1	12
UC3848	No	2000	450	No	5	1	500	500	100	22	10	22	1	

\*Budgetary price per unit in U.S. dollars, lots of 1,000+

Preview devices announced but not yet in production appear in **BOLD**.

(Table continued from previous page)

Device Name	Pin Count	Light Load Efficiency Features	Cycle-by-Cycle Current Limiting	Advanced Fault Response	Secondary Side		Synchronous Rectification Features	UVLO On/Off (V)	Package	Price*	Description
					Control Features	Post Regulator					
UCC28C45	8	No	Yes	No	No	No	No	8.4/7.6	MSOP,PDIP,SOIC	1.12	BiCMOS Low-Power Current Mode PWM Controller
UCC3800	8	No	Yes	Yes	No	No	No	7.2/6.9	PDIP,SOIC,TSSOP	1.22	Low-Power BiCMOS Current-Mode PWM
UCC3801	8	No	Yes	Yes	No	No	No	9.4/7.4	PDIP,SOIC,TSSOP	1.22	Low-Power BiCMOS Current-Mode PWM
UCC3802	8	No	Yes	Yes	No	No	No	12.5/8.3	PDIP,SOIC,TSSOP	1.22	Low-Power BiCMOS Current-Mode PWM
UCC3803	8	No	Yes	Yes	No	No	No	4.1/3.6	PDIP,SOIC,TSSOP	1.22	Low-Power BiCMOS Current-Mode PWM
UCC3804	8	No	Yes	Yes	No	No	No	12.5/8.3	PDIP,SOIC,TSSOP	1.22	Low-Power BiCMOS Current-Mode PWM
UCC3805	8	No	Yes	Yes	No	No	No	4.1/3.6	PDIP,SOIC,TSSOP	1.22	Low-Power BiCMOS Current-Mode PWM
UCC3807-1	8	No	Yes	Yes	No	No	No	7.2/6.9	PDIP,SOIC	1.76	Pgrmable Maximum Duty Cycle PWM Controller
UCC3807-2	8	No	Yes	Yes	No	No	No	12.5/8.3	PDIP,SOIC	1.76	Pgrmable Maximum Duty Cycle PWM Controller
UCC3807-3	8	No	Yes	Yes	No	No	No	4.3/4.1	PDIP,SOIC	1.76	Pgrmable Maximum Duty Cycle PWM Controller
UCC3813-0	8	No	Yes	Yes	No	No	No	7.2/6.9	PDIP,SOIC,TSSOP	0.74	Low Power Economy BiCMOS Current Mode PWM
UCC3813-1	8	No	Yes	Yes	No	No	No	9.4/7.4	PDIP,SOIC,TSSOP	0.74	Low Power Economy BiCMOS Current Mode PWM
UCC3813-2	8	No	Yes	Yes	No	No	No	12.5/8.3	PDIP,SOIC,TSSOP	0.74	Low Power Economy BiCMOS Current Mode PWM
UCC3813-3	8	No	Yes	Yes	No	No	No	4.1/3.6	PDIP,SOIC,TSSOP	0.74	Low Power Economy BiCMOS Current Mode PWM
UCC3813-4	8	No	Yes	Yes	No	No	No	12.5/8.3	PDIP,SOIC,TSSOP	0.74	Low Power Economy BiCMOS Current Mode PWM
UCC3813-5	8	No	Yes	Yes	No	No	No	4.1/3.6	PDIP,SOIC,TSSOP	0.74	Low Power Economy BiCMOS Current Mode PWM
UCC38C40	8	No	Yes	No	No	No	No	7/6.6	MSOP,PDIP,SOIC	0.99	BiCMOS Low-Power Current Mode PWM Controller
UCC38C41	8	No	Yes	No	No	No	No	7/6.6	MSOP,PDIP,SOIC	0.99	BiCMOS Low-Power Current Mode PWM Controller
UCC38C42	8	No	Yes	No	No	No	No	14.5/9	MSOP,PDIP,SOIC	0.99	BiCMOS Low-Power Current Mode PWM Controller
UCC38C43	8	No	Yes	No	No	No	No	8.4/7.6	MSOP,PDIP,SOIC	0.99	BiCMOS Low-Power Current Mode PWM Controller
UCC38C44	8	No	Yes	No	No	No	No	14.5/9	MSOP,PDIP,SOIC	0.99	BiCMOS Low-Power Current Mode PWM Controller
UCC38C45	8	No	Yes	No	No	No	No	8.4/7.6	MSOP,PDIP,SOIC	0.99	BiCMOS Low-Power Current Mode PWM Controller
UC1823	16	No	Yes	No	No	No	No	9.2/8.4	CDIP,LCCC	12.96	High Speed PWM Controller
UC2823	16	No	Yes	No	No	No	No	9.2/8.4	PDIP,PLCC,SOIC	4.16	High Speed PWM Controller
UC3823	16	No	Yes	No	No	No	No	9.2/8.4	CDIP,PDIP,PLCC,SOIC	2.13	High Speed PWM Controller
UC1823A	16	No	Yes	Yes	No	No	No	16/10	CDIP,LCCC	31.09	High Speed PWM Controller
UC2823A	16	No	Yes	Yes	No	No	No	16/10	CDIP,PDIP,PLCC,SOIC	5.16	High Speed PWM Controller
UC2823B	16	No	Yes	Yes	No	No	No	9.2/8.4	CDIP,PDIP,SOIC	5.16	High Speed PWM Controller
UC2848	16	No	Yes	No	No	No	No	13/10	PDIP,SOIC	4.72	Average Current Mode PWM Controller
UC3823A	16	No	Yes	Yes	No	No	No	16/10	PDIP,PLCC,SOIC	4.65	High Speed PWM Controller
UC3823B	16	No	Yes	Yes	No	No	No	9.2/8.4	PDIP,SOIC	5.58	High Speed PWM Controller
UC3848	16	No	Yes	No	No	No	No	13/10	PDIP,SOIC	3.78	Average Current Mode PWM Controller

\*Budgetary price per unit in U.S. dollars, lots of 1,000+

Preview devices announced but not yet in production appear in **BOLD**.

■ PWM Power Supply Products—Voltage Mode

(Table continued on next page)

Device Name	Shutdown	Pulse-by-Pulse I <sub>sense</sub>	Sorted By			Duty Cycle (max) (%)	Shutdown Current (μA)	Startup Current (μA)	Operating Supply Current (mA)	Operating Supply		Number of PWM Outputs	Error Amplifier GBW (MHz)	V <sub>supply</sub> Operating Range		Operating/Standby Current (mA)
			Output Current (mA)	Frequency (max) (kHz)	V <sub>ref</sub> Tol (%)					(min) (V)	(max) (V)			(min) (V)	(max) (V)	
<b>Dual Alternating, Totem Pole</b>																
UC1526	Yes	No	100	450	1	50	18000		8	35	2	2				
UC2526	Yes	No	100	450	1	50	18000		8	35	2	2				
UC3526	Yes	No	100	450	2	50	18000	14	8	35	2	2				
UC1525A	Yes	No	200	450	1	50	8000	14	8	35	2	2				
UC1525B	Yes	No	200	450	0.75	50	8000	14	8	35	2	2				
UC1526A	Yes	No	200	450	1	50	18000		8	35	2	2				
UC1527A	Yes	No	200	450	1	50	8000	14	8	35	2	2				
UC2525A	Yes	No	200	450	1	50	8000	14	8	35	2	2				
UC2525B	Yes	No	200	450	0.75	50	8000	14	8	35	2	2				
UC2526A	Yes	No	200	450	1	50	18000		8	35	2	2				
UC2527A	Yes	No	200	450	1	50	8000	14	8	35	2	2				
UC3525A	Yes	No	200	450	2	50	8000	14	8	35	2	2				
UC3525B	Yes	No	200	450	1.25	50	8000	14	8	35	2	2				
UC3526A	Yes	No	200	450	2	50	18000	14	8	35	2	2				
UC3527A	Yes	No	200	450	2	50	8000	14	8	35	2	2				
UC3527B	Yes	No	200	450	1.25	50	8000	14	8	35	2	2				
UC3825	Yes	Yes	1500	1000	1	50		1100	22	8.4	30	2	5.5			
UC3825A	Yes	Yes	2000	1000	1	50		100	28	8.4	22	2	12			
UC3825B	Yes	Yes	2000	1000	1	50		100	28	10	22	2	12			
<b>Dual Alternating, Uncommitted</b>																
SG2524	Yes	No	100	722	4	45	8000	8000	8	40	2	3		8	40	
SG3524	Yes	No	100	722	8	45	8000	8000	8	40	2	3		8	40	
UC2524	Yes	No	100	450	4	50	8000	8000	8	40	2	3				
UC3524	Yes	No	100	450	8	50	8000	8000	8	40	2	3				
UC1524A	Yes	No	200	450	1	50	8000	4000	8	40	2	3				
UC2524A	Yes	No	200	450	1	50	8000	4000	8	40	2	3				
UC3524A	Yes	No	200	450	2	50	8000	4000	8	40	2	3				
<b>Dual Complementary, Totem Pole</b>																
UC3824	Yes	Yes	1500	1000	1	100		1100	22	8.4	30	2	5.5			
<b>Dual Programmable, Totem Pole</b>																
TL598	No	No	200	300	1	45			15	7	40	2	0.8	7	40	15/15
<b>Dual Programmable, Uncommitted</b>																
TL494	No	No	200	300	5	45			7.5	7	40	2	0.8	7	40	7.5/6
TL594	No	No	200	300	1	45			12.4	7	40	2	0.8	7	40	12.4/9
<b>Single</b>																
UC2841	Yes	Yes	1000	450	1	95	4500	4500	10	8	32	1	2			
UC3841	Yes	Yes	1000	450	1	95	4500	4500	10	8	32	1	2			

\*Budgetary price per unit in U.S. dollars, lots of 1,000+

Preview devices announced but not yet in production appear in **BOLD**.

(Table continued from previous page)

Device Name	Cycle-by-Cycle Current Limiting	Light Load Efficiency Features	UVLO Thresholds On/Off (V)	Advanced Fault Response	Dead Time Control	Output Mode		Program-able Outputs	Under-Voltage Lockout	Package	Price*	Description
						Single-Ended	Fixed Push-Pull					
UC1526	Yes	No	7/6.8	Yes						CDIP,LCCC	9.80	Regulating Pulse Width Modulator
UC2526	Yes	No	7/6.8	Yes						PLCC	3.91	Regulating Pulse Width Modulator
UC3526	Yes	No	7/6.8	Yes						CDIP,PDIP,SOIC	1.68	Regulating Pulse Width Modulator
UC1525A	Yes	No	7/6.8	No						CDIP,LCCC	7.61	Regulating Pulse Width Modulators
UC1525B	Yes	No	7/6.8	No						CDIP,LCCC	15.10	Regulating Pulse Width Modulators
UC1526A	Yes	No	7/6.8	Yes						CDIP,LCCC	11.37	Regulating Pulse Width Modulators
UC1527A	Yes	No	7/6.8	No						CDIP,LCCC	8.88	Regulating Pulse Width Modulators
UC2525A	Yes	No	7/6.8	No						CDIP,PDIP,PLCC,SOIC	1.73	Regulating Pulse Width Modulators
UC2525B	Yes	No	7/6.8	No						SOIC	3.08	Regulating Pulse Width Modulators
UC2526A	Yes	No	7/6.8	Yes						CDIP,PDIP,PLCC,SOIC	2.92	Regulating Pulse Width Modulator
UC2527A	Yes	No	7/6.8	No						PDIP	1.50	Regulating Pulse Width Modulators
UC3525A	Yes	No	7/6.8	No						CDIP,PDIP,PLCC,SOIC	1.13	Regulating Pulse Width Modulators
UC3525B	Yes	No	7/6.8	No						PDIP,SOIC	2.12	Regulating Pulse Width Modulators
UC3526A	Yes	No	7/6.8	Yes						CDIP,PDIP,PLCC,SOIC	1.86	Regulating Pulse Width Modulators
UC3527A	Yes	No	7/6.8	No						CDIP,PDIP	1.55	Regulating Pulse Width Modulators
UC3527B	Yes	No	7/6.8	No						PDIP	2.38	Regulating Pulse Width Modulators
UC3825	Yes	No	9.2/8.4	No						CDIP,PDIP,PLCC,SOIC	2.18	High Speed PWM Controller
UC3825A	Yes	No	16/10	Yes						PDIP,PLCC,SOIC	4.86	High Speed PWM Controller
UC3825B	Yes	No	9.2/8.4	Yes						PDIP,PLCC,SOIC	4.86	High Speed PWM Controller
SG2524	Yes	No		No	No	Yes	Yes	No	No	PDIP,SOIC	0.63	Regulating Pulse-Width Modulator
SG3524	Yes	No		No	No	Yes	Yes	No	No	PDIP,SOIC,SOP	0.63	Regulating Pulse-Width Modulators
UC2524	Yes	No	7.5/7	No						CDIP,PDIP,SOIC	1.46	Advanced Regulating Pulse Width Modulators
UC3524	Yes	No	7.5/7	No						PDIP,SOIC	0.96	Advanced Regulating Pulse Width Modulators
UC1524A	Yes	No	7.5/7	No						CDIP,LCCC	6.86	Advanced Regulating Pulse Width Modulators
UC2524A	Yes	No	7.5/7	No						CDIP,PDIP,SOIC	1.65	Advanced Regulating Pulse Width Modulators
UC3524A	Yes	No	7.5/7	No						PDIP,SOIC	1.35	Advanced Regulating Pulse Width Modulators
UC3824	Yes	No	9.2/8.4	No						PDIP,SOIC	4.32	High Speed PWM Controller
TL598	No	No	6.1/6	No	Yes	Yes	No	Yes	Yes	PDIP,SOIC	0.98	Pulse-Width-Modulation (PWM) Control Circuit
TL494	No	No		No	Yes	Yes	No	Yes	No	PDIP,SOIC,SOP,TSSOP	0.38	Pulse-Width-Modulation (PWM) Control Circuit
TL594	No	No	6.1/6	No	Yes	Yes	No	Yes	Yes	PDIP,SOIC,SOP,TSSOP	0.52	Pulse-Width-Modulation (PWM) Control Circuit
UC2841	Yes	No	8/7.8	Yes						CDIP,PDIP,SOIC	5.19	Pgrmable, Off-Line, PWM Controller
UC3841	Yes	No	8/7.8	Yes						CDIP,PDIP,PLCC,SOIC	4.08	Pgrmable, Off-Line, PWM Controller

\*Budgetary price per unit in U.S. dollars, lots of 1,000+

Preview devices announced but not yet in production appear in **BOLD**.

■ PWM Power Supply Products—Voltage Mode (Continued)

(Table continued on next page)

Device Name	Shutdown	Pulse-by-Pulse I <sub>sense</sub>	Sorted By		V <sub>ref</sub> Tol (%)	Duty Cycle (max) (%)	Shutdown Current (μA)	Startup Current (μA)	Operating Supply Current (mA)	Operating Supply		Number of PWM Outputs	Error Amplifier GBW (MHz)	V <sub>supply</sub> Operating Range		Operating/Standby Current (mA)
			Output Current (mA)	Frequency (max) (kHz)						(min) (V)	(max) (V)			(min) (V)	(max) (V)	
<b>Single, Totem Pole</b>																
UCC25705	No	Yes	100	4000		93	60	50	2.5	8.2	15	1	0	8.2	15	4.2/5
UCC25706	No	Yes	100	4000		93	60	50	2.5	8	15	1	0	8	15	4.2/5
UCC35705	No	Yes	100	4000		93	60	50	2.5	8.2	15	1	0	8.2	15	4.2/5
UCC35706	No	Yes	100	4000		93	60	50	2.5	8	15	1	0	8	15	4.2/5
UCC2888	No	No	150/150	250	3	55	150	150	1.2	9	9	1	0			
UCC2889	No	No	150/150	250	3	55	150	150	1.2	9	9	1	0			
UCC3888	No	No	150/150	250	3	55	150	150	1.2	9	9	1	0			
UCC3889	No	No	150/150	250	3	55	150	150	1.2	9	9	1	0			
UC3851	Yes	Yes	400	450	1	50		4500	15		32	1	2			
UCC15701	Yes	Yes	1000	700	2	99	130	130	0.75	9	15	1	0			
UCC2570	Yes	No	1000	500	2	80	85	85	1	9	15	1	0			
UCC25701	Yes	Yes	1000	700	2	99	130	130	0.75	9	15	1	0			
UCC25702	Yes	Yes	1000	700	2	99	130	130	0.75	9	15	1	0	10	13	0.75/0.13
UCC2581	Yes	No	1000	100	1.5	83	100	85	0.3	7.3	15	1	0			
UCC3570	Yes	No	1000	450	2	80	85	85	1	9	15	1	0			
UCC35701	Yes	Yes	1000	700	2	99		130	0.75	9	15	1	0			
UCC35702	Yes	Yes	1000	700	2	99	130	130	0.75	9	15	1	0	10	13	0.75/0.13
UCC3581	Yes	No	1000	100	1.5	83	100	85	0.3	7.3	15	1	0			
UC3823	Yes	Yes	1500	1000	1	100		1100	22	8.4	30	1	5.5			
UC3823A	Yes	Yes	2000	1000	1	100		100	28	8.4	22	1	12			
UC3823B	Yes	Yes	2000	1000	1	100		100	28	10	22	1	12			

\*Budgetary price per unit in U.S. dollars, lots of 1,000+

Preview devices announced but not yet in production appear in **BOLD**.



(Table continued from previous page)

Device Name	Cycle-by-Cycle Current Limiting	Light Load Efficiency Features	UVLO Thresholds On/Off (V)	Advanced Fault Response	Dead Time Control	Output Mode		Program-mable Outputs	Under-Voltage Lockout	Package	Price*	Description
						Single-Ended	Fixed Push-Pull					
UCC25705	Yes	No	8.8/8.2	No	Yes	Yes	No	No	Yes	MSOP,PDIP,SOIC	1.14	High Speed Voltage Mode Pulse Width Modulator
UCC25706	Yes	No	12/8	No	Yes	Yes	No	No	Yes	MSOP,PDIP,SOIC	1.14	High Speed Voltage Mode Pulse Width Modulator
UCC35705	Yes	No	8.8/8.2	No	Yes	Yes	No	No	Yes	MSOP,PDIP,SOIC	1.00	High Speed Voltage Mode Pulse Width Modulator
UCC35706	Yes	No	12/8	No	Yes	Yes	No	No	Yes	MSOP,PDIP,SOIC	1.00	High Speed Voltage Mode Pulse Width Modulator
UCC2888	No	Yes	8.4/6.3	Yes						SOIC	1.64	Off-line Power Supply Controller
UCC2889	No	Yes	8.4/6.3	Yes						PDIP,SOIC	1.43	Off-line Power Supply Controller
UCC3888	No	Yes	8.4/6.3	Yes						PDIP,SOIC	1.52	Off-Line Power Supply Controller
UCC3889	No	Yes	8.4/6.3	Yes						PDIP,SOIC	0.93	Off-Line Power Supply Controller
UC3851	Yes	No	8/7.8	Yes						PDIP,SOIC	4.53	Pgrmable, Off-Line, PWM Controller
UCC15701	Yes	No	13/9	Yes						CDIP,LCCC	15.50	Advanced Voltage Mode Pulse Width Modulator
UCC2570	Yes	No	13/9	Yes						PDIP,SOIC	2.73	Low Power Pulse Width Modulator
UCC25701	Yes	No	13/9	Yes						PDIP,SOIC,TSSOP	2.95	Advanced Voltage Mode Pulse Width Modulator
UCC25702	Yes	No	9.9/9.1	Yes	No	Yes	No	No	Yes	PDIP,SOIC,TSSOP	2.95	Advanced Voltage Mode Pulse Width Modulator
UCC2581	Yes	Yes	7.3/6.8	Yes						SOIC	1.92	µPower Voltage Mode PWM
UCC3570	Yes	No	13/9	Yes						PDIP,SOIC	2.26	Low Power Pulse Width Modulator
UCC35701	Yes	No	13/9	Yes						PDIP,SOIC,TSSOP	1.93	Advanced Voltage Mode Pulse Width Modulator
UCC35702	Yes	No	9.9/9.1	Yes	No	Yes	No	No	Yes	PDIP,SOIC,TSSOP	1.93	Advanced Voltage Mode Pulse Width Modulator
UCC3581	Yes	Yes	7.3/6.8	Yes						PDIP,SOIC	1.61	µPower Voltage Mode PWM
UC3823	Yes	No	9.2/8.4	No						CDIP,PDIP,PLCC,SOIC	2.13	High Speed PWM Controller
UC3823A	Yes	No	16/10	Yes						PDIP,PLCC,SOIC	4.65	High Speed PWM Controller
UC3823B	Yes	No	9.2/8.4	Yes						PDIP,SOIC	5.58	High Speed PWM Controller

\*Budgetary price per unit in U.S. dollars, lots of 1,000+

Preview devices announced but not yet in production appear in **BOLD**.

■ PWM Power Supply Products—Power Factor Correction ICs

(Table continued on next page)

Device Name	Average Current Mode Control	Peak Output Drive Current (A)	Operating Supply Current (mA)	Shutdown Supply Current (µA)	Sorted By		Startup Current (mA)	Current Error Amplifier Bandwidth (MHz)	Practical Operating Frequency (max) (MHz)	Enable	OVP	WW AC Input Voltage Operation	UVLO Thresholds On/Off (V)	V <sub>ref</sub> (V)	V <sub>ref</sub> Tol (%)
					Operating Supply (min) (V)	Operating Supply (max) (V)									
UC2853	Yes	0.4	10	250	12	40	0.25	1	0.115	No	Yes	Yes	11.5/9.5		
UC3853	Yes	0.4	10	250	12	40	0.25	1	0.115	No	Yes	Yes	11.5/9.5		
UC2852	No	0.8	6	400	13	30	0.4	2.5	0.2	No	No	No	16.3/11.5		
UC3852	No	0.8	6	400	13	30	0.4	2.5	0.2	No	No	No	16.3/11.5		
UCC2817	Yes	1	4	150	10	18	0.15	2.5	0.25	Yes	Yes	Yes	16/10	7.5	1.5
UCC2818	Yes	1	4	150	10	18	0.15	2.5	0.25	Yes	Yes	Yes	10.5/10	7.5	1.5
UCC2819	Yes	1	4	150	10.8	17	0.15	2.5	0.25	Yes	Yes	Yes	10.2/9.7	7.5	1.5
UCC28500	Yes	1	4	150	10	18	0.15	2.5	0.2	Yes	Yes	Yes	16/10	7.5	1.5
UCC28501	Yes	1	4	150	10	18	0.15	2.5	0.2	Yes	Yes	Yes	10.5/10	7.5	1.5
UCC28502	Yes	1	4	150	10	18	0.15	2.5	0.2	Yes	Yes	Yes	16/10	7.5	1.5
UCC28503	Yes	1	4	150	10	18	0.15	2.5	0.2	Yes	Yes	Yes	10.5/10	7.5	1.5
UCC3817	Yes	1	4	150	10	18	0.15	2.5	0.25	Yes	Yes	Yes	16/10	7.5	1.5
UCC3818	Yes	1	4	150	10	18	0.15	2.5	0.25	Yes	Yes	Yes	10.5/10	7.5	1.5
UCC3819	Yes	1	4	150	10.2	17	0.15	2.5	0.25	Yes	Yes	Yes	10.2/9.7	7.5	1.5
UCC38500	Yes	1	4	150	10	18	0.15	2.5	0.2	Yes	Yes	Yes	16/10	7.5	1.5
UCC38501	Yes	1	4	150	10	18	0.15	2.5	0.2	Yes	Yes	Yes	10.5/10	7.5	1.5
UCC38502	Yes	1	4	150	10	18	0.15	2.5	0.2	Yes	Yes	Yes	16/10	7.5	1.5
UCC38503	Yes	1	4	150	10	18	0.15	2.5	0.2	Yes	Yes	Yes	10.5/10	7.5	1.5
UC1854	Yes	1.2	10	1500	12	30	1.5	0.8	0.2	Yes	No	Yes	16/10	7.5	1.3
UC1854B	Yes	1.2	12	250	10	20	0.25	5	0.2	Yes	No	Yes	10.5/10	7.5	1.3
UC2854	Yes	1.2	10	1500	12	30	1.5	0.8	0.2	Yes		Yes	16/10	7.5	1.3
UC2854A	Yes	1.2	12	250	10	20	0.25	5	0.2	Yes		Yes	16/10	7.5	1.3
UC2854B	Yes	1.2	12	250	10	20	0.25	5	0.2	Yes		Yes	10.5/10	7.5	1.3
UC2855A	Yes	1.2	17	150	10	20	0.15	5	0.5	Yes	Yes	Yes	16/10	7.5	1.5
UC2855B	Yes	1.2	17	150	10	20	0.15	5	0.5	Yes	Yes	Yes	10.5/10	7.5	1.5
UC3854	Yes	1.2	10	1500	12	30	1.5	0.8	0.2	Yes	No	Yes	16/10	7.5	1.3
UC3854A	Yes	1.2	12	250	10	20	0.25	5	0.2	Yes	No	Yes	16/10	7.5	1.3
UC3854B	Yes	1.2	12	250	10	20	0.25	5	0.2	Yes	No	Yes	10.5/10	7.5	1.3
UC3855A	Yes	1.2	17	150	10	20	0.15	5	0.5	Yes	Yes	Yes	16/10	7.5	1.5
UC3855B	Yes	1.2	17	150	10	20	0.15	5	0.5	Yes	Yes	Yes	10.5/10	7.5	1.5

\*Budgetary price per unit in U.S. dollars, lots of 1,000+

Preview devices announced but not yet in production appear in **BOLD**.

(Table continued from previous page)

Device Name	Error Amplifier GBW (MHz)	Duty Cycle (max) (%)	Number of PWM Outputs	Light Load Efficiency Features	Cycle-by-Cycle Current Limiting	Shutdown	Advanced Fault Response	Package	Price*	Description
UC2853	1	95	1		Yes			PDIP,SOIC	1.76	High Power Factor Preregulator
UC3853	1	95	1		Yes			PDIP,SOIC	1.47	High Power-Factor Preregulator
UC2852	1	95	1		Yes			PDIP,SOIC	2.02	High Power-Factor Preregulator
UC3852	1	95	1		Yes			PDIP,SOIC	1.61	High Power-Factor Preregulator
UCC2817	2.5	100	1	Yes	Yes	Yes	Yes	PDIP,SOIC	2.50	BiCMOS Power Factor Preregulator
UCC2818	2.5	100	1	Yes	Yes	Yes	Yes	PDIP,SOIC	2.50	BiCMOS Power Factor Preregulator
UCC2819	2.5	100	1	Yes	Yes	Yes	Yes	PDIP,SOIC	2.50	BiCMOS Power Factor Preregulator
UCC28500	2.5	100	1	Yes	Yes	Yes	Yes	PDIP,SOIC	2.68	BiCMOS PFC/PWM Combination Controller
UCC28501	2.5	100	1	Yes	Yes	Yes	Yes	PDIP,SOIC	2.68	BiCMOS PFC/PWM Combination Controller
UCC28502	2.5	100	1	Yes	Yes	Yes	Yes	PDIP,SOIC	2.63	BiCMOS PFC/PWM Combination Controller
UCC28503	2.5	100	1	Yes	Yes	Yes	Yes	PDIP,SOIC	2.68	BiCMOS PFC/PWM Combination Controller
UCC3817	2.5	100	1	Yes	Yes	Yes	Yes	PDIP,SOIC	2.07	BiCMOS Power Factor Preregulator
UCC3818	2.5	100	1	Yes	Yes	Yes	Yes	PDIP,SOIC	2.07	BiCMOS Power Factor Preregulator
UCC3819	2.5	100	1	Yes	Yes	Yes	Yes	PDIP,SOIC	2.07	BiCMOS Power Factor Preregulator
UCC38500	2.5	100	1	Yes	Yes	Yes	Yes	PDIP,SOIC	2.24	BiCMOS PFC/PWM Combination Controller
UCC38501	2.5	100	1	Yes	Yes	Yes	Yes	PDIP,SOIC	2.24	BiCMOS PFC/PWM Combination Controller
UCC38502	2.5	100	1	Yes	Yes	Yes	Yes	PDIP,SOIC	2.24	BiCMOS PFC/PWM Combination Controller
UCC38503	2.5	100	1	Yes	Yes	Yes	Yes	PDIP,SOIC	2.24	BiCMOS PFC/PWM Combination Controller
UC1854	1	95	1		Yes	Yes	Yes	CDIP	11.51	High Power Factor Preregulator
UC1854B	1	95	1		Yes	Yes	Yes	CDIP	12.91	Enhanced High Power Factor Preregulator
UC2854	1	95	1		Yes	Yes	Yes	CDIP,PDIP,SOIC	1.86	High Power Factor Preregulator
UC2854A	1	95	1		Yes	Yes	Yes	PDIP,PLCC,SOIC	3.62	Enhanced High Power Factor Preregulator
UC2854B	1	95	1		Yes	Yes	Yes	CDIP,PDIP,PLCC,SOIC	3.62	Enhanced High Power Factor Preregulator
UC2855A	1	95	1		Yes		Yes	PDIP,SOIC	6.19	High Performance Power Factor Preregulator
UC2855B	1	95	1		Yes		Yes	PDIP,SOIC	6.19	High Performance Power Factor Preregulator
UC3854	1	95	1		Yes	Yes	Yes	PDIP,PLCC,SOIC	1.52	High Power Factor Preregulator
UC3854A	1	95	1		Yes	Yes	Yes	PDIP,SOIC	2.53	Enhanced High Power Factor Preregulator
UC3854B	1	95	1		Yes	Yes	Yes	PDIP,SOIC	2.53	Enhanced High Power Factor Preregulator
UC3855A	1	95	1		Yes		Yes	PDIP,SOIC	5.25	High Performance Power Factor Preregulator
UC3855B	1	95	1		Yes		Yes	PDIP,SOIC	5.25	High Performance Power Factor Preregulator

\*Budgetary price per unit in U.S. dollars, lots of 1,000+

Preview devices announced but not yet in production appear in **BOLD**.

Product Overview  
Amplifiers & Comparators  
Audio Products  
Clocks & Timers  
Control & Monitoring  
Data Converters  
Interface Products  
Micro-controllers  
Power Management  
RF Products  
Wireless & Telecom  
Video & Imaging  
Product Index

■ PWM Power Supply Products—Soft Switching

(Table continued on next page)

Device Name	V <sub>ref</sub> Tol (%)	Frequency (max) (kHz)	Startup Current (μA)	Duty Cycle (max) (%)	Reference Voltage (V)	Sorted By		Error Amplifier GBW (MHz)	Number of PWM Outputs	Operating Supply Current (mA)	Output Current (mA)	Shutdown	Shutdown Supply Current (μA)	Pulse-by-Pulse I <sub>sense</sub>	Pin Count
						Operating (min) (V)	Supply (max) (V)								
<b>Dual Alternating, Totem Pole</b>															
UC1863	1	450	150	50	5	7	22	0.8	2	25	1000	No	150	Yes	16
UC2863	1	450	150	50	5	7	22	0.8	2	25	1000	No	150	Yes	16
UC3863	1	450	150	50	5	7	22	0.8	2	25	1000	No	150	Yes	16
UC3867	1	450	150	50	5	7	22	0.8	2	25	1000	No	150	Yes	16
UC2861	1	450	150	50	5	10.5	22	0.8	2	25	1000	No	150	Yes	16
UC2865	1	450	150	50	5	10.5	22	0.8	2	25	1000	No	150	Yes	16
UC3861	1	450	150	50	5	10.5	22	0.8	2	25	1000	No	150	Yes	16
UC3865	1	450	150	50	5	10.5	22	0.8	2	25	1000	No	150	Yes	16
<b>Dual Complementary, Totem Pole</b>															
UCC2580-1	1.5	1000	100	66	5	8.5	16	6	2	1.5	100	Yes	1500	No	16
UCC2580-2	1.5	1000	100	66	5	8.5	16	6	2	1.5	100	Yes	1500	No	16
UCC2580-3	1.5	1000	100	66	5	8.5	16	6	2	1.5	100	Yes	1500	No	16
UCC2580-4	1.5	1000	100	66	5	8.5	16	6	2	1.5	100	Yes	1500	No	16
UCC3580-1	1.5	1000	100	66	5	8.5	16	6	2	1.5	100	Yes	1500	No	16
UCC3580-2	1.5	1000	100	66	5	8.5	16	6	2	1.5	100	Yes	1500	No	16
UCC3580-3	1.5	1000	100	66	5	8.5	16	6	2	1.5	100	Yes	1500	No	16
UCC3580-4	1.5	1000	100	66	5	8.5	16	6	2	1.5	100	Yes	1500	No	16
<b>Quad Phase Shifted, Totem Pole</b>															
UCC1895	1.2	1000	150	100	5	9	17	7	4	5	100	Yes	150	Yes	20
UCC2895	1.2	1000	150	100	5	9	17	7	4	5	100	Yes	150	Yes	20
UCC3895	1.2	1000	150	100	5	9	17	7	4	5	100	Yes	150	Yes	20
UC2875	1	1000	150	100	5	9.25	20	11	4	45	2000	No	150	Yes	20
UC2876	1	1000	150	100	5	9.25	20	11	4	45	2000	No	150	Yes	20
UC2878	1	1000	150	100	5	9.25	20	11	4	45	2000	No	150	Yes	20
UC3875	1	1000	150	100	5	9.25	20	11	4	45	2000	No	150	Yes	20
UC3876	1	1000	150	100	5	9.25	20	11	4	45	2000	No	150	Yes	20
UC3877	1	1000	150	100	5	9.25	20	11	4	45	2000	No	150	Yes	20
UC3878	1	1000	150	100	5	9.25	20	11	4	45	2000	No	150	Yes	20
UC2879	1	500	150	100	5	10.75	20	10	4	27	100	No	150	Yes	20
UC3879	1	500	150	100	5	10.75	20	10	4	27	100	No	150	Yes	20
UC1875	1	1000	150	100	5	9.25	20	11	4	45	2000	No	150	Yes	20
<b>Single, Totem Pole</b>															
UC2864	1	450	150	1	5	7	22	0.8	1	25	1000	No	150	Yes	16
UC2868	1	450	150	1	5	7	22	0.8	1	25	1000	No	150	Yes	16
UC3864	1	450	150	1	5	7	22	0.8	1	25	1000	No	150	Yes	16
UC3868	1	450	150	1	5	7	22	0.8	1	25	1000	No	150	Yes	16
UC2866	1	450	150	1	5	10.5	22	0.8	1	25	1000	No	150	Yes	16
UC3862	1	450	150	100	5	10.5	22	0.8	1	25	1000	No	150	Yes	16
UC3866	1	450	150	1	5	10.5	22	0.8	1	25	1000	No	150	Yes	16

\*Budgetary price per unit in U.S. dollars, lots of 1,000+

Preview devices announced but not yet in production appear in **BOLD**.

(Table continued from previous page)

Device Name	Light Load Efficiency Features	Cycle-by-Cycle Current Limiting	Advanced Fault Response	Secondary Side Control Features	Secondary Side Post Regulator	Synchronous Rectification Features	UVLO Thresholds On/Off (V)	Package	Price*	Description
UC1863	Yes	No	Yes	No	No	No	8/7	CDIP,LCCC	33.23	Resonant-Mode Power Supply Controllers
UC2863	Yes	No	Yes	No	No	No	8/7	PDIP,SOIC	4.97	Resonant-Mode Power Supply Controllers
UC3863	Yes	No	Yes	No	No	No	8/7	PDIP,SOIC	2.90	Resonant-Mode Power Supply Controllers
UC3867	Yes	No	Yes	No	No	No	8/7	PDIP,SOIC	2.90	Resonant-Mode Power Supply Controllers
UC2861	Yes	No	Yes	No	No	No	16.5/10.5	PDIP,PLCC,SOIC	4.97	Resonant-Mode Power Supply Controllers
UC2865	Yes	No	Yes	No	No	No	16.5/10.5	PDIP	4.91	Resonant-Mode Power Supply Controllers
UC3861	Yes	No	Yes	No	No	No	16.5/10.5	PDIP,SOIC	2.90	Resonant-Mode Power Supply Controllers
UC3865	Yes	No	Yes	No	No	No	16.5/10.5	PDIP,PLCC,SOIC	2.90	Resonant-Mode Power Supply Controllers
UCC2580-1	No	No	No	No	No	Yes	9/8.5	PDIP,SOIC	3.95	Single Ended Active Clamp/Reset PWM
UCC2580-2	No	No	No	No	No	Yes	15/8.5	PDIP,SOIC	3.95	Single Ended Active Clamp/Reset PWM
UCC2580-3	No	No	No	No	No	Yes	9/8.5	PDIP,SOIC	3.95	Single Ended Active Clamp/Reset PWM
UCC2580-4	No	No	No	No	No	Yes	15/8.5	PDIP,PLCC,SOIC	3.95	Single Ended Active Clamp/Reset PWM
UCC3580-1	No	No	No	No	No	Yes	9/8.5	PDIP,SOIC	3.41	Single-Ended Active Clamp/Reset PWM
UCC3580-2	No	No	No	No	No	Yes	15/8.5	PDIP,SOIC	3.41	Single-Ended Active Clamp/Reset PWM
UCC3580-3	No	No	No	No	No	Yes	9/8.5	PDIP,PLCC,SOIC	3.41	Single-Ended Active Clamp/Reset PWM
UCC3580-4	No	No	No	No	No	Yes	15/8.5	PDIP,PLCC,SOIC	3.41	Single-Ended Active Clamp/Reset PWM
UCC1895	Yes	Yes	Yes	No	No	No	11/9	CDIP	18.00	BiCMOS Advanced Phase Shift Resonant Controller
UCC2895	Yes	Yes	Yes	No	No	No	11/9	PDIP,PLCC,SOIC,TSSOP	4.91	BiCMOS Advanced Phase Shift Resonant Controller
UCC3895	Yes	Yes	Yes	No	No	No	11/9	PDIP,PLCC,SOIC,TSSOP	4.10	BiCMOS Advanced Phase Shift PWM Controller
UC2875	No	Yes	Yes	No	No	No	10/7/9.2	CDIP,PDIP,PLCC,SOIC	8.95	Phase Shift Resonant Controller
UC2876	No	Yes	Yes	No	No	No	15.2/9.2	PDIP	8.95	Phase Shift Resonant Controller
UC2878	No	Yes	Yes	No	No	No	15.2/9.2	PDIP	8.95	Phase Shift Resonant Controller
UC3875	No	Yes	Yes	No	No	No	10.7/9.5	PDIP,PLCC,SOIC	7.02	Phase Shift Resonant Controller
UC3876	No	Yes	Yes	No	No	No	15.2/9.2	PDIP	7.48	Phase Shift Resonant Controller
UC3877	No	Yes	Yes	No	No	No	10.7/9.5	PDIP,SOIC	7.48	Phase Shift Resonant Controller
UC3878	No	Yes	Yes	No	No	No	15.2/9.2	PDIP,SOIC	7.48	Phase Shift Resonant Controller
UC2879	No	Yes	Yes	No	No	No	10.8/9	PDIP,SOIC	7.03	Phase Shift Resonant Controller
UC3879	No	Yes	Yes	No	No	No	10.75/9	PDIP,SOIC	5.53	Phase Shift Resonant Controller
UC1875	No	Yes	Yes	No	No	No	10/7/9.2	CDIP,LCCC	53.13	Phase Shift Resonant Controller
UC2864	Yes	No	Yes	No	No	No	8/7	PDIP,PLCC,SOIC	4.91	Resonant-Mode Power Supply Controllers
UC2868	Yes	No	Yes	No	No	No	8/7	PDIP	4.91	Resonant-Mode Power Supply Controllers
UC3864	Yes	No	Yes	No	No	No	8/7	PDIP,SOIC	2.90	Resonant-Mode Power Supply Controllers
UC3868	Yes	No	Yes	No	No	No	8/7	PDIP	2.43	Resonant-Mode Power Supply Controllers
UC2866	Yes	No	Yes	No	No	No	16.5/10.5	PDIP	4.91	Resonant-Mode Power Supply Controllers
UC3862	Yes	No	Yes	No	No	No	16.5/10.5	PDIP,SOIC	2.90	Resonant-Mode Power Supply Controllers
UC3866	Yes	No	Yes	No	No	No	16.5/10.5	PDIP	2.43	Resonant-Mode Power Supply Controllers

\*Budgetary price per unit in U.S. dollars, lots of 1,000+

Preview devices announced but not yet in production appear in **BOLD**.

Product Overview  
Amplifiers & Comparators  
Audio Products  
Clocks & Timers  
Control & Monitoring  
Data Converters  
Interface Products  
Micro-controllers  
Power Management  
RF Products  
Wireless & Telecom  
Video & Imaging  
Product Index

■ PWM Power Supply Products—Secondary Side

(Table continued on next page)

Device Name	V <sub>ref</sub> Tol (%)	Frequency (max) (kHz)	Reference Voltage (V)	Duty Cycle (max) (%)	Output Current (mA)	Shutdown	Pulse-by-Pulse I <sub>sense</sub>	Startup Current (μA)	Operating Supply Current (mA)	Operating Supply		Number of PWM Outputs	Error Amplifiers GBW (MHz)	Pin Count
										(min) (V)	(max) (V)			
<b>Opto-coupler Drive</b>														
UCC2839	1	1000		100	10	Yes	Yes		1.3	7.5	15	1	5	14
UCC3839	1	1000		100	10	Yes	Yes		1.3	7.5	15	1	5	14
<b>Single, Totem Pole</b>														
UC2849	1	1000	5	85	250	Yes	Yes		21	8	20	1	7	24
UC3584	1	1000		94	500		No		25	8.8	20	1	5	16
UC3826	1	1000	5	76	250	Yes	Yes		21	8	20	1	7	24
UC3849	1	1000	5	85	250	Yes	Yes		21	8	20	1	7	24
UCC2960	5	400	5	72	100	No	Yes	150	2.3	8	19	1	0	8
UCC2961	5	400	5	72	100	No	Yes	150	2.3	8	19	1	0	14
UCC3583	1.5	500	5	95			Yes	100	3	8.6	15	1	4	14
UCC3960	5	400	5	72	100	No	Yes	150	2.3	8	19	1	0	8
UCC3961	5	400	5	72	100	No	Yes	150	2.3	8	19	1	0	14

■ PWM Power Supply Products—Post Regulation

(Table continued on next page)

Device Name	V <sub>ref</sub> Tol (%)	Frequency (max) (kHz)	Duty Cycle (max) (%)	Reference Voltage (V)	Output Current (mA)	Pulse-by-Pulse I <sub>sense</sub>	Startup Current (μA)	Shutdown Current (μA)	Number of PWM Outputs	Operating Supply Current (mA)	Light Load Efficiency Features	Advanced Fault Response	Secondary Side Post Regulator	Synchronous Rectification Features
UC3584	1	1000	94		500	No			1	25	No	Yes	Yes	No
UCC2583	1.5	500	95	5		Yes	100	100	1	3	No	Yes	Yes	No
UCC3583	1.5	500	95	5		Yes	100	100	1	3	No	Yes	Yes	No

\*Budgetary price per unit in U.S. dollars, lots of 1,000+

Preview devices announced but not yet in production appear in **BOLD**.

(Table continued from previous page)

Device Name	Light Load Efficiency Features	Cycle-by-Cycle Current Limiting	Advanced Fault Response	Secondary Side Control Features	Secondary Side Post Regulator	Synchronous Rectification Features	Package	Price*	Description
UCC2839	No	Yes	Yes	Yes	Yes	No	PDIP,SOIC	1.91	Secondary Side Average Current Mode Controller
UCC3839	No	Yes	Yes	Yes	Yes	No	PDIP,SOIC	1.67	Secondary Side Average Current Mode Controller
UC2849	No	Yes	Yes	Yes	Yes	No	PDIP,PLCC,SOIC	4.65	Secondary Side Average Current Mode Controller
UC3584	No	Yes	Yes	Yes	Yes	No	PDIP,SOIC	3.13	Secondary Side Synchronous Post Regulator
UC3826	No	Yes	Yes	Yes	Yes	No	PDIP,SOIC	4.72	Secondary Side Average Current Mode Controller
UC3849	No	Yes	Yes	Yes	Yes	No	PDIP,PLCC,SOIC	3.62	Secondary Side Average Current Mode Controller
UCC2960	No	Yes	No	No	No	No	PDIP,SOIC	1.31	Primary Side Startup Controller
UCC2961	No	Yes	Yes	No	No	No	PDIP,SOIC	1.40	Advanced Primary Side Startup Controller
UCC3583	No	Yes	Yes	Yes	Yes	No	PDIP,PLCC,SOIC	2.37	Switch Mode Secondary Side Post Regulator
UCC3960	No	Yes	No	No	No	No	PDIP,SOIC	1.19	Primary Side Startup Controller
UCC3961	No	Yes	Yes	No	No	No	PDIP,SOIC	1.30	Advanced Primary Side Startup Controller

(Table continued from previous page)

Device Name	Secondary Side Control Features	Cycle-by-Cycle Current Limiting	Error Amplifier GBW (MHz)	Operating Supply		Pin Count	UVLO Thresholds On/Off (V)	Package	Price*	Description
				(min) (V)	(max) (V)					
UC3584	Yes	Yes	5	8.8	20	16	10.5/8.8	PDIP,SOIC	3.13	Secondary Side Synchronous Post Regulator
UCC2583	Yes	Yes	4	8.6	15	14	9/8.4	PDIP,PLCC,SOIC	1.92	Switch Mode Secondary Side Post Regulator
UCC3583	Yes	Yes	4	8.6	15	14	9/8.4	PDIP,PLCC,SOIC	2.37	Switch Mode Secondary Side Post Regulator

\*Budgetary price per unit in U.S. dollars, lots of 1,000+

Preview devices announced but not yet in production appear in **BOLD**.**Web Location for Power Management Products:****power.ti.com**

For military qualified products, refer to:

**www.ti.com/sc/docs/products/military/mix\_sig/index.htm**

■ Power Supply Support—MOSFET and Power Drivers

Device Name	V <sub>CC</sub>		Number of Outputs	Driver Configuration	Internal Regulator	Sorted By				Input Threshold	Dead Time Control	Package	Price*	Description
	(min) (V)	(max) (V)				Peak Output Current (A)	Rise Time (ns)	Fall Time (ns)	Prop Delay (ns)					
UC2702	4.5	8	4	Non-Inverting	No	0.05			250	No	SOIC	1.70	Quad PWM Relay Driver	
UC3702	4.5	42.5	4	Non-Inverting	No	0.05			250	No	PDIP,SOIC	1.54	Quad PWM Relay Driver	
UC27131	8	65	1	Low Side	Yes	0.7	1000	1000	3000	TTL/CMOS	No	PDIP,SOIC	4.31	Low Side Smart Power Switch
UC27132	8	65	1	High or Low Side	Yes	0.7	1000	1000	3000	TTL/CMOS	No	PDIP,SOIC	4.80	High or Low Side Smart Power Switch
UC27133	8	65	1	High Side	Yes	0.7	1000	1000	3000	TTL/CMOS	No	PDIP,SOIC	4.31	High Side Smart Power Switch
UC37131	8	65	1	Low Side	Yes	0.7	1000	1000	3000	TTL/CMOS	No	PDIP,SOIC	2.02	Low Side Smart Power Switch
UC37132	8	65	1	High or Low Side	Yes	0.7	1000	1000	3000	TTL/CMOS	No	PDIP,SOIC	2.26	High or Low Side Smart Power Switch
UC37133	8	65	1	High Side	Yes	0.7	1000	1000	3000	TTL/CMOS	No	PDIP,SOIC	2.02	High Side Smart Power Switch
UC2714	7	20	2	Inverting and Non-Inverting	Yes	1	30	25	50	TTL	Yes	PDIP,SOIC	2.51	Complementary Switch FET Drivers
UC3714	7	20	2	Inverting and Non-Inverting	Yes	1	30	25	50	TTL	Yes	PDIP,SOIC	1.51	Complementary Switch FET Drivers
UC1705	5	40	1	Single	Yes	1.5	40	40	100	TTL	No	CDIP,LCCC	14.90	Complementary High Speed Power Driver with Int Reg
UC1706	5	40	2	Dual Uncommitted	Yes	1.5	40	40	100	TTL	No	CDIP,LCCC	17.39	High Speed MOSFET Drivers with Current Limit
UC1707	5	40	2	Dual Uncommitted	Yes	1.5	40	40	100	TTL	No	CDIP,LCCC	18.23	Complementary High Speed Power Drivers
UC1709	5	40	2	Non-Inverting	Yes	1.5	40	40	25	TTL	No	CDIP,LCCC	8.45	Non-inverting High-Speed MOSFET Drivers
UC2705	5	40	1	Single	Yes	1.5	40	40	100	TTL	No	CDIP,PDIP,SOIC	2.97	Complementary High Speed Power Driver
UC2706	5	40	2	Dual Uncommitted	Yes	1.5	40	40	100	TTL	No	CDIP,PDIP,PLCC,SOIC	2.97	High Speed MOSFET Drivers with Current Limit
UC2707	5	40	2	Dual Uncommitted	Yes	1.5	40	40	100	TTL	No	CDIP,PDIP,PLCC,SOIC	2.99	Complementary High Speed Power Drivers
UC2709	5	40	2	Inverting	Yes	1.5	40	40	25	TTL	No	PDIP,SOIC	4.03	Non-inverting High-Speed MOSFET Drivers
UC3705	5	40	1	Single	Yes	1.5	40	40	100	TTL	No	CDIP,PDIP,SOIC,TO/SOT	2.17	Complementary High Speed Power Driver
UC3706	5	40	2	Dual Uncommitted	Yes	1.5	40	40	100	TTL	No	CDIP,PDIP,PLCC,SOIC	2.18	Dual High Speed MOSFET Drivers
UC3707	5	40	2	Dual Uncommitted	Yes	1.5	40	40	100	TTL	No	CDIP,PDIP,PLCC,SOIC	2.40	Complementary High Speed Power Drivers
UC3709	5	40	2	Inverting	Yes	1.5	40	40	25	TTL	No	CDIP,PDIP,SOIC	2.76	Non-inverting High-Speed MOSFET Drivers
TPS2811	4	40	2	Inverting	Yes	2	14	15	25	CMOS	Yes	PDIP,SOIC,TSSOP	0.83	Inverting Dual High-Speed MOSFET Drivers with Int Reg
TPS2812	4	40	2	Non-Inverting	Yes	2	14	15	25	CMOS	Yes	PDIP,SOIC,TSSOP	0.83	Non-inverting Dual High-Speed MOSFET Drivers with Internal Regulator
TPS2813	4	40	2	Complementary	Yes	2	14	15	25	CMOS	Yes	PDIP,SOIC,TSSOP	0.83	Complementary Dual High-Speed MOSFET Drivers with Internal Regulator
TPS2814	4	14	2	2 Input AND, 1 Inverting	No	2	14	15	25	CMOS	Yes	PDIP,SOIC,TSSOP	0.83	One Inverting, One Non-inverting AND Dual High-Speed MOSFET Drivers
TPS2815	4	14	2	2 Input NAND	No	2	14	15	25	CMOS	Yes	PDIP,SOIC,TSSOP	0.83	Two input NAND, Dual High-Speed MOSFET Drivers
TPS2816	4	40	1	Inverting Active Pullup	Yes	2	14	14	24	CMOS	Yes	SOT23	0.58	Inverting High Speed MOSFET Driver with Active Pullup and Internal Regulator
TPS2817	4	40	1	Non-Inverting Active Pullup	Yes	2	14	14	24	CMOS	Yes	SOT23	0.58	Non-inverting High Speed MOSFET Driver with Active Pullup and Internal Regulator
TPS2818	4	40	1	Inverting	Yes	2	14	14	24	CMOS	Yes	SOT23	0.58	Inverting High Speed MOSFET Driver with Int Reg
TPS2819	4	40	1	Non-Inverting	Yes	2	14	14	24	CMOS	Yes	SOT23	0.58	Non-inverting High-Speed MOSFET Driver with Int Reg
TPS2828	4	14	1	Inverting	No	2	14	14	24	CMOS	Yes	SOT23	0.55	Inverting High-Speed MOSFET Driver

\*Budgetary price per unit in U.S. dollars, lots of 1,000+

Preview devices announced but not yet in production appear in **BOLD**.



## ■ Power Supply Support—MOSFET and Power Drivers (Continued)

Device Name	V <sub>CC</sub>		No. of Outputs	Driver Configuration	Internal Regulator	Sorted By				Input Threshold	Dead Time Control	Package	Price*	Description
	(min) (V)	(max) (V)				Peak Output Current (A)	Rise Time (ns)	Fall Time (ns)	Prop Delay (ns)					
TPS2829	4	14	1	Non-Inverting	No	2	14	14	24	CMOS	Yes	SOT23	0.55	Non-inverting High-Speed MOSFET Driver
UC2715	7	20	2	Complementary	Yes	2	30	25	50	TTL	Yes	PDIP,SOIC	2.51	Complementary Switch FET Drivers with Aux Output
UC3715	7	20	2	Complementary	Yes	2	30	25	50	TTL	Yes	PDIP,SOIC	1.51	Complementary Switch FET Drivers with Aux Output
TPS2830	4.5	15	2	Non-Inverting	No	2.4	50	50	75	CMOS	Yes	HTSSOP,SOIC	1.23	Non-inverting Fast Sync Buck MOSFET Drvrs w/ Enable
TPS2831	4.5	15	2	Inverting	No	2.4	50	50	75	CMOS	Yes	HTSSOP,SOIC	1.23	Inverting Fast Sync Buck MOSFET Drivers with Enable
TPS2832	4.5	15	2	Non-Inverting	No	2.4	50	50	75	CMOS	Yes	SOIC	1.18	Non-inverting Fast Sync Buck MOSFET Drivers
TPS2833	4.5	15	2	Inverting	No	2.4	50	50	75	CMOS	Yes	SOIC	1.18	Inverting Fast Sync Buck MOSFET Drivers and Enable
TPS2834	4.5	15	2	Non-Inverting	No	2.4	50	40	70	TTL	Yes	HTSSOP,SOIC	1.23	Non-inverting Fast Synchronous Buck MOSFET Drivers with TTL Inputs and Enable
TPS2835	4.5	15	2	Inverting	No	2.4	50	40	70	TTL	Yes	HTSSOP,SOIC	1.23	Inverting Fast Synchronous Buck MOSFET Drivers with TTL Inputs and Enable
TPS2836	4.5	15	2	Non-Inverting	No	2.4	50	40	70	TTL	Yes	SOIC	1.18	Non-inverting Fast Synchronous Buck MOSFETs Driver with TTL Inputs
TPS2837	4.5	15	2	Inverting	No	2.4	50	40	70	TTL	Yes	SOIC	1.18	Inverting Fast Sync Buck MOSFET Drvrs with TTL Inputs
UC1708	5	35	2	Non-Inverting	Yes	3	25	25	25	TTL/CMOS	No	CDIP,LCCC	14.39	Non-Inverting High Speed Power Drivers
UC2708	5	35	2	Non-Inverting	Yes	3	25	25	25	TTL/CMOS	No	PDIP,SOIC	4.03	Non-Inverting High Speed Power Drivers
UC3708	5	35	2	Non-Inverting	Yes	3	25	25	25	TTL/CMOS	No	CDIP,PDIP,SOIC	2.94	Non-Inverting High Speed Power Drivers
TPS2838	10	15	2	Non-Inverting	Yes	4	10	10	20	TTL	Yes	HTSSOP	1.37	Non-Inverting Fast Synchronous-Buck MOSFET Driver with Internal Adjustable Regulator
TPS2839	10	15	2	Inverting	Yes	4	10	10	20	TTL	Yes	HTSSOP	1.37	Inverting Fast Synchronous-Buck MOSFET Driver with Internal Adjustable Regulator
TPS2848	10	15	2	Non-Inverting	Yes	4	10	10	20	TTL	Yes	HTSSOP	1.31	Fast, Sync-Buck MOSFET Drivers with 8V Drive Reg
TPS2849	10	15	2	Inverting	Yes	4	10	10	20	TTL	Yes	HTSSOP	1.31	Fast, Sync-Buck MOSFET Drivers with 8V Drive Reg
UC2950	8	35	2	Sink/Source TTL	Yes	4				TTL/CMOS	No	TO/SOT	2.67	Half-Bridge Bipolar Switch
UCC27323	4	15	2	Inverting	No	4	23	23	35	CMOS	No	MSOP,PDIP,SOIC	1.08	Dual 4 A Pk High Speed Low-Side Pwr MOSFET Drvrs
UCC27324	4	15	2	Non-Inverting	No	4	23	23	35	CMOS	No	MSOP,PDIP,SOIC	1.08	Dual 4 A Pk High Speed Low-Side Pwr MOSFET Drvrs
UCC27325	4	15	2	Inverting and Non-Inverting	No	4	23	23	35	CMOS	No	MSOP,PDIP,SOIC	1.08	Dual 4 A Pk High Speed Low-Side Pwr MOSFET Drvrs
UCC37323	4	15	2	Inverting	No	4	23	23	35	CMOS	No	MSOP,PDIP,SOIC	0.99	Dual 4 A Pk High Speed Low-Side Pwr MOSFET Drvrs
UCC37324	4	15	2	Non-Inverting	No	4	23	23	35	CMOS	No	MSOP,PDIP,SOIC	0.99	Dual 4 A Pk High Speed Low-Side Pwr MOSFET Drvrs
UCC37325	4	15	2	Inverting and Non-Inverting	No	4	23	23	35	CMOS	No	MSOP,PDIP,SOIC	0.99	Dual 4 A Pk High Speed Low-Side Pwr MOSFET Drvrs
UC1710	4.7	18	1	Inverting and Non-Inverting	No	6		8	30	CMOS	No	CDIP	19.63	Complementary High Current MOSFET Driver
UC2710	4.7	18	1	Inverting and Non-Inverting	No	6		8	30	CMOS	No	CDIP,PDIP,TO/SOT	4.24	Complementary High Current MOSFET Driver
UC3710	4.7	18	1	Inverting and Non-Inverting	No	6		8	30	CMOS	No	CDIP,PDIP,SOIC,TO/SOT	3.04	Complementary High Current MOSFET Driver

\*Budgetary price per unit in U.S. dollars, lots of 1,000+

Preview devices announced but not yet in production appear in **BOLD**.

### Power Supply Support—Loadshare

Device Name	On Board Reference	Share Bus	UVLO	Share Loop Compensation	Operating Supply Current (mA)	Startup Current (μA)	Operating Supply		Pin Count	Package	Price*	Description
							(min) (V)	(max) (V)				
UC2902	No	Differential	Yes	User Pgrmable	6		2.7	20	8	PDIP,SOIC	2.10	Load Share Controller
UC2907	Yes	Single-Ended	No		6	3000	4.5	35	16	PDIP,PLCC,SOIC	2.40	Load Share Controller
UC3902	No	Differential	Yes	User Pgrmable	6		2.7	20	8	PDIP,SOIC	1.76	Load Share Controller
UC3907	Yes	Single-Ended	No		6	3000	4.5	36	16	CDIP,PDIP,SOIC	1.98	Load Share Controller

### Power Supply Support—Feedback Signal Generators

Device Name	Output Current (A)	On Board Reference	On Board Oscillator	UVLO	Shut-down	Soft Start	Operating Supply		Operating Supply Current (mA)	Ref. Voltage (V)	V <sub>ref</sub> Tol (%)	Pin Count	Package	Price*	Description
							(min) (V)	(max) (V)							
UC1901	0.035	Yes	Usable to 5 MHz	Yes	No	No	4.5	40	5	1.5	2	14	CDIP,LCCC	16.07	Isolated Feedback Generator
UC2901	0.035	Yes	Usable to 5 MHz	Yes	No	No	4.5	40	5	1.5	2	14	CDIP,PDIP,PLCC,SOIC	2.60	Isolated Feedback Generator
UC29431	0.1	2.82, 3.12, 5.1, 7.8, 10.42, 12.24/0.7%		No	No	No	2.2	36	0.5	1.3	0.8	8	SOIC	3.51	Precision Adjustable Shunt Regulator
UC29432	0.1	1.3	No	No	No	No	2.2	36	0.5	1.3	0.8	8	PDIP,SOIC	3.70	Precision Analog Controller
UC3901	0.035	Yes	Usable to 5 MHz	Yes	No	No	4.5	40	5	1.5	3	14	CDIP,PDIP,PLCC,SOIC	1.85	Isolated Feedback Generator
UC39431	0.1	2.82, 3.12, 5.1, 7.8, 10.42, 12.24/0.7%		No	No	No	2.2	36	0.5	1.3	0.8	8	PDIP,SOIC	2.34	Precision Adjustable Shunt Regulator
UC39432	0.1	1.3	No	No	No	No	2.2	36	0.5	1.3	0.8	8	PDIP,SOIC	2.10	Precision Analog Controller
UC39432B	0.13	1.3	No	No	No	No	2.2	36	0.5	1.3	1	8	SOIC	2.19	Precision Adjustable Shunt Regulator

### Power Supply Support—Schottky Diode Arrays

Device Name	Output Current (A)	V <sub>IN</sub> (V)	V <sub>IN</sub> (max) (V)	Pin Count	Package	Price*	Description
UC1611	1	0	50	8	CDIP,LCCC	15.73	Quad Schottky Diode Array
UC2610	1	0	50	8	PDIP	2.74	Dual Schottky Diode Bridge
UC3610	3	0	50	8	PDIP,SOIC	2.22	Dual Schottky Diode Bridge
UC3611	3	0	50	8	CDIP,PDIP,SOIC	1.82	Quad Schottky Diode Array

\*Budgetary price per unit in U.S. dollars, lots of 1,000+

Preview devices announced but not yet in production appear in **BOLD**.

## ■ Power Supply Support—PMOS Switches

Device Name	Number of FETs	V <sub>DS</sub> (V)	I <sub>D</sub> (V <sub>GS</sub> = -10 V) (max) (A)	r <sub>DS(on)</sub> (V <sub>GS</sub> = -10 V) (typ) (mΩ)	Package	Price*	Description
TPS1100	1	-15	-1.6	180	SOIC,TSSOP	0.45	Single P-channel Enhancement-Mode MOSFET
TPS1101	1	-15	-2.3	90	SOIC,TSSOP	0.67	Single P-channel Enhancement-Mode MOSFET
TPS1120	2	-15	-1.7	180	SOIC	0.63	Dual P-channel Enhancement-Mode MOSFET

## ■ Voltage References and Shunts

Device Name	V <sub>O</sub> (V)	V <sub>out</sub> /V <sub>ref</sub> Initial Tol (%)	Min I <sub>Z</sub> for Regulation (μA)	I <sub>q</sub> (μA)	I <sub>out</sub> /I <sub>Z</sub> (max) (mA)	V <sub>IN</sub> (min) (V)	V <sub>IN</sub> (max) (V)	V <sub>O</sub> Adjustable (min) (V)	V <sub>O</sub> Adjustable (max) (V)	Temp Coeff (max) (ppm/°C)	Temp Coeff (typ) (ppm/°C)	Package	Price*	Description
<b>Current Source and Mirror</b>														
REF200		1			0.1	2.5	40			25		SOIC	2.54	Dual Current Source/Current Sink
<b>Digitally Controlled</b>														
UC3910	5			3500	10	5	12	2	3.5			PDIP,SOIC	2.72	4-Bit DAC and Voltage Monitor
UCC391		1		1800	0.15	5	8	1.3	3.5			MSOP,TSSOP	1.25	5-Bit Pgrmable Output BICMOS Precision Voltage Reference
<b>Series</b>														
REF02	5	0.2		1400	21	8	40			10	4	PDIP,SOIC	1.66	+5V Precision Voltage Reference
REF102	10	0.05		1400	10	11.4	36			5		PDIP,SOIC	2.27	Precision Voltage Reference
REF3012	1.25	0.2		50		1.8	5.5			50	20	SOP	0.59	50ppm/C, 50μA in SOT23-3 Voltage Ref
REF3020	2.048	0.2		50		2.049	5.5			50	20	SOP	0.59	50ppm/C, 50μA in SOT23-3 Voltage Ref
REF3025	2.5	0.2		50		2.501	5.5			50	20	SOP	0.59	50ppm/C, 50μA in SOT23-3 Voltage Ref
REF3033	3.3	0.2		50		3.301	5.5			50	20	SOP	0.59	50ppm/C, 50μA in SOT23-3 Voltage Ref
REF3040	4.096	0.2		50		4.097	5.5			50	20	SOP	0.59	50ppm/C, 50μA in SOT23-3 Voltage Ref
<b>Shunts</b>														
LM236-2.5	2.49	2	400		10					33	13	SOIC	0.81	2.5-V Integrated Reference Circuit
LM285-1.2	1.235	1	10		20						20	SOIC,TO/SOT	1.05	μPower Voltage Reference
LM285-2.5	2.5	1.5	20		20						20	SOIC,TO/SOT	1.05	μPower Voltage Reference
LM336-2.5	2.49	4	400		10					34	10	SOIC,TO/SOT	0.70	2.5-V Integrated Reference Circuit
LM336B-2.5	2.49	2	400		10					34	10	SOIC,TO/SOT	0.77	Precision Voltage Reference
LM385-1.2	1.235	2	10		20						20	SOIC,TO/SOT	0.42	μPower Voltage Reference
LM385-2.5	2.5	3	20		20						20	SOIC,TO/SOT	0.42	μPower Voltage Reference
LM385B-1.2	1.235	1	10		20						20	SOIC,TO/SOT	0.56	μPower Voltage Reference
LM385B-2.5	2.5	1.5	20		20						20	SOIC,TO/SOT	0.56	μPower Voltage Reference
LT1004-1.2	1.235	0.3	10		20						20	SOIC,TO/SOT	1.25	μPower Integrated Precision Voltage Ref
LT1004-2.5	2.5	0.8	20		20						20	SOIC,TO/SOT	1.25	μPower Integrated Precision Voltage Ref
LT1009	2.5	0.2	400		10					23		SOIC,TO/SOT,TSSOP	0.77	2.5-V Integrated Reference Circuit

\*Budgetary price per unit in U.S. dollars, lots of 1,000+

Preview devices announced but not yet in production appear in **BOLD**.

■ Voltage References and Shunts (Continued)

Device Name	V <sub>O</sub> (V)	V <sub>out</sub> /V <sub>ref</sub> Initial Tol (%)	Min I <sub>z</sub> for Regulation (μA)	I <sub>q</sub> (μA)	I <sub>out</sub> /I <sub>z</sub> (max) (mA)	V <sub>IN</sub>		V <sub>O</sub> Adjustable		Temp Coeff		Package	Price*	Description
						(min) (V)	(max) (V)	(min) (V)	(max) (V)	(max) (ppm/°C)	(typ) (ppm/°C)			
<b>Shunts (Continued)</b>														
REF1004-1.2	1.235	0.3	10		20					20		SOIC	1.30	μPower Voltage Reference
REF1004-2.5	2.5	0.4	20		20					20		SOIC	1.23	μPower Voltage Reference
TL1431		0.4	1000		100	2.5		2.5	36	114	23	CDIP,LCCC,PFM,SOIC, TO/SOT,TSSOP	0.63	Precision Adjustable (Pgrmable) Shunt Reference
TL431		2	1000		100	2.495		2.495	36	96	16	PDIP,PFM,SOIC,SOP, SOT,SOT23,TO/SOT, TSSOP	0.20	Adjustable Precision Shunt Regulator
TL431A		1	600		100	2.495		2.495	36	80	16	PDIP,SOIC,SOP, TO/SOT,TSSOP	0.24	Adjustable Precision Shunt Regulator
TLV431		1.5	80		15	1.24		1.24	6	129	39	SOT23,TO/SOT	0.46	Low-Voltage Adjustable Precision Shunt Reg
TLV431A		1	80		15	1.24		1.24	6	129	39	SOIC,SOT23,TO/SOT	0.60	Low Voltage Adjustable Precision Shunt Reg

■ Battery Management—Chargers

Device Name	Control Topology	Primary Charge Termination Method	Safety Charge Timer	Temperature Monitoring	Charge Status Outputs	Package	Price*	Sorted By		Description
								Control Topology	Primary Charge Termination Method	
BQ2002	Current Limited	-dV, PVD	Yes	Yes	1	PDIP,SOIC	1.16	NiCd/NiMH Gating Charge Management IC with Negative dV And Peak Voltage Detection Termination		
BQ2002C	Current Limited	-dV, PVD	Yes	Yes	1	PDIP,SOIC	1.16	NiCd/NiMH Gating Charge Management IC with Negative dV And Peak Voltage Detection Termination		
BQ2002D	Current Limited	dT/dt	Yes	Yes	1	SOIC	1.16	NiCd/NiMH Gating Charge Management IC with dT/dt Termination		
BQ2002E	Current Limited	-dV, PVD	Yes	Yes	1	PDIP,SOIC	1.16	NiCd/NiMH Gating Charge Management IC with Negative dV And Peak Voltage Detection Termination		
BQ2002F	Current Limited	-dV, PVD	Yes	Yes	1	PDIP,SOIC	1.16	NiCd/NiMH Gating Charge Management IC with Negative dV And Peak Voltage Detection Termination		
BQ2002G	Current Limited	-dV, PVD	Yes	Yes	1	PDIP,SOIC	1.16	NiCd/NiMH Gating Charge Management IC with Negative dV And Peak Voltage Detection Termination		
BQ2002T	Current Limited	dT/dt	Yes	Yes	1	PDIP,SOIC	1.16	NiCd/NiMH Gating Charge Management IC with dT/dt Termination		
BQ24200	Current Limited	min current	Yes	Yes	1	MSOP	1.60	500-mA, 4.2-V Single-Chip Li-Ion Charger for Current-Limited App. w/ Temp. Sense, MSOP-8		
BQ24201	Current Limited	min current	Yes	Yes	1	MSOP	1.60	500-mA, 4.1-V Single-Chip Li-Ion Charger for Current-Limited App. w/ Temp. Sense, MSOP-8		
BQ24202	Current Limited	min current	Yes	No	1	MSOP	1.55	500-mA, 4.2-V Single-Chip Li-Ion Charger for Current-Limited App. w/Charge Status, MSOP-8		
BQ24203	Current Limited	min current	Yes	No	1	MSOP	1.55	500-mA, 4.1-V Single-Chip Li-Ion Charger for Current-Limited App. w/Charge Status, MSOP-8		
BQ24204	Current Limited	min current	Yes	No	0	MSOP	1.50	500-mA, 4.2-V Single-Chip Li-Ion Charger for Current-Limited App., MSOP-8		
BQ24205	Current Limited	min current	Yes	Yes	0	MSOP	1.50	500-mA, 4.1-V Single-Chip Li-Ion Charger for Current-Limited App., MSOP-8		
BQ2057	Linear	min current	No	Yes	1	MSOP,SOIC,TSSOP	1.26	Li-Ion Low-Dropout Linear (4.1V) Charge Management IC For One-Cell Applications with AutoComp™		
BQ2057C	Linear	min current	No	Yes	1	MSOP,SOIC,TSSOP	1.26	Li-Ion Low-Dropout Linear (4.2V) Charge Management IC For One-Cell Applications with AutoComp		
BQ2057T	Linear	min current	No	Yes	1	SOIC,TSSOP	1.26	Li-Ion Low-Dropout Linear (8.2V) Charge Management IC For Two-Cell Applications with AutoComp		
BQ2057W	Linear	min current	No	Yes	1	SOIC,TSSOP	1.26	Li-Ion Low-Dropout Linear (8.4V) Charge Management IC For Two-Cell Applications with AutoComp		
BQ24001	Linear	min current	Yes	Yes	1	HTSSOP	1.77	Li-Ion Linear (4.1V & 4.2V) Charge Management IC For One-Cell Applications W/Integrated FET, One LED		

\*Budgetary price per unit in U.S. dollars, lots of 1,000+

Preview devices announced but not yet in production appear in **BOLD**.

### Battery Management—Chargers (Continued)

Device Name	Sorted By Control Topology	Primary Charge Termination Method	Safety Charge Timer	Temperature Monitoring	Charge Status Outputs	Package	Price*	Description
BQ24002	Linear	min current	Yes	Yes	2	HTSSOP	1.77	Li-Ion Linear (4.1V & 4.2V) Charge Management IC For One-Cell Applications W/Integrated FET, Two LED
BQ24003	Linear	min current	Yes	Yes	1	HTSSOP	1.77	Li-Ion Linear (4.1V & 4.2V) Charge Management IC For One-Cell Apps W/Integrated FET, Bi-Color LED
BQ24004	Linear	min current	Yes	Yes	1	HTSSOP	1.77	Li-Ion Linear (8.2V & 8.4V) Charge Management IC For Two-Cell Apps W/Integrated FET, One LED
BQ24005	Linear	min current	Yes	Yes	2	HTSSOP	1.77	Li-Ion Linear (8.2V & 8.4V) Charge Management IC For Two-Cell Apps W/Integrated FET, Two LED
BQ24006	Linear	min current	Yes	Yes	1	HTSSOP	1.77	Li-Ion Linear (8.2V & 8.4V) Charge Management IC For Two-Cell Apps W/Integrated FET, Bi-Color LED
BQ24007	Linear	min current	Yes	Yes	1	HTSSOP	1.77	Single-Cell Li-Ion Charger for PDAs/Internet Appliances, Integrated FET, LED
BQ24008	Linear	min current	Yes	Yes	1	HTSSOP	1.77	Single-Cell Li-Ion Charger for PDAs/Internet Appliances, Integrated FET, Bi-Color LED
UC2906	Linear	max voltage, min current	No	No	1	PDIP,PLCC,SOIC	2.75	Lead-Acid Linear Charge Management IC
UC3906	Linear	max voltage, min current	No	No	1	PDIP,PLCC,SOIC	2.51	Lead-Acid Linear Charge Management IC
BQ2000	Switchmode	PVD, min current	Yes	Yes	1	PDIP,SOIC,TSSOP	1.77	Multi-Chemistry Switchmode Charge Management IC with Peak Voltage Detection Termination
BQ2000T	Switchmode	dT/dt, min current	Yes	Yes	1	PDIP,SOIC,TSSOP	1.77	Multi-Chemistry Switchmode Charge Management IC with dT/dt Termination
BQ2003	Switchmode	-dV, dT/dt	Yes	Yes	2	PDIP,SOIC	1.99	NiCd/NiMH Switchmode Charge Management IC W/Negative dV, dT/dt Termination
BQ2004	Switchmode	-dV, PVD, dT/dt	Yes	Yes	2	PDIP,SOIC	1.99	NiCd/NiMH Switchmode Charge Management IC W/Negative dV, Peak Voltage Detection, dT/dt Termination
BQ2004E	Switchmode	-dV, PVD, dT/dt	Yes	Yes	2	PDIP,SOIC	1.99	NiCd/NiMH Switchmode Charge Management IC W/Negative dV, Peak Voltage Detection, dT/dt Termination
BQ2004H	Switchmode	-dV, PVD, dT/dt	Yes	Yes	2	PDIP,SOIC	1.99	NiCd/NiMH Switchmode Charge Management IC W/Negative dV, Peak Voltage Detection, dT/dt Termination
BQ2005	Switchmode	-dV, dT/dt	Yes	Yes	4	SOIC	2.33	NiCd/NiMH Switchmode Charge Management IC For Sequential Charging Of Dual Battery Packs
BQ2031	Switchmode	max voltage, -d2V, min current	Yes	Yes	3	PDIP,SOIC	2.66	Lead-Acid Switchmode Charge Management IC with User-Selectable Charge Algorithms
BQ2054	Switchmode	min current	Yes	Yes	3	PDIP,SOIC	2.34	Li-Ion Switchmode Charge Management IC
BQ24400	Switchmode	PVD, min current	Yes	Yes	1	PDIP,SOIC,TSSOP	1.60	Pgrmable NiCd/NiMH Fast-Charge Management Device
BQ24401	Switchmode	dT/dt, min current	Yes	Yes	1	PDIP,SOIC,TSSOP	1.60	Pgrmable NiCd/NiMH Fast-Charge Management Device
BQ24700	Switchmode	Host Controlled	No	No	0	TSSOP	1.92	Battery Charger Controller and Selector with DPM
BQ24701	Switchmode	Host Controlled	No	No	0	TSSOP	1.92	Battery Charger Controller and Selector with DPM
BQ2954	Switchmode	min current	Yes	Yes	2	PDIP,SOIC	2.34	Li-Ion Switchmode Charge Management IC
UC2909	Switchmode	max voltage, min current	No	Yes	2	PDIP,SOIC	3.19	Lead-Acid Switchmode Charge Management IC with Differential Current Sense
UC3909	Switchmode	max voltage, min current	No	Yes	2	PDIP,PLCC,SOIC	2.91	Lead-Acid Switchmode Charge Management IC with Differential Current Sense
UCC3956	Switchmode	min current	Yes	No	2	PDIP,SOIC	1.92	Li-Ion Switchmode Charge Management IC with Differential Current Sense

\*Budgetary price per unit in U.S. dollars, lots of 1,000+

Preview devices announced but not yet in production appear in **BOLD**.

**Battery Management—Gas Gauges**

Device Name	Charge vs. Discharge Relationship	Sorted By Battery Capacity		Communication Interface	Number of Capacity Indication LEDs (max)	Li-Ion Safety Enhancement	Package	Price*	Description
		(min) (mAh)	(max) (mAh)						
BQ2010	C equals D	500	6000	DQ	6	No	SOIC	3.64	NiCd/NiMH Gas Gauge with 1-Wire (DQ) Interface And 5 LED Drivers
BQ2012	C equals D	500	6000	DQ	6	No	SOIC	3.64	NiCd/NiMH Gas Gauge with 1-Wire (DQ) Interface, 5 LED Drivers And Slow-Charge Control
BQ2014	C equals D	500	6000	DQ	5	No	SOIC	3.64	NiCd/NiMH Gas Gauge W/1-Wire (DQ) I/F, 5 LED Drivers, Control Signals For BQ2004 Fast-Charge IC
BQ2014H	C equals D	500	6000	HDQ	5	No	SOIC	3.50	NiCd/NiMH Gas Gauge with High-Speed 1-Wire (HDQ) Interface And 5 LED Drivers
BQ2050	C equals D	500	6000	DQ	5	No	SOIC	3.64	Li-Ion Gas Gauge with 1-Wire (DQ) Interface And 5 LED Drivers
BQ2050H	C equals D	500	6000	HDQ	5	Yes	SOIC	3.50	Li-Ion Gas Gauge with High-Speed 1-Wire (HDQ) Interface And 5 LED Drivers
<b>BQ2083</b>	<b>C equals D</b>	<b>500</b>	<b>15000</b>	<b>SMBus</b>	<b>5</b>	<b>Yes</b>	<b>TSSOP</b>	<b>Call</b>	<b>SBS Compliant Gas Gauge IC for Use with BQ29311</b>
BQ2011	D much greater than C	800	2000	DQ	5	No	SOIC	3.55	NiCd Gas Gauge For High Discharge Rates (>5A), Small Pack Capacities (<2Ah)
BQ2040	C equals D	800	10000	SMBus	4	No	SOIC	3.64	Multi-Chemistry Smart Battery System (SBS) 1.0 Compliant Gas Gauge with 4 LED Drivers
BQ2060	C equals D	800	10000	SMBus, HDQ16	5	Yes	SSOP	3.70	Multi-Chemistry SBS 1.1 Compliant Gas Gauge with 5 LED Drivers, Additional Battery Mgmt Control
BQ2063	C equals D	800	10000	SMBus, HDQ16	5	Yes	SSOP	3.70	Li-Ion SBS 1.1 Compliant Gas Gauge with Protector Interface
BQ2092	C equals D	800	10000	SMBus	4	No	SOIC	3.55	Multi-Chemistry SBS 0.95 Compliant Gas Gauge with 4 LED Drivers
BQ2016	D much greater than C	1000	4500	HDQ	5	No	SSOP	3.30	NiCd/NiMH Gas Gauge For High Discharge Rates (>5A), with Pack Capacities (<5Ah)
BQ2052		1000	12000	HDQ	5	No	SOIC	3.80	Primary Lithium Gas Gauge W/High-Speed 1-Wire (HDQ) Interface, 3 Prgmable LED Patterns
BQ2013H	D much greater than C	2000	15000	HDQ	5	No	SOIC	3.50	NiCd/NiMH/Lead-Acid Gas Gauge For High Discharge Rates (>10A), Pgmable Offset Error & Load Comp.

\*Budgetary price per unit in U.S. dollars, lots of 1,000+

Preview devices announced but not yet in production appear in **BOLD**.

### Battery Management—Battery Monitoring

Device Name	VFC Resolution (μVh)	Temperature Measurement Resolution (°C)	Comm. Interface	ID-ROM (bits)	Programmable			Price*	Description
					Memory	Output Ports	Package		
BQ2018	12.5	10	HDQ		RAM	1	SOIC,TSSOP	1.77	Multi-Chemistry Charge/Discharge Counter W/ High-Speed 1-Wire I/F (HDQ)
BQ2019	3.05	1	HDQ	64	RAM, FLASH	1	TSSOP	1.82	FLASH-Based Precision Multi-Chemistry Charge/Discharge Counter W/High-Speed 1-Wire I/F (HDQ)
BQ2023	3.05	0.25	SDQ	64	RAM, FLASH	1	TSSOP	1.87	Single-Wire Advanced Battery Monitor IC for Cellular and PDA Applications
BQ26200	3.05	1	HDQ	64	RAM, FLASH	1	TSSOP	1.87	FLASH-Based Precision Multi-Chemistry Charge/Discharge Counter W/1-Wire I/F (HDQ)
BQ26231	12.5	10	HDQ	0	none	0	TSSOP	1.42	Cost-Efficient Coulomb Counter for Battery Capacity Monitoring In Embedded Portable Applications

### Battery Management—Protection ICs

Device Name	Sorted By		Protection FETs	Overcurrent		Serial Bus	Shutdown Current (μA)	Package	Price*	Description
	Cells Protected (max)	Overvoltage Threshold (V)		Protection	Delay					
	UCC3952-1	1		4.2	Internal					
UCC3952-2	1	4.25	Internal	Yes	Yes	No	2.5	SOIC,TSSOP	1.65	Single Cell Lithium-Ion Battery Protection IC W/Internal FET And Vov = 4.25V
UCC3952-3	1	4.3	Internal	Yes	Yes	No	2.5	SOIC,TSSOP	1.65	Single Cell Lithium-Ion Battery Protection IC W/Internal FET And Vov = 4.30V
UCC3952-4	1	4.35	Internal	Yes	Yes	No	2.5	SOIC,TSSOP	1.65	Single Cell Lithium-Ion Battery Protection IC W/Internal FET And Vov = 4.35V
UCC3911-1	2	4.2	Internal	Yes	Yes	No	3.5	SSOP	2.02	2-Cell Lithium-Ion Battery Protection IC W/Internal FET And Vov = 4.20V
UCC3911-2	2	4.25	Internal	Yes	Yes	No	3.5	SSOP	2.02	2-Cell Lithium-Ion Battery Protection IC W/Internal FET And Vov = 4.25V
UCC3911-3	2	4.3	Internal	Yes	Yes	No	3.5	SSOP	2.02	2-Cell Lithium-Ion Battery Protection IC W/Internal FET And Vov = 4.30V
UCC3911-4	2	4.35	Internal	Yes	Yes	No	3.5	SSOP	2.02	2-Cell Lithium-Ion Battery Protection IC W/Internal FET And Vov = 4.35V
BQ29311	4		External	Yes	Yes	Yes	1	TSSOP	1.20	3-, 4-Cell Lithium-Ion Protection IC for Use with BQ2083
UCC3957-1	4	4.2	External	Yes	Yes	No	3.5	SSOP	1.46	3-, 4-Cell Lithium-Ion Protection IC W/Vov = 4.20V
UCC3957-2	4	4.25	External	Yes	Yes	No	3.5	SSOP	1.46	3-, 4-Cell Lithium-Ion Protection IC W/Vov = 4.25V
UCC3957-3	4	4.3	External	Yes	Yes	No	3.5	SSOP	1.46	3-, 4-Cell Lithium-Ion Protection IC W/Vov = 4.30V
UCC3957-4	4	4.35	External	Yes	Yes	No	3.5	SSOP	1.46	3-, 4-Cell Lithium-Ion Protection IC W/Vov = 4.35V

\*Budgetary price per unit in U.S. dollars, lots of 1,000+

Preview devices announced but not yet in production appear in **BOLD**.

■ Power Distribution Devices—Hot-Swap Controllers (External FET)

(Table continued on next page)

Device Name	No. of Outputs	Enable/Shutdown	Ramp	V <sub>IN</sub>		V <sub>IN2</sub>		Current Limit Type	Circuit Breaker Function	I <sub>q</sub> (typ) (mA)	Overcurrent Reporting	Power Good or UVLO Reporting
				(min) (V)	(max) (V)	(min) (V)	(max) (V)					
TPS2300	2	1L	Voltage	3	13	3	5.5	No	Adjustable	0.5	Yes	PG
TPS2301	2	1H	Voltage	3	13	3	5.5	No	Adjustable	0.5	Yes	PG
TPS2306	2	1H	Current	4	13.6	2.75	13.6	Adjustable	Adjustable	0.04	Yes	UVLO
TPS2310	2	1L	Voltage	3	13	3	5.5	No	Adjustable	0.5	Yes	PG
TPS2311	2	1H	Voltage	3	13	3	5.5	No	Adjustable	0.5	Yes	PG
TPS2320	2	1L	Voltage	3	13	3	5.5	No	Adjustable	0.5	Yes	No
TPS2321	2	1H	Voltage	3	13	3	5.5	No	Adjustable	0.5	Yes	No
TPS2330	1	1L	Voltage	3	13			No	Adjustable	0.5	Yes	PG
TPS2331	1	1H	Voltage	3	13			No	Adjustable	0.5	Yes	PG
TPS2345	4	L	Current					Adjustable	Adjustable	2	No	PG
UC2914	1	1L	Current	5	35			Adjustable	Adjustable	8	Yes	UVLO
UC3914	1	1L	Current	5	35			Adjustable	Adjustable	8	Yes	UVLO
UCC2913	1	1H	Current	-9999	-10.5			Adjustable	Adjustable	1	Yes	UVLO
UCC2917	1	1L	Current	15	9999			Adjustable	Adjustable	5	Yes	UVLO
UCC2919	1	1L	Current	3	8			Adjustable	Adjustable	1	Yes	UVLO
UCC2921	1	1H	Current	-9999	-10.5			Adjustable	Adjustable	1	Yes	UVLO
UCC3913	1	1H	Current	-9999	-10.5			Adjustable	Adjustable	1	Yes	UVLO
UCC3917	1	1L	Current	15	9999			Adjustable	Adjustable	5	Yes	UVLO
UCC3919	1	1L	Current	3	8			Adjustable	Adjustable	1	Yes	UVLO
UCC3921	1	1H	Current	-9999	-10.5			Adjustable	Adjustable	1	Yes	UVLO

■ Power Distribution Devices—Hot-Swap Switches (Integrated FET)

(Table continued on next page)

Device Name	Number of FETs	Enable/Shutdown	Ramp	V <sub>IN</sub>		Current Limit Type	Current Limit (min) (A)	Circuit Breaker Function	r <sub>DS(on)</sub> per FET (typ) (mΩ)	I <sub>q</sub> (typ) (μA)	Overcurrent Reporting	Over Temp Reporting	UVLO	Average Power Limiting
				(min) (V)	(max) (V)									
TPS2020	1	1L	Voltage	2.7	5.5	Fixed	0.22	No	33	73	Yes	Yes	Yes	No
TPS2021	1	1L	Voltage	2.7	5.5	Fixed	0.66	No	33	73	Yes	Yes	Yes	No
TPS2022	1	1L	Voltage	2.7	5.5	Fixed	1.1	No	33	73	Yes	Yes	Yes	No
TPS2023	1	1L	Voltage	2.7	5.5	Fixed	1.65	No	33	73	Yes	Yes	Yes	No
TPS2024	1	1L	Voltage	2.7	5.5	Fixed	2.2	No	33	73	Yes	Yes	Yes	No
TPS2030	1	1H	Voltage	2.7	5.5	Fixed	0.22	No	33	73	Yes	Yes	Yes	No
TPS2031	1	1H	Voltage	2.7	5.5	Fixed	0.66	No	33	73	Yes	Yes	Yes	No
TPS2032	1	1H	Voltage	2.7	5.5	Fixed	1.1	No	33	73	Yes	Yes	Yes	No
TPS2033	1	1H	Voltage	2.7	5.5	Fixed	1.65	No	33	73	Yes	Yes	Yes	No
TPS2034	1	1H	Voltage	2.7	5.5	Fixed	2.2	No	33	73	Yes	Yes	Yes	No
UCC2915	1	1L	Current	7	15	Adjustable		Fixed	150	100	Yes	Yes	No	Fixed 2% Duty Cycle

\*Budgetary price per unit in U.S. dollars, lots of 1,000+

Preview devices announced but not yet in production appear in **BOLD**.



(Table continued from previous page)

Device Name	Average Power Limiting	Overcurrent Transient Filter	Start Delay	Automatic Retry	Package	Price*	Description
TPS2300	No	Pgrmable	Fixed	No	TSSOP	2.65	3-13V Dual HotSwap IC w/Independent Channel Circuit Breaking & Power Good Report, Act-Low Enable
TPS2301	No	Pgrmable	Fixed	No	TSSOP	2.65	3-13V Dual HotSwap IC w/Independent Channel Circuit Breaking & Power Good Report, Act-High Enable
TPS2306	No	Adjustable	Adjustable	No	SOIC	2.65	2.75-13.6V Dual Sequencing HotSwap IC
TPS2310	No	Pgrmable	Fixed	No	TSSOP	2.65	3-13V Dual HotSwap IC w/Inter-dependent Channel Circuit Breaking & Pwr Good Report, Act-Low Enable
TPS2311	No	Pgrmable	Fixed	No	TSSOP	2.65	3-13V Dual HotSwap IC w/Inter-dependent Channel Circuit Breaking & Pwr Good Report, Act-High Enable
TPS2320	No	Pgrmable	Fixed	No	SOIC,TSSOP	2.35	3-13V Dual Hot-Swap IC w/Independent Channel Circuit Breaking, Act-Low Enable
TPS2321	No	Pgrmable	Fixed	No	SOIC,TSSOP	2.35	3-13V Dual Hot-Swap IC w/Independent Channel Circuit Breaking, Act-High Enable
TPS2330	No	Pgrmable	Fixed	No	SOIC,TSSOP	2.00	3-13V Single Hot-Swap IC w/Power Good Report, Act-Low Enable
TPS2331	No	Pgrmable	Fixed	No	SOIC,TSSOP	2.00	3-13V Single Hot-Swap IC w/Power Good Report, Act-High Enable
TPS2345	No	Adjustable	Fixed	No	TSSOP	4.51	CompactPCI Hot Swap Power Manager Industrial Temp IC that meets the PICMG Standard
UC2914	Pgrmable	Pgrmable	Pgrmable	Yes	PDIP,SOIC	4.65	5-35V Single, Hot-Swap IC Industrial Temperature Range
UC3914	Pgrmable	Pgrmable	Pgrmable	Yes	PDIP,SOIC	4.07	5-35V Single, Hot-Swap IC Commercial Temperature Range
UCC2913	Pgrmable	Pgrmable	Pgrmable	Yes	PDIP,SOIC	1.52	Negative Floating Single, Hot-Swap IC Industrial Temp. Range
UCC2917	Pgrmable	Pgrmable	Pgrmable	Yes	PDIP,SOIC	2.02	Positive Floating Single, Hot-Swap IC Industrial Temp. Range
UCC2919	Pgrmable	Pgrmable	Pgrmable	Yes	SOIC,TSSOP	2.73	3-8V Single, Hot-Swap IC Industrial Temp.
UCC2921	Pgrmable	Pgrmable	Pgrmable	Yes	PDIP,SOIC	1.74	Latchable Negative Floating Single, Hot-Swap IC Industrial Temp.
UCC3913	Pgrmable	Pgrmable	Pgrmable	Yes	PDIP,SOIC	1.43	Negative Floating Single, Hot-Swap IC Commercial Temp.
UCC3917	Pgrmable	Pgrmable	Pgrmable	Yes	PDIP,SOIC	1.76	Positive Floating Single, Hot-Swap IC Commercial Temp.
UCC3919	Pgrmable	Pgrmable	Pgrmable	Yes	SOIC,TSSOP	2.20	3-8V Single, Hot-Swap IC Commercial Temp.
UCC3921	Pgrmable	Pgrmable	Pgrmable	Yes	PDIP,SOIC	1.51	Latchable Negative Floating Single, Hot-Swap IC Commercial Temp.

(Table continued from previous page)

Device Name	Nemko Compliant	UL-Recognized	Overcurrent Transient Filter	Start Delay	Automatic Retry	Package	Price*	Description
TPS2020	Yes	No	No	No		PDIP,SOIC	0.99	0.22A, 2.7-5.5V Single Hot-Swap IC Hi-Side MOSFET, Fault Report, Act-Low Enable
TPS2021	Yes	No	No	No		PDIP,SOIC	0.99	0.66A, 2.7-5.5V Single Hot-Swap IC Hi-Side MOSFET, Fault Report, Act-Low Enable
TPS2022	Yes	No	No	No		PDIP,SOIC	0.99	1.1A, 2.7-5.5V Single Hot-Swap IC Hi-Side MOSFET, Fault Report, Act-Low Enable
TPS2023	No	No	No	No		PDIP,SOIC	0.99	1.65A, 2.7-5.5V Single Hot-Swap IC Hi-Side MOSFET, Fault Report, Act-Low Enable
TPS2024	No	No	No	No		PDIP,SOIC	0.99	2.2A, 2.7-5.5V Single Hot-Swap IC Hi-Side MOSFET, Fault Report, Act-Low Enable
TPS2030	Yes	No	No	No		PDIP,SOIC	0.99	0.22A, 2.7-5.5V Single Hot-Swap IC Hi-Side MOSFET, Fault Report, Act-High Enable
TPS2031	Yes	No	No	No		PDIP,SOIC	0.99	0.66A, 2.7-5.5V Single Hot-Swap IC Hi-Side MOSFET, Fault Report, Act-High Enable
TPS2032	Yes	No	No	No		PDIP,SOIC	0.99	1.1A, 2.7-5.5V Single Hot-Swap IC High-Side MOSFET, Fault Report, Act-High Enable
TPS2033	No	No	No	No		PDIP,SOIC	0.99	1.65A, 2.7-5.5V Single Hot-Swap IC Hi-Side MOSFET, Fault Report, Act-High Enable
TPS2034	No	No	No	No		PDIP,SOIC	0.99	2.2A, 2.7-5.5V Single Hot-Swap IC Hi-Side MOSFET, Fault Report, Act-High Enable
UCC2915	No	No	Pgrmable	Pgrmable	Yes	SOIC	3.93	0 to 3A, 7 to 15V Single Hot-Swap IC Hi-Side MOSFET, 100µA IQ in Sleep Mode, Industrial Temp.

\*Budgetary price per unit in U.S. dollars, lots of 1,000+

Preview devices announced but not yet in production appear in **BOLD**.

■ Power Distribution Devices—Hot-Swap Switches (Integrated FET) (Continued)

(Table continued on next page)

Device Name	Number of FETs	Enable/Shutdown	Ramp	V <sub>IN</sub>		Current Limit Type	Current Limit (min) (A)	Circuit Breaker Function	r <sub>DS(on)</sub> per FET (typ) (mΩ)	I <sub>q</sub> (typ) (μA)	Overcurrent Reporting	Over Temp Reporting	UVLO	Average Power Limiting
				(min) (V)	(max) (V)									
UCC2918	1	1L	Current	3	6	Adjustable		Fixed	75	100	Yes	Yes	No	Fixed 3% Duty Cycle
UCC3912	1	1L	Current	3	8	Adjustable		Fixed	150	100	Yes	Yes	No	Fixed 3% Duty Cycle
UCC3915	1	1L	Current	7	15	Adjustable		Fixed	150	100	Yes	Yes	No	Fixed 2% Duty Cycle
UCC39151	1	1L	Current	7	15	Adjustable		Fixed	150	100	Yes	Yes	No	Fixed 2% Duty Cycle
UCC3916	1	1L	Current	4	6	Fixed	1.65	Fixed	220	100	Yes	Yes	No	Fixed 3% Duty Cycle
UCC39161	1	1L	Current	4	6	Fixed	0.6	Fixed	220	100	Yes	Yes	No	Fixed 3% Duty Cycle
UCC3918	1	1L	Current	3	6	Adjustable		Fixed	75	100	Yes	Yes	No	Fixed 3% Duty Cycle

■ Power Distribution Devices—PCMCIA/Cardbus Switch Matrix

Device Name	3-V r <sub>DS(on)</sub> (typ) (mΩ)	5-V r <sub>DS(on)</sub> (typ) (mΩ)	Current and Temp Protection	Vpp_Good Reporting	Overcurrent Reporting	Supports 12 V	Supports Vpp	USB	Ports	Interface	Current Limit (min) (A)	Package	Price*	Description
TPS2043	80	80	Yes	No	Each	No	No	Yes	1	Parallel	0.7	SOIC	1.56	0.7A, 2.7-5.5V Triple (2In/3Out) Hi-Side MOSFET, Fault Report, Act-Low Enable
TPS2044	80	80	Yes	No	Each	No	No	No	2	Parallel	0.7	SOIC	1.98	0.7A, 2.7-5.5V Quad (2In/4Out) Hi-Side MOSFET, Fault Report, Act-Low Enable
TPS2053	80	80	Yes	No	Each	No	No	Yes	1	Parallel	0.7	SOIC	1.56	0.7A, 2.7-5.5V Triple (2In/3Out) Hi-Side MOSFET, Fault Report, Act-High Enable
TPS2054	80	80	Yes	No	Each	No	No	No	2	Parallel	0.7	SOIC	1.98	0.7A, 2.7-5.5V Quad (2 In/4 Out) Hi-Side MOSFET, Fault Report, Act-High Enable
TPS2201	225	160	Yes	Yes	Yes	Yes	Yes	No	2	Parallel	1	SSOP	6.72	1A Dual-Slot PC Card Power Switch w/ Parallel Interface
TPS2202	225	160	Yes	Yes	Yes	Yes	Yes	No	2	Serial	1	SSOP	6.72	1A Dual-Slot PC Card Power Switch w/ Serial Interface
TPS2202A	225	160	Yes	Yes	Yes	Yes	Yes	No	2	Serial	1	SSOP	6.72	1A Dual-Slot PC Card Power Switch w/ Serial Interface
TPS2205	110	140	Yes	No	Yes	Yes	Yes	No	2	Parallel	1	HTSSOP,SSOP	2.75	1A Dual-Slot PC Card Power Switch w/ Parallel Interface
TPS2206	110	140	Yes	No	Yes	Yes	Yes	No	2	Serial	1	HTSSOP,SSOP	3.95	1A Dual-Slot PC Card Power Switch w/ Serial Interface
TPS2211	50	50	Yes	No	Yes	Yes	Yes	No	1	Parallel	1	SSOP	1.79	1A Single-Slot PC Card Power Switch w/ Parallel Interface
TPS2211A	70	70	Yes	No	Yes	Yes	Yes	No	1	Parallel	1	SSOP	1.56	1A Single-Slot PC Card Power Switch w/ Parallel Interface
TPS2212	160	160	Yes	No	Yes	Yes	Yes	No	1	Parallel	0.3	SSOP	1.56	0.3A Single-Slot PC Card Power Switch w/ Parallel Interface
TPS2214	60	60	Yes	No	Yes	Yes	Yes	No	2	Serial	1	SSOP	3.46	1A Dual-Slot PC Card Power Switch w/ Serial Interface
TPS2214A	60	140	Yes	No	Yes	Yes	Yes	No	2	Serial	1	SSOP	2.90	1A Dual-Slot PC Card Power Switch w/ Serial Interface
TPS2216	60	60	Yes	No	Yes	Yes	Yes	No	2	Serial	1	HTSSOP,SSOP	3.46	1A Dual-Slot PC Card Power Switch w/ Serial Interface
TPS2216A	60	140	Yes	No	Yes	Yes	Yes	No	2	Serial	1	HTSSOP,SSOP	2.90	1A Dual-Slot PC Card Power Switch w/ Serial Interface
TPS2223	85	95	Yes	No	Yes	No	Yes	No	2	Serial	1	HTSSOP,SSOP	2.54	1A Dual-Slot PC Card Power Switch w/Serial Interface, No 12V Support
TPS2224	85	95	Yes	No	Yes	Yes	Yes	No	2	Serial	1	HTSSOP,SSOP	2.72	1A Dual-Slot PC Card Power Switch w/Serial Interface, 24-Pin Package
TPS2226	85	95	Yes	No	Yes	Yes	Yes	No	2	Serial	1	SSOP	2.75	1A Dual-Slot PC Card Power Switch w/Serial Interface, 30-Pin Package

\*Budgetary price per unit in U.S. dollars, lots of 1,000+

Preview devices announced but not yet in production appear in **BOLD**.

(Table continued from previous page)

Device Name	Nemko Compliant	UL-Recognized	Overcurrent Transient Filter	Start Delay	Automatic Retry	Package	Price*	Description
UCC2918	No	No	Pgrmable	Pgrmable	Yes	SOIC	3.64	0-4A, 3-6V Low RDS(on) Single Hot-Swap IC Hi-Side MOSFET, Industrial Temp.
UCC3912	No	No	Pgrmable	Pgrmable	Yes	PDIP,SOIC,TSSOP	2.15	0-3A, 3-8V Single Hot-Swap IC Hi-Side MOSFET, Commercial Temp.
UCC3915	No	No	Pgrmable	Pgrmable	Yes	PDIP,SOIC,TSSOP	2.40	0-3A, 7-15V Single Hot-Swap IC Hi-Side MOSFET, 100µA IQ in Sleep Mode, Comm. Temp.
UCC39151	No	No	Pgrmable	Pgrmable	Yes	PDIP,SOIC,TSSOP	5.20	0-3A, 7-15V Single Hot-Swap IC Hi-Side MOSFET, 20mA IQ in Sleep Mode, Comm. Temp.
UCC3916	No	No	Pgrmable	Pgrmable	Yes	SOIC	1.60	1.65A, 4-6V Single Hot-Swap IC Hi-Side MOSFET for SCSI Terminator Hot Swap, Comm. Temp.
UCC39161	No	No	Pgrmable	Pgrmable	Yes	SOIC	2.04	0.6A, 4-6V Low Current Single Hot-Swap IC Hi-Side MOSFET, Comm. Temp.
UCC3918	No	No	Pgrmable	Pgrmable	Yes	PDIP,SOIC	2.20	0-4A, 3-6V Low RDS(on) Single Hot-Swap IC Hi-Side MOSFET, Comm. Temp.

■ Power Distribution Devices—Power MUXes

Device Name	Number of Inputs	IN1, IN2 Input Voltage		Enable	IN1 r <sub>DS(on)</sub> (typ) (mΩ)	IN2 r <sub>DS(on)</sub> (typ) (mΩ)	IN1 Output Current (max) (A)	IN2 Output Current (max) (A)	Ambient Temp Range (°C)	Package	Price*	Description
		(min) (V)	(max) (V)									
TPS2080	2	2.7	5.5	2H	80	0.08			0 to 85	SOIC	1.11	0.7A, 2.7 to 5.5V Dual (2 Input/ 2 Output) High-Side MOSFET Switch IC, Fault Reporting, 2 Act-Hi En
TPS2081	2	2.7	5.5	1L, 1H	80	0.08			0 to 85	SOIC	1.11	0.7A, 2.7 to 5.5V Dual (2 In/2 Out) High-Side MOSFET Switch IC, Fault Report, 1 Act-High, 1 Act-Low
TPS2082	2	2.7	5.5	2L	80	0.08			0 to 85	SOIC	1.11	0.7A, 2.7 to 5.5V Dual (2 Input/ 2 Output) High-Side MOSFET Switch IC, Fault Reporting, 2 Act-Lo En
TPS2085	4	2.7	5.5	4H	80	0.08			0 to 85	SOIC	2.15	0.7A, 2.7 to 5.5V Quad (4 Input/ 4 Output) High-Side MOSFET Switch IC, Fault Reporting, 4 Act-Hi En
TPS2086	4	2.7	5.5	2L, 2H	80	0.08			0 to 85	SOIC	2.15	0.7A, 2.7 to 5.5V Quad (4 In/4 Out) High-Side MOSFET Switch IC, Fault Report, 2 Act-Hi, 2 Act-Lo En
TPS2087	4	2.7	5.5	4L	80	0.08			0 to 85	SOIC	2.15	0.7A, 2.7 to 5.5V Quad (4 Input/ 4 Output) High-Side MOSFET Switch IC, Fault Reporting, 4 Act-Low En
TPS2090	2	2.7	5.5	2H	80	0.08			0 to 85	SOIC	1.11	0.3A, 2.7 to 5.5V Dual (2 Input/ 2 Output) High-Side MOSFET Switch IC, Fault Reporting, 2 Act-Hi En
TPS2091	2	2.7	5.5	1L, 1H	80	0.08			0 to 85	SOIC	1.11	0.3A, 2.7 to 5.5V Dual (2 In/2 Out) High-Side MOSFET Switch IC, Fault Report, 1 Act-Hi, 1 Act-Lo En
TPS2092	2	2.7	5.5	2L	80	0.08			0 to 85	SOIC	1.11	0.3A, 2.7 to 5.5V Dual (2 Input/ 2 Output) High-Side MOSFET Switch IC, Fault Reporting, 2 Act-Lo En
TPS2095	4	2.7	5.5	4H	80	0.08			0 to 85	SOIC	2.15	0.3A, 2.7 to 5.5V Quad (4 Input/ 4 Output) High-Side MOSFET Switch IC, Fault Reporting, 4 Act-Hi En
TPS2096	4	2.7	5.5	2L, 2H	80	0.08			0 to 85	SOIC	2.15	0.3A, 2.7 to 5.5V Quad (4 In/4 Out) High-Side MOSFET Switch IC, Fault Report, 2 Act-Hi, 2 Act-Lo En

\*Budgetary price per unit in U.S. dollars, lots of 1,000+

Preview devices announced but not yet in production appear in **BOLD**.

■ Power Distribution Devices—Power MUXes (Continued)

Device Name	Number of Inputs	IN1, IN2 Input Voltage		Enable	IN1 $r_{DS(on)}$ (typ) (m $\Omega$ )	IN2 $r_{DS(on)}$ (typ) (m $\Omega$ )	IN1 Output Current (max) (A)	IN2 Output Current (max) (A)	Ambient Temp Range (°C)	Package	Price*	Description
		(min) (V)	(max) (V)									
TPS2097	4	2.7	5.5	4L	80	0.08			0 to 85	SOIC	2.15	0.3A, 2.7 to 5.5V Quad (4 Input/ 4 Output) High-Side MOSFET Switch IC, Fault Reporting, 4 Act-Lo En
TPS2100	2	2.7	4	1L	250	1.3	0.5	0.01	-40 to 70	SOIC,SOT23	0.59	2.7-4V Dual In/Single Out MOSFET, 0.5A Main/0.01A Aux Input, Act-Low Enable, Comm. Temp.
TPS2101	2	2.7	4	1H	250	1.3	0.5	0.01	-40 to 70	SOIC,SOT23	0.59	2.7-4V Dual In/Single Out MOSFET, 0.5A Main/0.01A Aux Input, Act-Hi Enable, Comm. Temp.
TPS2102	2	2.7	4	1L	250	1.3	0.5	0.1	-40 to 70	SOIC,SOT23	0.70	2.7-4V Dual In/Single Out MOSFET, 0.5A Main/0.1A Aux Input, Act-Low Enable, Comm. Temp.
TPS2103	2	2.7	4	1H	250	1.3	0.5	0.1	-40 to 70	SOIC,SOT23	0.70	2.7-4V Dual In/Single Out MOSFET, 0.5A Main/0.1A Aux Input, Act-High Enable, Comm. Temp.
TPS2104	2	2.7	5.5	1L	250	1.3	0.5	0.1	-40 to 85	SOIC,SOT23	0.85	2.7-5.5V Dual In/Single Out MOSFET, 0.5A Main/0.1A Aux Input, Act-Low Enable, Industrial Temp.
TPS2105	2	2.7	5.5	1H	250	1.3	0.5	0.1	-40 to 85	SOIC,SOT23	0.85	2.7-5.5V Dual In/Single Out MOSFET, 0.5A Main/0.1A Aux Input, Act-High Enable, Industrial Temp.

\*Budgetary price per unit in U.S. dollars, lots of 1,000+

Preview devices announced but not yet in production appear in **BOLD**.

## ■ Power Distribution Devices—Current Limited Switches

Device Name	Number of FETs	Enable/Shutdown	Sorted By								Package	Price*	Description
			V <sub>IN</sub> (min) (V)	V <sub>IN</sub> (max) (V)	Current Limit (min) (A)	r <sub>DS(on)</sub> per FET (typ) (mΩ)	I <sub>q</sub> (typ) (μA)	Overcurrent Reporting	Over Temp Reporting				
TPS2010	1	1L	2.7	5.5	0.22	75	73	No	No	SOIC,TSSOP	0.90	0.4A, 2.7 to 5.5V Single High-Side MOSFET Switch IC, No Fault Reporting, Active-Low Enable	
TPS2010A	1	1L	2.7	5.5	0.22	30	73	No	No	HTSSOP,SOIC	0.94	0.4A, 2.7 to 5.5V Single High-Side MOSFET Switch IC, No Fault Reporting, Active-Low Enable	
TPS2020	1	1L	2.7	5.5	0.22	33	73	Yes	Yes	PDIP,SOIC	0.99	0.22A, 2.7-5.5V Single Hot-Swap IC Hi-Side MOSFET, Fault Report, Act-Low Enable	
TPS2030	1	1H	2.7	5.5	0.22	33	73	Yes	Yes	PDIP,SOIC	0.99	0.22A, 2.7-5.5V Single Hot-Swap IC Hi-Side MOSFET, Fault Report, Act-High Enable	
TPS2045A	1	1L	2.7	5.5	0.3	80	80	Yes	Yes	SOIC	0.57	0.345A, 2.7-5.5V Single Hi-Side MOSFET, Fault Report, Act-Low Enable	
TPS2046A	2	1L	2.7	5.5	0.3	80	80	Each	Yes	SOIC	0.77	0.345A, 2.7-5.5V Dual (1In/2Out) Hi-Side MOSFET, Fault Report, Act-Low Enable	
TPS2047A	3	1L	2.7	5.5	0.3	80	160	Each	Yes	SOIC	1.07	0.345A, 2.7-5.5V Triple (2In/3Out) Hi-Side MOSFET, Fault Report, Act-Low Enable	
TPS2048A	4	1L	2.7	5.5	0.3	80	160	Each	Yes	SOIC	1.41	0.345A, 2.7-5.5V Quad (2In/ 4Out) Hi-Side MOSFET, Fault Report, Act-Low Enable	
TPS2055A	1	1H	2.7	5.5	0.3	80	80	Yes	Yes	SOIC	0.57	0.345A, 2.7-5.5V Single Hi-Side MOSFET, Fault Report, Act-High Enable	
TPS2056A	2	1H	2.7	5.5	0.3	80	80	Each	Yes	SOIC	0.77	0.345A, 2.7-5.5V Dual (1In/2Out) Hi-Side MOSFET, Fault Report, Act-High Enable	
TPS2057A	3	1H	2.7	5.5	0.3	80	160	Each	Yes	SOIC	1.07	0.345A, 2.7-5.5V Triple (2In/3Out) Hi-Side MOSFET, Fault Report, Act-High Enable	
TPS2058A	4	1H	2.7	5.5	0.3	80	160	Each	Yes	SOIC	1.41	0.345A, 2.7-5.5V Quad (2In/4Out) Hi-Side MOSFET, Fault Report, Act-High Enable	
TPS2090	2	2H	2.7	5.5	0.3	80	85	Yes	Yes	SOIC	1.11	0.3A, 2.7 to 5.5V Dual (2In/2Out) High-Side MOSFET Switch IC, Fault Report, 2 Act-Hi En	
TPS2091	2	1L, 1H	2.7	5.5	0.3	80	85	Yes	Yes	SOIC	1.11	0.3A, 2.7 to 5.5V Dual (2In/2Out) High-Side MOSFET Sw IC, Fault Report, 1 Act-Hi, 1 Act-Lo En	
TPS2092	2	2L	2.7	5.5	0.3	80	85	Yes	Yes	SOIC	1.11	0.3A, 2.7 to 5.5V Dual (2In/2Out) High-Side MOSFET Switch IC, Fault Report, 2 Act-Lo En	
TPS2095	4	4H	2.7	5.5	0.3	80	85	Yes	Yes	SOIC	2.15	0.3A, 2.7 to 5.5V Quad (4In/4Out)High-Side MOSFET Switch IC, Fault Report, 4 Act-Hi En	
TPS2096	4	2L, 2H	2.7	5.5	0.3	80	85	Yes	Yes	SOIC	2.15	0.3A, 2.7 to 5.5V Quad (4In/4Out) High-Side MOSFET Sw IC, ault Report, 2 Act-Hi, 2 Act-Lo En	
TPS2097	4	4L	2.7	5.5	0.3	80	85	Yes	Yes	SOIC	2.15	0.3A, 2.7 to 5.5V Quad (4In/4Out) High-Side MOSFET Switch IC, Fault Reporting, 4 Act-Lo En	
TPS2045	1	1L	2.7	5.5	0.345	80	80	Yes	Yes	PDIP,SOIC	0.99	0.345A, 2.7-5.5V Single Hi-Side MOSFET, Fault Report, Act-Low Enable	
TPS2046	2	1L	2.7	5.5	0.345	80	80	Each	Yes	PDIP,SOIC	1.16	0.345A, 2.7-5.5V Dual (1In/2Out) Hi-Side MOSFET, Fault Report, Act-Low Enable	
TPS2047	3	1L	2.7	5.5	0.345	80	160	Each	Yes	SOIC	1.56	0.345A, 2.7-5.5V Triple (2In/3Out) Hi-Side MOSFET, Fault Report, Act-Low Enable	
TPS2048	4	1L	2.7	5.5	0.345	80	160	Each	Yes	SOIC	1.98	0.345A, 2.7-5.5V Quad (2In/ 4Out) Hi-Side MOSFET, Fault Report, Act-Low Enable	
TPS2055	1	1H	2.7	5.5	0.345	80	80	Yes	Yes	PDIP,SOIC	0.99	0.345A, 2.7-5.5V Single Hi-Side MOSFET, Fault Report, Act-High Enable	
TPS2056	2	1H	2.7	5.5	0.345	80	80	Each	Yes	PDIP,SOIC	1.16	0.345A, 2.7-5.5V Dual (1In/2Out) Hi-Side MOSFET, Fault Report, Act-High Enable	
TPS2057	3	1H	2.7	5.5	0.345	80	160	Each	Yes	SOIC	1.56	0.345A, 2.7-5.5V Triple (2In/3Out) Hi-Side MOSFET, Fault Report, Act-High Enable	
TPS2058	4	1H	2.7	5.5	0.345	80	160	Each	Yes	SOIC	1.98	0.345A, 2.7-5.5V Quad (2In/4Out) Hi-Side MOSFET, Fault Report, Act-High Enable	
TPS2011	1	1L	2.7	5.5	0.66	75	73	No	No	SOIC,TSSOP	0.90	1.2A, 2.7 to 5.5V Single High-Side MOSFET Switch IC, No Fault Reporting, Active-Low Enable	
TPS2011A	1	1L	2.7	5.5	0.66	30	73	No	No	HTSSOP,SOIC	0.94	1.2A, 2.7 to 5.5V Single High-Side MOSFET Switch IC, No Fault Reporting, Active-Low Enable	
TPS2014	1	1L	4	5.5	0.66	75	73	Yes	No	PDIP,SOIC	1.98	0.66A, 4-5.5V Single Hi-Side MOSFET, Fault Report, Act-Low Enable	
TPS2021	1	1L	2.7	5.5	0.66	33	73	Yes	Yes	PDIP,SOIC	0.99	0.66A, 2.7-5.5V Single Hot-Swap IC Hi-Side MOSFET, Fault Report, Act-Low Enable	
TPS2031	1	1H	2.7	5.5	0.66	33	73	Yes	Yes	PDIP,SOIC	0.99	0.66A, 2.7-5.5V Single Hot-Swap IC Hi-Side MOSFET, Fault Report, Act-High Enable	
TPS2041	1	1L	2.7	5.5	0.7	80	80	Yes	Yes	PDIP,SOIC	0.99	0.7A, 2.7-5.5V Single Hi-Side MOSFET, Fault Report, Act-Low Enable	
TPS2041A	1	1L	2.7	5.5	0.7	80	80	Yes	Yes	SOIC	0.58	0.7A, 2.7-5.5V Single Hi-Side MOSFET, Fault Report, Act-Low Enable	
TPS2042	2	1L	2.7	5.5	0.7	80	80	Each	Yes	PDIP,SOIC	1.16	0.7A, 2.7-5.5V Dual (1In/2Out) Hi-Side MOSFET, Fault Report, Act-Low Enable	
TPS2042A	2	1L	2.7	5.5	0.7	80	80	Each	Yes	SOIC	0.77	0.7A, 2.7-5.5V Dual (1In/2Out) Hi-Side MOSFET, Fault Report, Act-Low Enable	

\*Budgetary price per unit in U.S. dollars, lots of 1,000+

Preview devices announced but not yet in production appear in **BOLD**.

■ Power Distribution Devices—Current Limited Switches (Continued)

Device Name	Number of FETs	Enable/Shutdown	Sorted By							Overcurrent Reporting	Over Temp Reporting	Package	Price*	Description
			V <sub>IN</sub> (min) (V)	V <sub>IN</sub> (max) (V)	Current Limit (min) (A)	r <sub>DS(on)</sub> per FET (typ) (mΩ)	I <sub>q</sub> (typ) (μA)							
TPS2043	3	1L	2.7	5.5	0.7	80	160	Each	Yes	SOIC	1.56	0.7A, 2.7-5.5V Triple (2In/3Out) Hi-Side MOSFET, Fault Report, Act-Low Enable		
TPS2043A	3	1L	2.7	5.5	0.7	80	160	Each	Yes	SOIC	1.08	0.7A, 2.7-5.5V Triple (2In/3Out) Hi-Side MOSFET, Fault Report, Act-Low Enable		
TPS2044	4	1L	2.7	5.5	0.7	80	160	Each	Yes	SOIC	1.98	0.7A, 2.7-5.5V Quad (2In/4Out) Hi-Side MOSFET, Fault Report, Act-Low Enable		
TPS2044A	4	1L	2.7	5.5	0.7	80	160	Each	Yes	SOIC	1.41	0.7A, 2.7-5.5V Quad (2In/4Out) Hi-Side MOSFET, Fault Report, Act-Low Enable		
TPS2051	1	1H	2.7	5.5	0.7	80	80	Yes	Yes	PDIP,SOIC	0.99	0.7A, 2.7-5.5V Single Hi-Side MOSFET, Fault Report, Act-High Enable		
TPS2051A	1	1H	2.7	5.5	0.7	80	80	Yes	Yes	SOIC	0.57	0.7A, 2.7-5.5V Single Hi-Side MOSFET, Fault Report, Act-High Enable		
TPS2052	2	1H	2.7	5.5	0.7	80	80	Each	Yes	PDIP,SOIC	1.16	0.7A, 2.7-5.5V Dual (1In/ 2Out) Hi-Side MOSFET, Fault Report, Act-High Enable		
TPS2052A	2	1H	2.7	5.5	0.7	80	80	Each	Yes	SOIC	0.77	0.7A, 2.7-5.5V Dual (1In/ 2Out) Hi-Side MOSFET, Fault Report, Act-High Enable		
TPS2053	3	1H	2.7	5.5	0.7	80	160	Each	Yes	SOIC	1.56	0.7A, 2.7-5.5V Triple (2In/3Out) Hi-Side MOSFET, Fault Report, Act-High Enable		
TPS2053A	3	1H	2.7	5.5	0.7	80	160	Each	Yes	SOIC	1.07	0.7A, 2.7-5.5V Triple (2In/3Out) Hi-Side MOSFET, Fault Report, Act-High Enable		
TPS2054	4	1H	2.7	5.5	0.7	80	160	Each	Yes	SOIC	1.98	0.7A, 2.7-5.5V Quad (2In/4Out) Hi-Side MOSFET, Fault Report, Act-High Enable		
TPS2054A	4	1H	2.7	5.5	0.7	80	160	Each	Yes	SOIC	1.41	0.7A, 2.7-5.5V Quad (2In/4Out) Hi-Side MOSFET, Fault Report, Act-High Enable		
TPS2080	2	2H	2.7	5.5	0.7	80	85	Yes	Yes	SOIC	1.11	0.7A, 2.7 to 5.5V Dual (2In/2Out) High-Side MOSFET Switch IC, Fault Reporting, 2 Act-Hi En		
TPS2081	2	1L, 1H	2.7	5.5	0.7	80	85	Yes	Yes	SOIC	1.11	0.7A, 2.7 to 5.5V Dual (2In/2Out) High-Side MOSFET Sw IC, Fault Report, 1 Act-High, 1 Act-Low		
TPS2082	2	2L	2.7	5.5	0.7	80	85	Yes	Yes	SOIC	1.11	0.7A, 2.7 to 5.5V Dual (2In/2Out) High-Side MOSFET Switch IC, Fault Reporting, 2 Act-Lo En		
TPS2085	4	4H	2.7	5.5	0.7	80	85	Yes	Yes	SOIC	2.15	0.7A, 2.7 to 5.5V Quad (4In/4Out) High-Side MOSFET Switch IC, Fault Reporting, 4 Act-Hi En		
TPS2086	4	2L, 2H	2.7	5.5	0.7	80	85	Yes	Yes	SOIC	2.15	0.7A, 2.7 to 5.5V Quad (4In/4Out) High-Side MOSFET Sw IC, Fault Report, 2 Act-Hi, 2 Act-Lo En		
TPS2087	4	4L	2.7	5.5	0.7	80	85	Yes	Yes	SOIC	2.15	0.7A, 2.7 to 5.5V Quad (4In/4Out) High-Side MOSFET Switch IC, Fault Reporting, 4 Act-Low En		
TPS2012	1	1L	2.7	5.5	1.1	75	73	No	No	SOIC,TSSOP	0.90	2.0A, 2.7 to 5.5V Single High-Side MOSFET Switch IC, No Fault Reporting, Active-Low Enable		
TPS2012A	1	1L	2.7	5.5	1.1	30	73	No	No	HTSSOP,SOIC	0.94	2.0A, 2.7 to 5.5V Single High-Side MOSFET Switch IC, No Fault Reporting, Active-Low Enable		
TPS2015	1	1L	4	5.5	1.1	75	73	Yes	No	PDIP,SOIC	1.98	1.1A, 4-5.5V Single Hi-Side MOSFET, Fault Report, Act-Low Enable		
TPS2022	1	1L	2.7	5.5	1.1	33	73	Yes	Yes	PDIP,SOIC	0.99	1.1A, 2.7-5.5V Single Hot-Swap IC Hi-Side MOSFET, Fault Report, Act-Low Enable		
TPS2032	1	1H	2.7	5.5	1.1	33	73	Yes	Yes	PDIP,SOIC	0.99	1.1A, 2.7-5.5V Single Hot-Swap IC High-Side MOSFET, Fault Report, Act-High Enable		
TPS2013	1	1L	2.7	5.5	1.65	75	73	No	No	SOIC,TSSOP	0.90	2.6A, 2.7 to 5.5V Single High-Side MOSFET Switch IC, No Fault Reporting, Active-Low Enable		
TPS2013A	1	1L	2.7	5.5	1.65	30	73	No	No	HTSSOP,SOIC	0.94	2.6A, 2.7 to 5.5V Single High-Side MOSFET Switch IC, No Fault Reporting, Active-Low Enable		
TPS2023	1	1L	2.7	5.5	1.65	33	73	Yes	Yes	PDIP,SOIC	0.99	1.65A, 2.7-5.5V Single Hot-Swap IC Hi-Side MOSFET, Fault Report, Act-Low Enable		
TPS2033	1	1H	2.7	5.5	1.65	33	73	Yes	Yes	PDIP,SOIC	0.99	1.65A, 2.7-5.5V Single Hot-Swap IC Hi-Side MOSFET, Fault Report, Act-High Enable		
TPS2024	1	1L	2.7	5.5	2.2	33	73	Yes	Yes	PDIP,SOIC	0.99	2.2A, 2.7-5.5V Single Hot-Swap IC Hi-Side MOSFET, Fault Report, Act-Low Enable		
TPS2034	1	1H	2.7	5.5	2.2	33	73	Yes	Yes	PDIP,SOIC	0.99	2.2A, 2.7-5.5V Single Hot-Swap IC Hi-Side MOSFET, Fault Report, Act-High Enable		

\*Budgetary price per unit in U.S. dollars, lots of 1,000+

Preview devices announced but not yet in production appear in **BOLD**.

■ Power Distribution Devices—USB Power Controllers

Device Name	Sorted By		Bus Power Indicator (BPMODE)	VIN (min) (V)	VIN (max) (V)	rDS(on) per FET, Bus Power (typ) (mΩ)	Switch Current Limit, Bus Power (min) (A)	rDS(on) per FET, Self Power (typ) (mΩ)	Switch Current Limit, Self Power (min) (A)	5-V LDO Controller	LDO Output Range (V)	LDO Output Current (mA)	Package	Price*	Description
	Number of FETs	Switch Enable													
TPS2140	1	L		2.7	5.5	40	0.8			No	Adj 0.9 to 3.3	250	HTSSOP	1.05	Adj LDO Plus 3.3V Switch with Dual Current Limit for High Power USB Peripherals
TPS2141	1	L		4.1	5.5	40	0.8			No	Adj 0.9 to 3.3	250	HTSSOP	1.05	Adj LDO Plus 5V Switch with Dual Current Limit for High Power USB Peripherals
TPS2150	1	H		2.7	5.5	40	0.8			No	Adj 0.9 to 3.3	250	HTSSOP	1.05	Adj LDO Plus 3.3V Switch with Dual Current Limit for High Power USB Peripherals
TPS2151	1	H		4.1	5.5	40	0.8			No	Adj 0.9 to 3.3	250	HTSSOP	1.05	Adj LDO Plus 5V Switch with Dual Current Limit for High Power USB Peripherals
TPS2145	2	L		2.9	5.5	340	0.2			No	3.3	200	HTSSOP	1.10	Adj LDO + Dual Switch For USB, DSP, And Port Applications, Active-Low Enables
TPS2147	2	L		2.9	5.5	340	0.2			No	3.3	200	MSOP	1.01	3.3V LDO + Dual Switch For USB, DSP, And Port Applications, Active-Low Enables
TPS2148	2	L		2.9	5.5	340	0.2			No	3.3	200	MSOP	0.94	3.3V LDO + Dual Switch For USB Peripherals, Active-Low Enables
TPS2149	2	L		2.9	5.5	340	0.2			No	3.3	200	MSOP	0.87	3.3V LDO + Dual Switch For USB Hubs, Active-Low Enables
TPS2155	2	H		2.9	5.5	340	0.2			No	3.3	200	HTSSOP	1.10	Adj LDO + Dual Switch For USB, DSP, And Port Applications, Active-High Enables
TPS2157	2	H		2.9	5.5	340	0.2			No	3.3	200	MSOP	1.01	3.3V LDO + Dual Switch For USB, DSP, And Port Applications, Active-High Enables
TPS2158	2	H		2.9	5.5	340	0.2			No	3.3	200	MSOP	0.94	3.3V LDO + Dual Switch For USB Peripherals, Active-High Enables
TPS2159	2	H		2.9	5.5	340	0.2			No	3.3	200	MSOP	0.87	3.3V LDO + Dual Switch For USB Hubs, Active-High Enables
TPS2070	8	L	L	4.5	5.5	560	0.12	107	0.6	Yes	3.3	100	HTSSOP	2.99	Pwr Controller for Bus/Self Pwr Hub w/ 5V LDO Control, 3.3V LDO, 8 pwr switches Act-Lo BPMODE Ind
TPS2071	8	L	H	4.5	5.5	560	0.12	107	0.6	Yes	3.3	100	HTSSOP	2.99	Pwr Controller for Bus/Self Pwr Hub w/ 5V LDO Control, 3.3V LDO, 8 pwr switches Act-Hi BPMODE Ind
TPS2074	8	L	L	4.5	5.5	500	0.12	100	0.6	No	3.3	100	SSOP	2.43	Pwr Controller for Bus/Self Pwr USB Hub with 3.3V LDO, 8 pwr switches, Act-Low BPMODE Indicator
TPS2075	8	L	H	4.5	5.5	500	0.12	100	0.6	No	3.3	100	SSOP	2.43	Pwr Controller for Bus/Self Pwr USB Hub with 3.3V LDO, 8 pwr switches, Act-High BPMODE Indicator

\*Budgetary price per unit in U.S. dollars, lots of 1,000+

Preview devices announced but not yet in production appear in **BOLD**.

- Product Overview
- Amplifiers & Comparators
- Audio Products
- Clocks & Timers
- Control & Monitoring
- Data Converters
- Interface Products
- Micro-controllers
- Power Management
- RF Products
- Wireless & Telecom
- Video & Imaging
- Product Index

Power Distribution Devices—USB Power Switches

Device Name	Sorted By												Package	Price*	Description
	Number of FETs	Enable/Shutdown	V <sub>IN</sub> (min) (V)	V <sub>IN</sub> (max) (V)	Current Limit (min) (A)	r <sub>DS(on)</sub> per FET (typ) (mΩ)	I <sub>q</sub> (typ) (μA)	Overcurrent Reporting	Over Temp Reporting	Nemko Compliant	UL-Recognized				
TPS2014	1	1L	4	5.5	0.66	75	73	Yes	No	No	No	PDIP,SOIC	1.98	0.66A, 4-5.5V Single Hi-Side MOSFET, Fault Report, Act-Low Enable	
TPS2015	1	1L	4	5.5	1.1	75	73	Yes	No	No	No	PDIP,SOIC	1.98	1.1A, 4-5.5V Single Hi-Side MOSFET, Fault Report, Act-Low Enable	
TPS2020	1	1L	2.7	5.5	0.22	33	73	Yes	Yes	Yes	No	PDIP,SOIC	0.99	0.22A, 2.7-5.5V Single Hot-Swap IC Hi-Side MOSFET, Fault Report, Act-Low Enable	
TPS2021	1	1L	2.7	5.5	0.66	33	73	Yes	Yes	Yes	No	PDIP,SOIC	0.99	0.66A, 2.7-5.5V Single Hot-Swap IC Hi-Side MOSFET, Fault Report, Act-Low Enable	
TPS2022	1	1L	2.7	5.5	1.1	33	73	Yes	Yes	Yes	No	PDIP,SOIC	0.99	1.1A, 2.7-5.5V Single Hot-Swap IC Hi-Side MOSFET, Fault Report, Act-Low Enable	
TPS2023	1	1L	2.7	5.5	1.65	33	73	Yes	Yes	No	No	PDIP,SOIC	0.99	1.65A, 2.7-5.5V Single Hot-Swap IC Hi-Side MOSFET, Fault Report, Act-Low Enable	
TPS2024	1	1L	2.7	5.5	2.2	33	73	Yes	Yes	No	No	PDIP,SOIC	0.99	2.2A, 2.7-5.5V Single Hot-Swap IC Hi-Side MOSFET, Fault Report, Act-Low Enable	
TPS2030	1	1H	2.7	5.5	0.22	33	73	Yes	Yes	Yes	No	PDIP,SOIC	0.99	0.22A, 2.7-5.5V Single Hot-Swap IC Hi-Side MOSFET, Fault Report, Act-High Enable	
TPS2031	1	1H	2.7	5.5	0.66	33	73	Yes	Yes	Yes	No	PDIP,SOIC	0.99	0.66A, 2.7-5.5V Single Hot-Swap IC Hi-Side MOSFET, Fault Report, Act-High Enable	
TPS2032	1	1H	2.7	5.5	1.1	33	73	Yes	Yes	Yes	No	PDIP,SOIC	0.99	1.1A, 2.7-5.5V Single Hot-Swap IC High-Side MOSFET, Fault Report, Act-High Enable	
TPS2033	1	1H	2.7	5.5	1.65	33	73	Yes	Yes	No	No	PDIP,SOIC	0.99	1.65A, 2.7-5.5V Single Hot-Swap IC Hi-Side MOSFET, Fault Report, Act-High Enable	
TPS2034	1	1H	2.7	5.5	2.2	33	73	Yes	Yes	No	No	PDIP,SOIC	0.99	2.2A, 2.7-5.5V Single Hot-Swap IC Hi-Side MOSFET, Fault Report, Act-High Enable	
TPS2041	1	1L	2.7	5.5	0.7	80	80	Yes	Yes	Yes	Yes	PDIP,SOIC	0.99	0.7A, 2.7-5.5V Single Hi-Side MOSFET, Fault Report, Act-Low Enable	
TPS2041A	1	1L	2.7	5.5	0.7	80	80	Yes	Yes	Yes	No	SOIC	0.58	0.7A, 2.7-5.5V Single Hi-Side MOSFET, Fault Report, Act-Low Enable	
TPS2045	1	1L	2.7	5.5	0.345	80	80	Yes	Yes	Yes	No	PDIP,SOIC	0.99	0.345A, 2.7-5.5V Single Hi-Side MOSFET, Fault Report, Act-Low Enable	
TPS2045A	1	1L	2.7	5.5	0.3	80	80	Yes	Yes	Yes	No	SOIC	0.57	0.345A, 2.7-5.5V Single Hi-Side MOSFET, Fault Report, Act-Low Enable	
TPS2051	1	1H	2.7	5.5	0.7	80	80	Yes	Yes	Yes	No	PDIP,SOIC	0.99	0.7A, 2.7-5.5V Single Hi-Side MOSFET, Fault Report, Act-High Enable	
TPS2051A	1	1H	2.7	5.5	0.7	80	80	Yes	Yes	Yes	No	SOIC	0.57	0.7A, 2.7-5.5V Single Hi-Side MOSFET, Fault Report, Act-High Enable	
TPS2055	1	1H	2.7	5.5	0.345	80	80	Yes	Yes	Yes	No	PDIP,SOIC	0.99	0.345A, 2.7-5.5V Single Hi-Side MOSFET, Fault Report, Act-High Enable	
TPS2055A	1	1H	2.7	5.5	0.3	80	80	Yes	Yes	Yes	No	SOIC	0.57	0.345A, 2.7-5.5V Single Hi-Side MOSFET, Fault Report, Act-High Enable	
TPS2042	2	1L	2.7	5.5	0.7	80	80	Each	Yes	Yes	Yes	PDIP,SOIC	1.16	0.7A, 2.7-5.5V Dual (1In/2Out) Hi-Side MOSFET, Fault Report, Act-Low Enable	
TPS2042A	2	1L	2.7	5.5	0.7	80	80	Each	Yes	Yes	No	SOIC	0.77	0.7A, 2.7-5.5V Dual (1In/2Out) Hi-Side MOSFET, Fault Report, Act-Low Enable	
TPS2046	2	1L	2.7	5.5	0.345	80	80	Each	Yes	Yes	No	PDIP,SOIC	1.16	0.345A, 2.7-5.5V Dual (1In/2Out) Hi-Side MOSFET, Fault Report, Act-Low Enable	
TPS2046A	2	1L	2.7	5.5	0.3	80	80	Each	Yes	Yes	No	SOIC	0.77	0.345A, 2.7-5.5V Dual (1In/2Out) Hi-Side MOSFET, Fault Report, Act-Low Enable	
TPS2052	2	1H	2.7	5.5	0.7	80	80	Each	Yes	Yes	No	PDIP,SOIC	1.16	0.7A, 2.7-5.5V Dual (1In/ 2Out) Hi-Side MOSFET, Fault Report, Act-High Enable	
TPS2052A	2	1H	2.7	5.5	0.7	80	80	Each	Yes	Yes	No	SOIC	0.77	0.7A, 2.7-5.5V Dual (1In/ 2Out) Hi-Side MOSFET, Fault Report, Act-High Enable	
TPS2056	2	1H	2.7	5.5	0.345	80	80	Each	Yes	Yes	No	PDIP,SOIC	1.16	0.345A, 2.7-5.5V Dual (1In/2Out) Hi-Side MOSFET, Fault Report, Act-High Enable	
TPS2056A	2	1H	2.7	5.5	0.3	80	80	Each	Yes	Yes	No	SOIC	0.77	0.345A, 2.7-5.5V Dual (1In/2Out) Hi-Side MOSFET, Fault Report, Act-High Enable	
TPS2043	3	1L	2.7	5.5	0.7	80	160	Each	Yes	Yes	Yes	SOIC	1.56	0.7A, 2.7-5.5V Triple (2In/3Out) Hi-Side MOSFET, Fault Report, Act-Low Enable	
TPS2043A	3	1L	2.7	5.5	0.7	80	160	Each	Yes	Yes	No	SOIC	1.08	0.7A, 2.7-5.5V Triple (2In/3Out) Hi-Side MOSFET, Fault Report, Act-Low Enable	
TPS2047	3	1L	2.7	5.5	0.345	80	160	Each	Yes	Yes	No	SOIC	1.56	0.345A, 2.7-5.5V Triple (2In/3Out) Hi-Side MOSFET, Fault Report, Act-Low Enable	
TPS2047A	3	1L	2.7	5.5	0.3	80	160	Each	Yes	Yes	No	SOIC	1.07	0.345A, 2.7-5.5V Triple (2In/3Out) Hi-Side MOSFET, Fault Report, Act-Low Enable	

\*Budgetary price per unit in U.S. dollars, lots of 1,000+

Preview devices announced but not yet in production appear in **BOLD**.



### ■ Power Distribution Devices—USB Power Switches (Continued)

Device Name	Sorted By		VIN (min) (V)	VIN (max) (V)	Current Limit (min) (A)	r <sub>DS(on)</sub> per FET (typ) (mΩ)	I <sub>q</sub> (typ) (μA)	Overcurrent Reporting	Over Temp Reporting	Nemko Compliant	UL-Recognized	Package	Price*	Description
	Number of FETs	Enable/Shutdown												
TPS2053	3	1H	2.7	5.5	0.7	80	160	Each	Yes	Yes	No	SOIC	1.56	0.7A, 2.7-5.5V Triple (2In/3Out) Hi-Side MOSFET, Fault Report, Act-High Enable
TPS2053A	3	1H	2.7	5.5	0.7	80	160	Each	Yes	Yes	No	SOIC	1.07	0.7A, 2.7-5.5V Triple (2In/3Out) Hi-Side MOSFET, Fault Report, Act-High Enable
TPS2057	3	1H	2.7	5.5	0.345	80	160	Each	Yes	Yes	No	SOIC	1.56	0.345A, 2.7-5.5V Triple (2In/3Out) Hi-Side MOSFET, Fault Report, Act-High Enable
TPS2057A	3	1H	2.7	5.5	0.3	80	160	Each	Yes	Yes	No	SOIC	1.07	0.345A, 2.7-5.5V Triple (2In/3Out) Hi-Side MOSFET, Fault Report, Act-High Enable
TPS2044	4	1L	2.7	5.5	0.7	80	160	Each	Yes	Yes	Yes	SOIC	1.98	0.7A, 2.7-5.5V Quad (2In/4Out) Hi-Side MOSFET, Fault Report, Act-Low Enable
TPS2044A	4	1L	2.7	5.5	0.7	80	160	Each	Yes	Yes	No	SOIC	1.41	0.7A, 2.7-5.5V Quad (2In/4Out) Hi-Side MOSFET, Fault Report, Act-Low Enable
TPS2048	4	1L	2.7	5.5	0.345	80	160	Each	Yes	Yes	No	SOIC	1.98	0.345A, 2.7-5.5V Quad (2In/4Out) Hi-Side MOSFET, Fault Report, Act-Low Enable
TPS2048A	4	1L	2.7	5.5	0.3	80	160	Each	Yes	Yes	No	SOIC	1.41	0.345A, 2.7-5.5V Quad (2In/4Out) Hi-Side MOSFET, Fault Report, Act-Low Enable
TPS2054	4	1H	2.7	5.5	0.7	80	160	Each	Yes	Yes	No	SOIC	1.98	0.7A, 2.7-5.5V Quad (2 In/4 Out) Hi-Side MOSFET, Fault Report, Act-High Enable
TPS2054A	4	1H	2.7	5.5	0.7	80	160	Each	Yes	Yes	No	SOIC	1.41	0.7A, 2.7-5.5V Quad (2 In/4 Out) Hi-Side MOSFET, Fault Report, Act-High Enable
TPS2058	4	1H	2.7	5.5	0.345	80	160	Each	Yes	Yes	No	SOIC	1.98	0.345A, 2.7-5.5V Quad (2In/4Out) Hi-Side MOSFET, Fault Report, Act-High Enable
TPS2058A	4	1H	2.7	5.5	0.3	80	160	Each	Yes	Yes	No	SOIC	1.41	0.345A, 2.7-5.5V Quad (2In/4Out) Hi-Side MOSFET, Fault Report, Act-High Enable

\*Budgetary price per unit in U.S. dollars, lots of 1,000+

Preview devices announced but not yet in production appear in **BOLD**.

■ Special Functions—Backlight Converters

Device Name	V <sub>IN</sub> (min) (max) (V) (V)		V <sub>ref</sub> Tol (%)	Pin Count	Control Topology	Open Lamp Detect	External Sync	Frequency (max) (kHz)	Shutdown Current (mA)	Supply Current (mA)	Lamp Intensity Control	Soft Start	Package	Price*	Description
UC2871	4.5	20	1.2	18	Push-Pull	Yes	Yes	200	1	15	Yes	Yes	PDIP,PLCC,SOIC	4.93	Resonant Fluorescent Lamp Driver
UC2872	4.5	24	1.2	14	Push-Pull	Yes	Yes	200	1	11	Yes	Yes	PDIP,PLCC,SOIC	3.03	Resonant Lamp Ballast Controller
UC3871	4.5	20	1.2	18	Push-Pull	Yes	Yes	200	1	15	Yes	Yes	PDIP,PLCC,SOIC	3.33	Resonant Fluorescent Lamp Driver
UC3872	4.5	24	1.2	14	Push-Pull	Yes	Yes	200	1	11	Yes	Yes	PDIP,PLCC,SOIC, SSOP	2.43	Resonant Lamp Ballast Controller
UCC2972	4.5	25		8	Push-Pull	Yes	Yes	220	1	1	Yes		PDIP,TSSOP	2.99	BiCMOS Cold Cathode Fluorescent Lamp Driver Controller
UCC2973	4.5	25		8	Push-Pull	Yes	Yes	220	1	1	Yes		TSSOP	2.13	BiCMOS Cold Cathode Fluorescent Lamp Driver Controller
<b>UCC2974</b>	<b>4.5</b>	<b>25</b>		<b>16</b>	<b>Push-Pull</b>	<b>Yes</b>	<b>Yes</b>	<b>220</b>	<b>0.3</b>	<b>2</b>	<b>Yes</b>	<b>Yes</b>	<b>TSSOP</b>	<b>Call</b>	<b>Dual Cold Cathode Fluorescent Lamp Controller</b>
UCC2975	3	13.5		8	Flyback	Yes	No	100	0.02	1	Yes	Yes	TSSOP	1.85	Multi-topology Piezoelectric Transformer Controller
UCC2976	3	13.5		8	Half-Bridge	Yes	No	100	0.02	1	Yes	Yes	TSSOP	1.85	Multi-topology Piezoelectric Transformer Controller
UCC2977	3	13.5		8	Push-Pull	Yes	No	100	0.02	1	Yes		TSSOP	1.85	Multi-Topology Piezoelectric Transformer Controller
UCC3972	4.5	25		8	Push-Pull	Yes	Yes	220	1	1	Yes		PDIP,TSSOP	1.63	BiCMOS Cold Cathode Fluorescent Lamp Driver Controller
UCC3973	4.5	25		8	Push-Pull	Yes	Yes	220	1	1	Yes		PDIP,TSSOP	1.63	BiCMOS Cold Cathode Fluorescent Lamp Driver Controller
UCC3974	4.5	25		16	Push-Pull	Yes	Yes	220	0.3	2	Yes	Yes	TSSOP	2.00	Dual Cold Cathode Fluorescent Lamp Controller
UCC3975	3	13.5		8	Flyback	Yes	No	100	0.02	1	Yes	Yes	TSSOP	1.60	Multi-Topology Piezoelectric Transformer Controller
UCC3976	3	13.5		8	Half-Bridge	Yes	No	100	0.02	1	Yes	Yes	TSSOP	1.60	Multi-Topology Piezoelectric Transformer Controller
UCC3977	3	13.5		8	Push-Pull	Yes	No	100	0.02	1	Yes		TSSOP	1.60	Multi-Topology Piezoelectric Transformer Controller

■ Special Functions—Telecom Ringers

Device Name	Multiple Line Operation	Single Line Operation	Closed Loop Control	Off- Hook Detect	Isolated with Secondary			Pin Count	Operating Supply (min) (max) (V) (V)		Operating Supply Current (mA)	Package	Price*	Description
<b>12-V Ringer Input Voltage</b>														
UCC2752	Yes	No	No	Yes	No	Yes	16	10	13.2	5	PDIP,SOIC	4.13	Resonant Ring Generator Controller	
UCC3751	No	Yes	No	Yes	No	Yes	16	10	13.2	5	PDIP,SOIC	3.32	Single Line Ring Generator Controller	
UCC3752	Yes	No	No	Yes	No	Yes	16	10	13.2	5	PDIP,SOIC	3.32	Resonant Ring Generator Controller	
<b>48-V Ringer Input Voltage</b>														
UCC2750	Yes	No	Yes	Yes	Yes	No	28	4.5	5.5	0.5	SOIC	9.71	Source Ringer Controller	
UCC3750	Yes	No	Yes	Yes	Yes	No	28	4.5	5.5	0.5	PDIP,SOIC	7.07	Source Ringer Controller	

\*Budgetary price per unit in U.S. dollars, lots of 1,000+

Preview devices announced but not yet in production appear in **BOLD**.

■ Special Functions—Motion/Motor Control

Device Name	Brushless DC Motor Control	DC Motor Control	Linear Power Amplifiers	Stepper Motor Controllers	Pin Count	Operating Supply (min) (V)	Operating Supply (max) (V)	Peak Output Current (A)	Operating Supply Current (mA)	Current Limit	Differential Current Sense Amplifier	Output Clamp Diodes	Thermal Shutdown	Tachometer	Linear Control	Switching Control	Package	Price*	Description
UCC2626	Yes	No	No	No	28	11	14.5	0.1	3	Yes	Yes	No	No	Yes	No	Yes	PDIP,SOIC,TSSOP	8.24	Brushless DC Motor Controller
UCC3626	Yes	No	No	No	28	11	14.5	0.1	3	Yes	Yes	No	No	Yes	No	Yes	PDIP,SOIC,TSSOP	5.81	Brushless DC Motor Controller
UC1637	No	Yes	No	No	18	5	36	0.4	8.5	Yes	No	No	No	No	No	Yes	CDIP,LCCC	14.86	Switched Mode Controller for DC Motor Drive
UC2637	No	Yes	No	No	18	5	36	0.4	8.5	Yes	No	No	No	No	Yes	Yes	CDIP,PDIP,PLCC,SOIC	3.44	Switched Mode Controller for DC Motor Drive
UC2638	No	Yes	No	No	20	10	36	0.4	15	Yes	Yes	No	No	No	Yes	Yes	PDIP,SOIC	3.64	Advanced PWM Motor Controller
UC3637	No	Yes	No	No	18	5	36	0.4	8.5	Yes	No	No	No	No	Yes	Yes	CDIP,PDIP,PLCC,SOIC	3.03	Switched Mode Controller for DC Motor Drive
UC3638	No	Yes	No	No	20	10	36	0.4	15	Yes	Yes	No	No	No	Yes	Yes	PDIP,PLCC,SOIC	3.11	Advanced PWM Motor Controller
UC3178	No	No	Yes	No	28	3	15	0.45	18	Yes	Yes	Yes	Yes	No	Yes	No	PLCC	2.94	Full Bridge Power Amp
UC2625	Yes	No	No	No	28	10	18	0.5	14.5	Yes	Yes	No	No	Yes	No	Yes	PDIP,PLCC,SOIC	5.05	Brushless DC Motor Controller
UC3625	Yes	No	No	No	28	10	18	0.5	14.5	Yes	Yes	No	No	Yes	No	Yes	PDIP,PLCC,SOIC	4.65	Brushless DC Motor Controller
UC3717A	No	No	No	Yes	16	10	46	1	7	Yes	No	Yes	Yes	No	No	Yes	PDIP,PLCC	3.07	Stepper Motor Drive Circuit
UC3770A	No	No	No	Yes	16	10	45	1.5	33	Yes	No	Yes	Yes	No	No	Yes	PDIP,PLCC	2.48	High Performance Stepper Motor Drive Circuit
UC3770B	No	No	No	Yes	16	10	45	1.5	33	Yes	No	Yes	Yes	No	No	Yes	PDIP	2.50	High Performance Stepper Motor Drive Circuit
UC3176	No	No	Yes	No	28	3	35	2	18	Yes	Yes	Yes	Yes	No	Yes	No	PLCC	6.01	Full Bridge Power Amp

\*Budgetary price per unit in U.S. dollars, lots of 1,000+

Preview devices announced but not yet in production appear in **BOLD**.



■ Special Functions—NVS RAM

Device Name	Supply Voltage (V)	Memory Density (Kb)	Number of SRAM Banks Controlled	Reset Output	Package	Price*	Description
BQ4010	5	64			DIP Module	7.75	8Kx8 Nonvolatile SRAM, 5% Voltage Tolerance
BQ4010Y	5	64			DIP Module	7.75	8Kx8 Nonvolatile SRAM, 10% Voltage Tolerance
BQ4011	5	256			DIP Module	8.85	32Kx8 Nonvolatile SRAM, 5% Voltage Tolerance
BQ4011Y	5	256			DIP Module	8.85	32Kx8 Nonvolatile SRAM, 10% Voltage Tolerance
BQ4013	5	1024			DIP Module	10.66	128Kx8 Nonvolatile SRAM, 5% Voltage Tolerance
BQ4013Y	5	1024			DIP Module	10.66	128Kx8 Nonvolatile SRAM, 10% Voltage Tolerance
BQ4014	5	2048			DIP Module	29.01	256Kx8 Nonvolatile SRAM, 5% Voltage Tolerance
BQ4014Y	5	2048			DIP Module	29.01	256Kx8 Nonvolatile SRAM, 10% Voltage Tolerance
BQ4015	5	4096			DIP Module	31.01	512Kx8 Nonvolatile SRAM, 5% Voltage Tolerance
BQ4015Y	5	4096			DIP Module	31.01	512Kx8 Nonvolatile SRAM, 10% Voltage Tolerance
BQ4016	5	8192			DIP Module	36.50	1024Kx8 Nonvolatile SRAM, 5% Voltage Tolerance
BQ4016Y	5	8192			DIP Module	36.50	1024Kx8 Nonvolatile SRAM, 10% Voltage Tolerance
BQ4017	5	16384			DIP Module	65.50	2048Kx8 Nonvolatile SRAM, 5% Voltage Tolerance
BQ4017Y	5	16384			DIP Module	120.10	2048Kx8 Nonvolatile SRAM, 10% Voltage Tolerance
BQ2201	5		1	No	PDIP,SOIC	1.75	SRAM Nonvolatile Controller IC for 1 SRAM Bank
BQ2204A	5		4	No	PDIP,SOIC	2.16	SRAM Nonvolatile Controller IC for 4 SRAM Banks

■ Special Functions—Lighting Controllers

Device Name	Control Topology	V <sub>IN</sub> Range (typ) (V)	V <sub>ref</sub> Tol (%)	Open Lamp Detect	Soft Start	External Sync	Frequency (max) (kHz)	Lamp Intensity Control	Package	Price*	Description
UCC2305	Boost, Flyback	5 to 18	2	Yes	Yes	Yes	200	Yes	PDIP,SOIC	5.60	HID Lamp Controller
UCC3305	Boost, Flyback	5 to 18	2	Yes	Yes	Yes	200	Yes	PDIP,SOIC	4.66	HID Lamp Controller

■ Wireless Power Management

Device Name	Primary Battery Charger	Backup Battery Charger	Number of Integrated LDO Regulators	System Reset Controller	Real-Time Clock	Pin Count	V <sub>CC</sub>		Package	Price*	Description
							(min) (V)	(max) (V)			
TPS9103						20	2.7	5.5	TSSOP	1.79	Integrated GaAs Power Supply And Protection
TPS9104			3	No	Yes	48	3	10	LQFP	3.76	Integrated Wireless Comm Power Supply And Audio
TPS9125						14	2.7	3.3	TSSOP	1.00	SIM Supply and Level Shifter
TWL2214CA	Yes	No	6	No	Yes	48			TQFP	4.15	Power Supply Management IC and Li-Ion Battery Charge Control

\*Budgetary price per unit in U.S. dollars, lots of 1,000+

Preview devices announced but not yet in production appear in **BOLD**.

### ■ Supervisory Circuits—Power Supply Supervisors

Device Name	Reset Active High	Sorted By		$V_t$ (V)	$V_{IN}$ (min) (V)	Over-Voltage Sense	WDI	Power Fail	Package	Price*	Description
		$V_{CC}$ (nom) (V)	$I_{CC}$ (max) ( $\mu$ A)								
TPS3510	No	5	1000	3.5	4	Yes	No	Yes	PDIP,SOIC	0.52	3-Channel Supervisor for Switch-Mode Power Supplies
TPS3513	No	5	1000	3.5	4.5	Yes	No	Yes	PDIP,SOIC	0.78	3-Channel Supervisor with Over-Current Detect For Switch-Mode Power Sup
<b>TPS3514</b>	<b>No</b>	<b>5</b>	<b>1000</b>	<b>3.5</b>	<b>4</b>	<b>Yes</b>	<b>No</b>	<b>Yes</b>	<b>SOIC</b>	<b>Call</b>	<b>3 Ch Supervisor with Over Current Detect for Switchmode Power Supplies</b>
UC2904	Yes	20	4500	2.5	0.8	Yes	No	No	PDIP,PLCC,SOIC	2.55	Precision Quad Supply and Line Monitor
UC3904	Yes	20	4500	2.5	0.8	Yes	No	No	PDIP,SOIC	2.18	Precision Quad Supply and Line Monitor
UC1903	No	40	18000	2.5	3	Yes	No	Yes	CDIP,LCCC	27.59	Quad Supply and Line Monitor
UC2903	No	40	18000	2.5	3	Yes	No	Yes	CDIP,PDIP,PLCC,SOIC	2.36	Quad Supply and Line Monitor
UC3903	No	40	18000	2.5	3	Yes	No	Yes	CDIP,PDIP,PLCC,SOIC	2.00	Quad Supply and Line Monitor

### ■ Supervisory Circuits—Basic Supervisors

Device Name	Reset Active High	Sorted By		$V_t$ (V)	$V_{IN}$ (min) (V)	Over-Voltage Sense	WDI	Power Fail	Package	Price*	Description
		$V_{CC}$ (nom) (V)	$I_{CC}$ (max) ( $\mu$ A)								
TPS3801-01	No	1.14	12	1.14	1.6	No	No	No	SC70	0.47	Ultra-Small Supply Voltage Supervisors
TPS3123J12	No	1.2	30	1.08	0.75	No	Yes	No	SOT23	0.79	Ultra-Low Voltage Processor Supervisory Circuit
TPS3124J12	Yes	1.2	30	1.08	0.75	No	Yes	No	SOT23	0.79	Ultra-Low Voltage Processor Supervisory Circuit
TPS3125J12	Yes	1.2	30	1.08	0.75	No	No	No	SOT23	0.73	Ultra-Low Voltage Processor Supervisory Circuit
TPS3803G15	No	1.5	5	1.4	1.3	No	No	No	SC70	0.47	Single Voltage Detector
TPS3123G15	No	1.5	30	1.4	0.75	No	Yes	No	SOT23	0.79	Ultra-Low Voltage Processor Supervisory Circuit
TPS3124G15	Yes	1.5	30	1.4	0.75	No	Yes	No	SOT23	0.79	Ultra-Low Voltage Processor Supervisory Circuit
TPS3125G15	Yes	1.5	30	1.4	0.75	No	No	No	SOT23	0.73	Ultra-Low Voltage Processor Supervisory Circuit
TPS3306-15	No	1.5	40	1.4	2.7	No	Yes	Yes	MSOP,SOIC	0.99	Dual-Processor Supervisory Circuits with Power-Fail
TPS3836E18	No	1.8	0.45	1.71	1.6	No	No	No	SOT23	0.80	220nA Supervisor with 10ms/200ms selectable delay time
TPS3837E18	Yes	1.8	0.45	1.71	1.6	No	No	No	SOT23	0.80	220nA Supervisor with 10ms/200ms selectable delay time
TPS3838E18	No	1.8	0.45	1.71	1.6	No	No	No	SOT23	0.80	220nA Supervisor with 10ms/200ms selectable delay time
TPS3801E18	No	1.8	18	1.71	1.6	No	No	No	SC70	0.47	Ultra-Small Supply Voltage Supervisors
TPS3123J18	No	1.8	30	1.62	0.75	No	Yes	No	SOT23	0.79	Ultra-Low Voltage Processor Supervisory Circuit
TPS3124J18	Yes	1.8	30	1.62	0.75	No	Yes	No	SOT23	0.79	Ultra-Low Voltage Processor Supervisory Circuit
TPS3125J18	Yes	1.8	30	1.62	0.75	No	No	No	SOT23	0.73	Ultra-Low Voltage Processor Supervisory Circuit
TPS3305-18	Yes	1.8	40	1.68	2.7	No	Yes	No	MSOP,SOIC	0.92	Dual Processor Supervisory Circuits
TPS3306-18	No	1.8	40	1.68	2.7	No	Yes	Yes	MSOP,SOIC	0.99	Dual-Processor Supervisory Circuits with Power-Fail
TPS3307-18	Yes	1.8	40	1.68	2	No	No	No	MSOP,SOIC	0.99	Triple Processor Supervisory Circuits
TPS3806J20	No	2	5	1.8	1.3	No	No	No	SOT23	0.56	Dual Voltage Detector with Adjustable Hysteresis
TPS3306-20	No	2	40	1.85	2.7	No	Yes	Yes	MSOP,SOIC	0.99	Dual-Processor Supervisory Circuits with Power-Fail

\*Budgetary price per unit in U.S. dollars, lots of 1,000+

Preview devices announced but not yet in production appear in **BOLD**.

■ Supervisory Circuits—Basic Supervisors (Continued)

Device Name	Reset Active High	Sorted By		V <sub>t</sub> (V)	V <sub>IN</sub> (min) (V)	Over-Voltage Sense	WDI	Power Fail	Package	Price*	Description
		V <sub>CC</sub> (nom) (V)	I <sub>CC</sub> (max) (μA)								
TPS3836J25	No	2.5	0.45	2.25	1.6	No	No	No	SOT23	0.80	220nA Supervisor with 10ms/200ms selectable delay time
TPS3837J25	Yes	2.5	0.45	2.25	1.6	No	No	No	SOT23	0.80	220nA Supervisor with 10ms/200ms selectable delay time
TPS3838J25	No	2.5	0.45	2.25	1.6	No	No	No	SOT23	0.80	220nA Supervisor with 10ms/200ms selectable delay time
TLC7725	Yes	2.5	16	2.25	1	No	No	No	PDIP,SOIC,TSSOP	0.77	μPower Supply Voltage Supervisor
TPS3801J25	No	2.5	25	2.25	2	No	No	No	SC70	0.47	Processor Supervisory Circuits
TPS3809J25	No	2.5	25	2.25	2	No	No	No	SOT23	0.37	3-Pin Supply Voltage Supervisor
TPS3823-25	No	2.5	25	2.25	1.1	No	Yes	No	SOT23	0.63	Supply Voltage Supervisor w/Watchdog input and manual reset
TPS3824-25	Yes	2.5	25	2.25	1.1	No	Yes	No	SOT23	0.63	Supply Voltage Supervisor w/Watchdog input, RESET, /RESET
TPS3305-25	Yes	2.5	40	2.25	2.7	No	Yes	No	MSOP,SOIC	0.92	Dual Processor Supervisory Circuits
TPS3306-25	No	2.5	40	2.25	2.7	No	Yes	Yes	MSOP,SOIC	0.99	Dual-Processor Supervisory Circuits with Power-Fail
TPS3307-25	Yes	2.5	40	2.25	2	No	No	No	MSOP,SOIC	0.99	Triple Processor Supervisory Circuits
TPS3707-25	Yes	2.5	50	2.25	2	No	No	Yes	MSOP,SOIC	0.74	Processor Supervisory Circuits with Power-Fail
TPS3800G27	No	2.7	18	2.5	1.6	No	No	No	SC70	0.47	Ultra-Small Supply Voltage Supervisors
TL7702A	Yes	2.7	3000	2.53	3.5	No	No	No	PDIP,SOIC	0.50	Single SVS with Pgmable UV Threshold & Reset Time Delay
TL7702B	Yes	2.7	3000	2.53	3.6	No	No	No	PDIP,SOIC	0.73	Single SVS with Pgmable UV Threshold & Reset Time Delay
TPS3836L30	No	3	0.45	2.64	1.6	No	No	No	SOT23	0.80	220nA Supervisor with 10ms/200ms selectable delay time
TPS3837L30	Yes	3	0.45	2.64	1.6	No	No	No	SOT23	0.80	220nA Supervisor with 10ms/200ms selectable delay time
TPS3838L30	No	3	0.45	2.64	1.6	No	No	No	SOT23	0.80	220nA Supervisor with 10ms/200ms selectable delay time
TLC7703	Yes	3	16	2.63	1	No	No	No	PDIP,SOIC,TSSOP	0.78	Single SVS For 3.0V Systems W/Pgmable Time Delay
TPS3801L30	No	3	25	2.64	2	No	No	No	SC70	0.47	Processor Supervisory Circuits
TPS3809L30	No	3	25	2.64	2	No	No	No	SOT23	0.37	3-Pin Supply Voltage Supervisor
TPS3823-30	No	3	25	2.63	1.1	No	Yes	No	SOT23	0.63	Supply Voltage Supervisor w/Watchdog input and manual reset
TPS3824-30	Yes	3	25	2.63	1.1	No	Yes	No	SOT23	0.63	Supply Voltage Supervisor w/Watchdog input, RESET, /RESET
TPS3125L30	Yes	3	30	2.64	0.75	No	No	No	SOT23	0.73	Ultra-Low Voltage Processor Supervisory Circuit
TPS3705-30	No	3	50	2.63	2	No	Yes	Yes	MSOP,SOIC	0.78	Processor Supervisory Circuits with Power-Fail
TPS3707-30	Yes	3	50	2.63	2	No	No	Yes	MSOP,SOIC	0.74	Processor Supervisory Circuits with Power-Fail
TPS3836K33	No	3.3	0.45	2.93	1.6	No	No	No	SOT23	0.80	220nA Supervisor with 10ms/200ms selectable delay time
TPS3837K33	Yes	3.3	0.45	2.93	1.6	No	No	No	SOT23	0.80	220nA Supervisor with 10ms/200ms selectable delay time
TPS3838K33	No	3.3	0.45	2.93	1.6	No	No	No	SOT23	0.80	220nA Supervisor with 10ms/200ms selectable delay time
TPS3805H33	No	3.3	5	3.05	1.3	No	No	No	SC70	0.47	Dual Voltage Detector
TPS3806I33	No	3.3	5	3	1.3	No	No	No	SOT23	0.56	Dual Voltage Detector with Adjustable Hysteresis
TLC7733	Yes	3.3	16	2.93	1	No	No	No	CDIP,LCCC,PDIP,SOIC,TSSOP	0.77	Single SVS For 3.3V Systems W/Pgmable Time Delay
TPS3802K33	No	3.3	18	2.93	1.6	No	No	No	SC70	0.47	Ultra-Small Supply Voltage Supervisors
TPS3801K33	No	3.3	25	2.93	2	No	No	No	SC70	0.47	Processor Supervisory Circuits
TPS3809K33	No	3.3	25	2.93	2	No	No	No	SOT23	0.37	3-Pin Supply Voltage Supervisor
TPS3820-33	No	3.3	25	2.93	1.1	No	Yes	No	SOT23	0.63	Processor Supervisory Circuits
TPS3823-33	No	3.3	25	2.93	1.1	No	Yes	No	SOT23	0.63	Supply Voltage Supervisor w/Watchdog input and manual reset
TPS3824-33	Yes	3.3	25	2.93	1.1	No	Yes	No	SOT23	0.63	Supply Voltage Supervisor w/Watchdog input, RESET, /RESET

\*Budgetary price per unit in U.S. dollars, lots of 1,000+

Preview devices announced but not yet in production appear in **BOLD**.

## ■ Supervisory Circuits—Basic Supervisors (Continued)

Device Name	Reset Active High	Sorted By		V <sub>t</sub> (V)	V <sub>IN</sub> (min) (V)	Over-Voltage Sense	WDI	Power Fail	Package	Price*	Description
		V <sub>CC</sub> (nom) (V)	I <sub>CC</sub> (max) (μA)								
TPS3825-33	Yes	3.3	25	2.93	1.1	No	No	No	SOT23	0.56	Processor Supervisory Circuits
TPS3828-33	No	3.3	25	2.93	1.1	No	Yes	No	SOT23	0.63	Processor Supervisory Circuit
TPS3705-33	No	3.3	50	2.93	2	No	Yes	Yes	MSOP,SOIC	0.78	Processor Supervisory Circuits with Power-Fail
TPS3707-33	Yes	3.3	50	2.93	2	No	No	Yes	MSOP,SOIC	0.74	Processor Supervisory Circuits with Power-Fail
TLC7705	Yes	5	16	4.55	1	No	No	No	CDIP,CFP,LCCC,PDIP,SOIC,TSSOP	0.61	Single Power SVS (5v) W/Pgmable Time Delay & Push-Pull Outputs
TPS3801I50	No	5	25	4.55	2	No	No	No	SC70	0.47	Processor Supervisory Circuits
TPS3801T50	No	5	25	4	2	No	No	No	SC70	0.47	Ultra-Small Supply Voltage Supervisors
TPS3809I50	No	5	25	4.55	2	No	No	No	SOT23	0.37	3-Pin Supply Voltage Supervisor
TPS3820-50	No	5	25	4.55	1.1	No	Yes	No	SOT23	0.63	Processor Supervisory Circuits
TPS3823-50	No	5	25	4.55	1.1	No	Yes	No	SOT23	0.63	Supply Voltage Supervisor w/Watchdog input and manual reset
TPS3824-50	Yes	5	25	4.55	1.1	No	Yes	No	SOT23	0.63	Supply Voltage Supervisor w/Watchdog input, RESET, /RESET
TPS3825-50	Yes	5	25	4.55	1.1	No	No	No	SOT23	0.56	Processor Supervisory Circuits
TPS3828-50	No	5	25	4.55	1.1	No	Yes	No	SOT23	0.63	Processor Supervisory Circuit
TL7757	No	5	40	4.55	1	No	No	No	SOIC,SOT,TO/SOT	0.70	Supply-Voltage Supervisor And Precision Voltage Detector
TL7759	Yes/No	5	40	4.55	1	No	No	No	PDIP,SOIC,SOP,TSSOP	0.70	4-Terminal SVS For 5V Systems
TPS3305-33	Yes	5	40	4.55	2.7	No	Yes	No	MSOP,SOIC	0.92	Dual Processor Supervisory Circuits
TPS3306-33	No	5	40	4.55	2.7	No	Yes	Yes	MSOP,SOIC	0.99	Dual-Processor Supervisory Circuits with Power-Fail
TPS3307-33	Yes	5	40	4.55	2	No	No	No	MSOP,SOIC	0.99	Triple Processor Supervisory Circuits
TPS3705-50	No	5	50	4.55	2	No	Yes	Yes	MSOP,SOIC	0.78	Processor Supervisory Circuits with Power-Fail
TPS3707-50	Yes	5	50	4.55	2	No	No	Yes	MSOP,SOIC	0.74	Processor Supervisory Circuits with Power-Fail
TPS3510	No	5	1000	3.5	4	Yes	No	Yes	PDIP,SOIC	0.52	3-Channel Supervisor for Switch-Mode Power Supplies
TPS3513	No	5	1000	3.5	4.5	Yes	No	Yes	PDIP,SOIC	0.78	3-Channel Supervisor with Over-Current Detect For Switch-Mode Pwr Sup
TL7705A	Yes	5	3000	4.55	3.5	No	No	No	PDIP,SOIC,SOP	0.56	Single Supply Voltage Supervisor for 5V Systems with Pgmable Time Delay
TL7705B	Yes	5	3000	4.55	3.6	No	No	No	PDIP,SOIC	0.77	Single Supply Voltage Supervisor for 5V Systems with Pgmable Time Delay
TL7770-5	Yes	5	5000	4.55	3.5	Yes	No	No	PDIP,SOIC	1.22	Dual Svs, 5V & Pgmable, W/Pgmable Time Delay
UCC3946	No	5.5	18	1.235	1	No	Yes	No	PDIP,SOIC,TSSOP	1.27	Microprocessor Supervisor with Watchdog Timer
TPS3803-01	No	6	4	1.226	1.3	No	No	No	SC70	0.47	Single Voltage Detector
TLC7701	Yes	6	16	1.1	1	No	No	No	PDIP,SOIC,TSSOP	0.61	Adjustable Single SVS W/Pgmable Time Delay
TL7709A	Yes	9	3000	7.6	3.5	No	No	No	PDIP,SOIC	0.70	Single SVS For 9v Systems W/Pgmable Time Delay
TL7712A	Yes	12	3000	10.8	3.5	No	No	No	PDIP,SOIC	0.70	Single SVS For 12V Systems W/Pgmable Time Delay
TL7770-12	Yes	12	5000	10.9	3.5	Yes	No	No	SOIC	1.76	Dual Svs, 12V & Pgmable W/Pgmable Time Delay
UC3904	Yes	20	4500	2.5	0.8	Yes	No	No	PDIP,SOIC	2.18	Precision Quad Supply and Line Monitor
UC3543	No	40	15000	2.5	4.5	Yes	No	Yes	CDIP,PDIP,SOIC	2.35	Power Supply Supervisory Circuit
UC3544	No	40	15000	2.5	4.5	Yes	No	Yes	PDIP,SOIC	1.56	Power Supply Supervisory Circuit
UC3903	No	40	18000	2.5	3	Yes	No	Yes	CDIP,PDIP,PLCC,SOIC	2.00	Quad Supply and Line Monitor
TL7700	No		1000		1.8	No	No	No	PDIP,SOP,TSSOP	1.75	Voltage Supervisor

\*Budgetary price per unit in U.S. dollars, lots of 1,000+

Preview devices announced but not yet in production appear in **BOLD**.

■ Supervisory Circuits—Processor Supervisors

Device Name	V <sub>CC</sub> (nom) (V)	V <sub>I</sub> (V)	V <sub>IN</sub> (min) (V)	Over-Voltage Sense	WDI	Reset Active High	Power Fail	I <sub>CC</sub> (max) (μA)	Package	Price*	Description
TPS3106E09	0.9	0.86	0.4	No	No	No	No	3	SOT23	0.87	UltraLow-Supply Current/Supply-Voltage Supervisory Circuits
TPS3110E09	0.9	0.86	0.4	No	Yes	No	No	3	SOT23	0.93	UltraLow-Supply Current/Supply-Voltage Supervisory Circuits
TPS3613-01	1.15	1.15	1.65	No	No	Yes	No	40	MSOP	1.52	Adjustable Battery-Backup Supervisor for RAM Retention
TPS3103E12	1.2	1.142	0.4	No	No	No	Yes	3	SOT23	0.86	UltraLow-Supply Current/Supply-Voltage Supervisory Circuit
TPS3110E12	1.2	1.142	0.4	No	Yes	No	No	3	SOT23	0.93	UltraLow-Supply Current/Supply-Voltage Supervisory Circuits
TPS3123J12	1.2	1.08	0.75	No	Yes	No	No	30	SOT23	0.79	Ultra-Low Voltage Processor Supervisory Circuit
TPS3124J12	1.2	1.08	0.75	No	Yes	Yes	No	30	SOT23	0.79	Ultra-Low Voltage Processor Supervisory Circuit
TPS3125J12	1.2	1.08	0.75	No	No	Yes	No	30	SOT23	0.73	Ultra-Low Voltage Processor Supervisory Circuit
TPS3126E12	1.2	1.14	0.75	No	No	Yes	No	25	SOT23	0.73	1.2-V Processor Supervisory Circuit
TPS3128E12	1.2	1.14	0.75	No	Yes	No	No	30	SOT23	0.79	1.2-V Processor Supervisory Circuit
TPS3103E15	1.5	1.434	0.4	No	No	No	Yes	3	SOT23	0.86	UltraLow-Supply Current/Supply-Voltage Supervisory Circuit
TPS3110E15	1.5	1.434	0.4	No	Yes	No	No	3	SOT23	0.93	UltraLow-Supply Current/Supply-Voltage Supervisory Circuits
TPS3123G15	1.5	1.4	0.75	No	Yes	No	No	30	SOT23	0.79	Ultra-Low Voltage Processor Supervisory Circuit
TPS3124G15	1.5	1.4	0.75	No	Yes	Yes	No	30	SOT23	0.79	Ultra-Low Voltage Processor Supervisory Circuit
TPS3125G15	1.5	1.4	0.75	No	No	Yes	No	30	SOT23	0.73	Ultra-Low Voltage Processor Supervisory Circuit
TPS3126E15	1.5	1.43	0.75	No	No	Yes	No	25	SOT23	0.73	1.5-V Processor Supervisory Circuit
TPS3128E15	1.5	1.43	0.75	No	Yes	No	No	30	SOT23	0.79	1.5-V Processor Supervisory Circuit
TPS3306-15	1.5	1.4	2.7	No	Yes	No	Yes	40	MSOP,SOIC	0.99	Dual-Processor Supervisory Circuits with Power-Fail
TPS3106E16	1.6	1.521	0.4	No	No	No	No	3	SOT23	0.86	UltraLow-Supply Current/Supply-Voltage Supervisory Circuits
TPS3123J18	1.8	1.62	0.75	No	Yes	No	No	30	SOT23	0.79	Ultra-Low Voltage Processor Supervisory Circuit
TPS3124J18	1.8	1.62	0.75	No	Yes	Yes	No	30	SOT23	0.79	Ultra-Low Voltage Processor Supervisory Circuit
TPS3125J18	1.8	1.62	0.75	No	No	Yes	No	30	SOT23	0.73	Ultra-Low Voltage Processor Supervisory Circuit
TPS3126E18	1.8	1.71	0.75	No	No	Yes	No	25	SOT23	0.73	1.8-V Processor Supervisory Circuit
TPS3128E18	1.8	1.71	0.75	No	Yes	No	No	30	SOT23	0.79	1.8-V Processor Supervisory Circuit
TPS3305-18	1.8	1.68	2.7	No	Yes	Yes	No	40	MSOP,SOIC	0.92	Dual Processor Supervisory Circuits
TPS3306-18	1.8	1.68	2.7	No	Yes	No	Yes	40	MSOP,SOIC	0.99	Dual-Processor Supervisory Circuits with Power-Fail
TPS3610U18	1.8	1.71	1.65	No	Yes	No	Yes	40	TSSOP	1.97	Battery-Backup Supervisors for RAM Retention
TPS3836E18	1.8	1.71	1.6	No	No	No	No	0.45	SOT23	0.80	220nA Supervisor with 10ms/200ms selectable delay time
TPS3837E18	1.8	1.71	1.6	No	No	Yes	No	0.45	SOT23	0.80	220nA Supervisor with 10ms/200ms selectable delay time
TPS3838E18	1.8	1.71	1.6	No	No	No	No	0.45	SOT23	0.80	220nA Supervisor with 10ms/200ms selectable delay time
TPS3103H20	2	1.843	0.4	No	No	No	Yes	3	SOT23	0.86	UltraLow-Supply Current/Supply-Voltage Supervisory Circuit
TPS3306-20	2	1.85	2.7	No	Yes	No	Yes	40	MSOP,SOIC	0.99	Dual-Processor Supervisory Circuits with Power-Fail
TPS3600D20	2	1.78	1.65	No	Yes	No	Yes	40	TSSOP	2.15	Battery-Backup Supervisor for Low Power Processors
TLC7725	2.5	2.25	1	No	No	Yes	No	16	PDIP,SOIC,TSSOP	0.77	μPower Supply Voltage Supervisor
TPS3305-25	2.5	2.25	2.7	No	Yes	Yes	No	40	MSOP,SOIC	0.92	Dual Processor Supervisory Circuits
TPS3306-25	2.5	2.25	2.7	No	Yes	No	Yes	40	MSOP,SOIC	0.99	Dual-Processor Supervisory Circuits with Power-Fail
TPS3600D25	2.5	2.22	1.65	No	Yes	No	Yes	40	TSSOP	2.15	Battery-Backup Supervisor for Low Power Processors
TPS3813J25	2.5	2.25	2	No	Yes	No	No	13	SOT23	0.83	Supervisors with Pgrmable Watchdog Window

\*Budgetary price per unit in U.S. dollars, lots of 1,000+

Preview devices announced but not yet in production appear in **BOLD**.



## ■ Supervisory Circuits—Processor Supervisors (Continued)

Device Name	Sorted By		V <sub>IN</sub> (min) (V)	Over-Voltage Sense	WDI	Reset Active High	Power Fail	I <sub>CC</sub> (max) (μA)	Package	Price*	Description
	V <sub>CC</sub> (nom) (V)	V <sub>t</sub> (V)									
TPS3823-25	2.5	2.25	1.1	No	Yes	No	No	25	SOT23	0.63	Supply Voltage Supervisor w/Watchdog input and manual reset
TPS3824-25	2.5	2.25	1.1	No	Yes	Yes	No	25	SOT23	0.63	Supply Voltage Supervisor w/Watchdog input, RESET, /RESET
TPS3836J25	2.5	2.25	1.6	No	No	No	No	0.45	SOT23	0.80	220nA Supervisor with 10ms/200ms selectable delay time
TPS3837J25	2.5	2.25	1.6	No	No	Yes	No	0.45	SOT23	0.80	220nA Supervisor with 10ms/200ms selectable delay time
TPS3838J25	2.5	2.25	1.6	No	No	No	No	0.45	SOT23	0.80	220nA Supervisor with 10ms/200ms selectable delay time
TL7702A	2.7	2.53	3.5	No	No	Yes	No	3000	PDIP,SOIC	0.50	Single SVS with Pgmable UV Threshold & Reset Time Delay
TL7702B	2.7	2.53	3.6	No	No	Yes	No	3000	PDIP,SOIC	0.73	Single SVS with Pgmable UV Threshold & Reset Time Delay
TLC7703	3	2.63	1	No	No	Yes	No	16	PDIP,SOIC,TSSOP	0.78	Single SVS For 3.0V Systems W/Pgrmable Time Delay
TPS3125L30	3	2.64	0.75	No	No	Yes	No	30	SOT23	0.73	Ultra-Low Voltage Processor Supervisory Circuit
TPS3705-30	3	2.63	2	No	Yes	No	Yes	50	MSOP,SOIC	0.78	Processor Supervisory Circuits with Power-Fail
TPS3813L30	3	2.64	2	No	Yes	No	No	13	SOT23	0.83	Supervisors with Pgrmable Watchdog Window
TPS3823-30	3	2.63	1.1	No	Yes	No	No	25	SOT23	0.63	Supply Voltage Supervisor w/Watchdog input and manual reset
TPS3824-30	3	2.63	1.1	No	Yes	Yes	No	25	SOT23	0.63	Supply Voltage Supervisor w/Watchdog input, RESET, /RESET
TPS3836L30	3	2.64	1.6	No	No	No	No	0.45	SOT23	0.80	220nA Supervisor with 10ms/200ms selectable delay time
TPS3837L30	3	2.64	1.6	No	No	Yes	No	0.45	SOT23	0.80	220nA Supervisor with 10ms/200ms selectable delay time
TPS3838L30	3	2.64	1.6	No	No	No	No	0.45	SOT23	0.80	220nA Supervisor with 10ms/200ms selectable delay time
TLC7733	3.3	2.93	1	No	No	Yes	No	16	CDIP,LCCC,PDIP,SOIC,TSSOP	0.77	Single SVS For 3.3V Systems W/Pgrmable Time Delay
TPS3103K33	3.3	2.941	0.4	No	No	No	Yes	3	SOT23	0.86	Ultra-Low Supply Current/Supply Voltage Supervisory Circuits
TPS3106K33	3.3	2.941	0.4	No	No	No	No	3	SOT23	0.86	Ultra Low-Supply Current/Supply-Voltage Supervisory Circuits
TPS3110K33	3.3	2.941	0.4	No	Yes	No	No	3	SOT23	0.94	UltraLow-Supply Current/Supply-Voltage Supervisory Circuits
TPS3600D33	3.3	2.93	1.65	No	Yes	No	Yes	40	TSSOP	2.15	Battery-Backup Supervisor for Low Power Processors
TPS3606-33	3.3	2.93	1.65	No	Yes	No	Yes	40	MSOP	1.68	Battery-Backup Supervisor for Low Power Processor
TPS3619-33	3.3	2.93	1.65	No	No	No	Yes	40	MSOP	1.05	Battery-Backup Supervisors for RAM Retention
TPS3705-33	3.3	2.93	2	No	Yes	No	Yes	50	MSOP,SOIC	0.78	Processor Supervisory Circuits with Power-Fail
TPS3813K33	3.3	2.93	2	No	Yes	No	No	13	SOT23	0.83	Supervisors with Pgrmable Watchdog Window
TPS3820-33	3.3	2.93	1.1	No	Yes	No	No	25	SOT23	0.63	Processor Supervisory Circuits
TPS3823-33	3.3	2.93	1.1	No	Yes	No	No	25	SOT23	0.63	Supply Voltage Supervisor w/Watchdog input and manual reset
TPS3824-33	3.3	2.93	1.1	No	Yes	Yes	No	25	SOT23	0.63	Supply Voltage Supervisor w/Watchdog input, RESET, /RESET
TPS3825-33	3.3	2.93	1.1	No	No	Yes	No	25	SOT23	0.56	Processor Supervisory Circuits
TPS3828-33	3.3	2.93	1.1	No	Yes	No	No	25	SOT23	0.63	Processor Supervisory Circuit
TPS3836K33	3.3	2.93	1.6	No	No	No	No	0.45	SOT23	0.80	220nA Supervisor with 10ms/200ms selectable delay time
TPS3837K33	3.3	2.93	1.6	No	No	Yes	No	0.45	SOT23	0.80	220nA Supervisor with 10ms/200ms selectable delay time
TPS3838K33	3.3	2.93	1.6	No	No	No	No	0.45	SOT23	0.80	220nA Supervisor with 10ms/200ms selectable delay time
TL7705A	5	4.55	3.5	No	No	Yes	No	3000	PDIP,SOIC,SOP	0.56	Single Supply Voltage Supervisor for 5V Systems with Pgrmable Time Delay
TL7705B	5	4.55	3.6	No	No	Yes	No	3000	PDIP,SOIC	0.77	Single Supply Voltage Supervisor for 5V Systems with Pgrmable Time Delay

\*Budgetary price per unit in U.S. dollars, lots of 1,000+

Preview devices announced but not yet in production appear in **BOLD**.

■ Supervisory Circuits—Processor Supervisors (Continued)

Device Name	V <sub>CC</sub> (nom) (V)	V <sub>t</sub> (V)	V <sub>IN</sub> (min) (V)	Over-Voltage Sense	WDI	Reset Active High	Power Fail	I <sub>CC</sub> (max) (μA)	Package	Price*	Description
TL7733B	5	3.08	0	No	No	Yes	No	3500	PDIP,SOIC	0.73	Single Supply-Voltage Supervisor
TL7757	5	4.55	1	No	No	No	No	40	SOIC,SOT,TO/SOT	0.70	Supply-Voltage Supervisor And Precision Voltage Detector
TL7759	5	4.55	1	No	No	No	No	40	PDIP,SOIC,SOP,TSSOP	0.70	4-Terminal SVS For 5V Systems
TL7770-5	5	4.55	3.5	Yes	No	Yes	No	5000	PDIP,SOIC	1.22	Dual Svs, 5V & Pgmable, W/Pgmable Time Delay
TLC7705	5	4.55	1	No	No	Yes	No	16	CDIP,CFP,LCCC,PDIP,SOIC,TSSOP	0.61	Single Power SVS (5v) W/Pgmable Time Delay & Push-Pull Outputs
TPS3305-33	5	4.55	2.7	No	Yes	Yes	No	40	MSOP,SOIC	0.92	Dual Processor Supervisory Circuits
TPS3306-33	5	4.55	2.7	No	Yes	No	Yes	40	MSOP,SOIC	0.99	Dual-Processor Supervisory Circuits with Power-Fail
TPS3600D50	5	4.55	1.65	No	Yes	No	Yes	40	TSSOP	2.15	Battery-Backup Supervisor for Low Power Processors
TPS3610T50	5	4.55	1.65	No	Yes	No	Yes	40	TSSOP	1.97	Battery-Backup Supervisors for RAM Retention
TPS3617-50	5	4.55	1.65	No	Yes	No	Yes	40	MSOP	1.26	Battery-Backup Supervisors for RAM Retention
TPS3619-50	5	4.55	1.65	No	No	No	Yes	40	MSOP	1.05	Battery-Backup Supervisors for RAM Retention
TPS3705-50	5	4.55	2	No	Yes	No	Yes	50	MSOP,SOIC	0.78	Processor Supervisory Circuits with Power-Fail
TPS3813I50	5	4.55	2	No	Yes	No	No	13	SOT23	0.83	Supervisors with Pgrmable Watchdog Window
TPS3820-50	5	4.55	1.1	No	Yes	No	No	25	SOT23	0.63	Processor Supervisory Circuits
TPS3823-50	5	4.55	1.1	No	Yes	No	No	25	SOT23	0.63	Supply Voltage Supervisor w/Watchdog input and manual reset
TPS3824-50	5	4.55	1.1	No	Yes	Yes	No	25	SOT23	0.63	Supply Voltage Supervisor w/Watchdog input, RESET, /RESET
TPS3825-50	5	4.55	1.1	No	No	Yes	No	25	SOT23	0.56	Processor Supervisory Circuits
TPS3828-50	5	4.55	1.1	No	Yes	No	No	25	SOT23	0.63	Processor Supervisory Circuit
UCC2946	5.5	1.235	1	No	Yes	No	No	18	SOIC,TSSOP	1.40	Microprocessor Supervisor with Watchdog Timer
UCC3946	5.5	1.235	1	No	Yes	No	No	18	PDIP,SOIC,TSSOP	1.27	Microprocessor Supervisor with Watchdog Timer
TLC7701	6	1.1	1	No	No	Yes	No	16	PDIP,SOIC,TSSOP	0.61	Adjustable Single SVS W/Pgrmable Time Delay
TL7709A	9	7.6	3.5	No	No	Yes	No	3000	PDIP,SOIC	0.70	Single SVS For 9v Systems W/Pgmable Time Delay
TL7712A	12	10.8	3.5	No	No	Yes	No	3000	PDIP,SOIC	0.70	Single SVS For 12V Systems W/Pgmable Time Delay
TL7770-12	12	10.9	3.5	Yes	No	Yes	No	5000	SOIC	1.76	Dual Svs, 12V & Pgmable W/Pgmable Time Delay
UC1543	40	2.5	4.5	Yes	No	No	Yes	15000	CDIP,LCCC	9.34	Power Supply Supervisory Circuit
UC2543	40	2.5	4.5	Yes	No	No	Yes	15000	CDIP,PDIP,SOIC	2.66	Power Supply Supervisory Circuit
UC2544	40	2.5	4.5	Yes	No	No	Yes	15000	PDIP,SOIC	3.13	Power Supply Supervisory Circuit
UC3543	40	2.5	4.5	Yes	No	No	Yes	15000	CDIP,PDIP,SOIC	2.35	Power Supply Supervisory Circuit
UC3544	40	2.5	4.5	Yes	No	No	Yes	15000	PDIP,SOIC	1.56	Power Supply Supervisory Circuit
TL7700			1.8	No	No	No	No	1000	PDIP,SOP	1.75	Voltage Supervisor
TL7705									PDIP	1.26	Single Supply Voltage Supervisor for 5V Systems with Pgrmable Time Delay

\*Budgetary price per unit in U.S. dollars, lots of 1,000+

Preview devices announced but not yet in production appear in **BOLD**.

To order any of the following literature by telephone, please contact the Product Information Center nearest you. A complete listing of TI's Product Information Centers can be found on the last page of this guide.

For online access to a list of TI's Product Information Centers and distributors in your area, as well as links directing you to information on Evaluation Modules and Design Tools, go to: [www.ti.com/sc/docs/msp/tools/tools.htm](http://www.ti.com/sc/docs/msp/tools/tools.htm)

TITLE	ORDER NO.
-------	-----------

**Literature**

**Standard Voltage Regulators**

DV2002L2/TL2 Fast Charge Development System Control of LM317 Linear Regulator . . . . .	SLUU007A
---	----------

**DC/DC Controllers**

Adjustable Boost Converter EVM Using The TL5001 PWM Controller . . . . .	SLVU004
Designing Low-Cost Buck Regulators Using The TL5001A . . . . .	SLVU014
Designing with the TL1454 PWM Controller User's Guide . . . . .	SLVU012
Fast Response Synchronous Buck Converter Design Using The TI TPS56xx Family . . . . .	SLVU007
High Efficiency Synchronous Buck DC/DC Converter EVM . . . . .	SLVU066
High Performance 3-A Output Synchronous Buck EVM . . . . .	SLVU021
High Performance 45-A Synchronous Buck EVM Using The TPS5210 . . . . .	SLVU015
High Performance Synchronous Buck EVM Using The TPS5210 . . . . .	SLVU010
High Performance Synchronous Buck EVM Using the TPS56100 in Systems with Only 5V . . . . .	SLVU018
High Performance VRM Using The TPS5210 . . . . .	SLVU011
High-Density Synchronous Buck Converter Design Using TPS56xx Controllers . . . . .	SLVU013
Infiniband Bulk Power Evaluation Module and Interface Card . . . . .	SLVU047
SLVO180C DDR Power Supply EVM Using TL5002 (Synchronous Buck Controller) . . . . .	SLVU044
SLVP087 Buck Converter Evaluation Module . . . . .	SLVU003A
SLVP101, SLVP102, And SLVP103 Buck Converter Design Using The TL5001 . . . . .	SLVU005
SLVP182 High Accuracy Synthronous Buck DC/DC Converter EVM . . . . .	SLVU046
Synchronous Buck Converter Evaluation Module . . . . .	SLVU001A
Synchronous Buck Converter EVM Using the TPS5211 . . . . .	SLVU032
TL5001EVM-097 3.3-V/5-V Selectable Output, 2.5-A Buck Converter User's Guide . . . . .	SLVU002B

TITLE	ORDER NO.
-------	-----------

**DC/DC Converters (Integrated Switch)**

UCC3585 Low Voltage Synchronous Buck Converter Evaluation Board . . . . .	SLUU089
TPS54310EVM 3-Amp Externally Compensated SWIFT Regulator Evaluation Module . . . . .	SLLU037
TPS54314 3-A Internally Compensated SWIFT Regulator EVM . . . . .	SLLU036
TPS54610EVM 6-Amp Externally Compensated SWIFT Regulator Evaluation Module . . . . .	SLVU054
TPS54614EVM, 1.8-V Swift Regulator Evaluation Module . . . . .	SLVU053
TPS61007EVM-177 EVM User's Guide for High-Efficiency Boost Converters . . . . .	SLVU039
TPS6100x Evaluation Module User's Guide . . . . .	SLVU029
TPS6101xEVM-157 EVM User's Guide for High-Efficiency, Boost Converters . . . . .	SLVU040
TPS61040EVM-002 White Light LED Bias Supply EVM . . . . .	SLVU068
TPS6200xEVM Low-Power, DC-DC EVM for High-Efficiency, Step Down Converters . . . . .	SLVU038
Using the TPS62102 Low-Power High-Efficiency Buck Converter Evaluation Module . . . . .	SLUU070

**Charge Pumps**

Evaluation Module (EVM) for Regulated 3.3-V, 100-mA, Low Ripple Charge Pump . . . . .	SLVU027
Evaluation Modules (EVMs) for TPS6012x and TPS6013x . . . . .	SLVU022
TPS60100 And TPS60110 EVM . . . . .	SLVU016
TPS60120EVM-174 Battery-Powered, Dual-Output, Power-Supply EVM for DSPs . . . . .	SLVU035
TPS6012x EVM Regulated 3.3-V, 100-mA Charge Pump with UltraLow Operating Current . . . . .	SLVU030
TPS6014x Charge Pump Evaluation Module User's Guide . . . . .	SLVU023
TPS60241EVM-194 170 μVrms Zero-Ripple Switched Cap Buck-Boost Converter . . . . .	SLVU057
TPS6030x EVM-170 Single-Cell Charge Pump Evaluation Module . . . . .	SLVU034
TPS60400EVM-178 for Evaluating TPS6040x Charge Pump Devices . . . . .	SLVU051

**Current Mode**

10-Watt Flyback Converter Utilizing the UCC3809 . . . . .	SLUU087B
---	----------

**Voltage Mode**

Off-Line Low-Voltage Power Supply Evaluation Module UCC3889EVM-001 for TMS320C24 . . . . .	SLUU102
TL1451EVM-166 3.3-V/1.8-V Dual Buck EVM Using the TL1451A . . . . .	SLVU043



TITLE	ORDER NO.
<b>Literature (Continued)</b>	
<b>Power Factor Correction ICs</b>	
UCC3817 BiCMOS Power Factor Preregulator Evaluation Board . . . .	SLUU077C
Using the UCC38500 EVM . . . . .	SLUU068B
<b>Soft Switching</b>	
Flyback Converters, Active Clamp vs. Hard-Switched Evaluation Board . . . . .	SLUU085
UCC3895 Advanced Phase Controller Evaluation Board . . . . .	SLUU069A
UCC3895EVM-001 Configuring The UCC3895 For Direct Control Driven Synchronous . . . . .	SLUU109A
<b>Voltage References and Shunts</b>	
10-Watt Flyback Converter Utilizing the UCC3809 . . . . .	SLUU087B
<b>Chargers</b>	
bq2420x Single-Chip Li-Ion/Li-Pol Charge Management IC for Current-Limited Apps . . . . .	SLUU107
bq24700/bq24701 Notebook PC Battery-Charge Controller and Selector with DPM . . . . .	SLUU097
Charge Management IC Evaluation Module User's Guide . . . . .	SLUU083
DV2000S1 Multi-Chemistry Switching Charger Development System User's Guide . . . . .	SLUU006A
DV2002L2/TL2 Fast Charge Development System Control of LM317 Linear Regulator . . . . .	SLUU007A
DV2003L1 Fast Charge Development System Control of On-Board Linear Current . . . . .	SLUU009
DV2003S1 Fast Charge Development System User's Guide . . . . .	SLUU049
DV2003S2 Fast Charge Development System Control of On-Board n-FET Switch-Mode . . . . .	SLUU013
DV2004L1 Fast Charge Development System Control of PNP Power Transistor . . . . .	SLUU014
DV2004S1/ES1/HS1 Fast Charge Dev System Control of On-Board P-FET S-M Reg . . . . .	SLUU016
DV2005L1 Fast Charge Development System Control of PNP Power Transistor . . . . .	SLUU018
DV2005S1 Fast Charge Development System Control of On-Board P-FET Switch-Mode . . . . .	SLUU019
DV2005S3 Nickel/Li-Ion Development System Control of On-Board PNP Switch-Mode . . . . .	SLUU020
DV2031S1 Fast Charge Development System User's Guide . . . . .	SLUU022
DV2031S2 Lead-Acid Charger Development System Control of On-Board p-FET . . . . .	SLUU023

TITLE	ORDER NO.
<b>Chargers (Continued)</b>	
DV2054S2 Li-Ion Charger Development System User's Guide . . . . .	SLUU024
DV2954S1H Li-Ion Charger Development System User Manual . . . . .	SLUU053
Li-Ion Charger Development System Control of On-Board PNP Switch-Mode Regulator . . . . .	SLUU005
<b>Gas Gauges</b>	
bq2013HEVM-001 Gas Gauge IC Evaluation Module . . . . .	SLUU081
bq2014HEVM-001 Gas Gauge IC Evaluation Module User's Guide . . . . .	SLUU105
bq2040 EVM . . . . .	SLUU061
bq2040 SBS v1.0 Gas Gauge Demonstration Module . . . . .	SLUU065
bq2050H Evaluation Kit . . . . .	SLUU062
bq2050H Li-Ion Power Gauge (TM) Demonstration Module . . . . .	SLUU066
bq2052 EVM-001 Primary Lithium Gas Gauge IC Evaluation Module . . . . .	SLUU078
bq2060 EVM . . . . .	SLUU063
bq2060 SBS v1.1 Gas Gauge Demonstration Module . . . . .	SLUU060
EV2010 Evaluation System Product Brief . . . . .	SLUU030
EV2010 Gas Gauge Evaluation Board User's Guide . . . . .	SLUU028A
EV2011 bq2011 Evaluation System Product Brief . . . . .	SLUU032
EV2011 Gas Gauge Evaluation Board . . . . .	SLUU031
EV2012 Gas Gauge Evaluation Board User's Guide . . . . .	SLUU033
EV2012, bq2012 Evaluation System Product Brief . . . . .	SLUU034
EV2014 Gas Gauge Evaluation Board User Manual . . . . .	SLUU035
EV2014, bq2014 Evaluation Board Product Brief . . . . .	SLUU036
EV2014x Gas Gauge and Fast Charge Evaluation Board . . . . .	SLUU037
EV2050 Power Gauge™ Evaluation Board . . . . .	SLUU040
EV2050 Power Gauge Evaluation Board Product Brief . . . . .	SLUU057
EV2200-13H Evaluation System User's Guide . . . . .	SLUU043A
EV2200-40 Evaluation System User Guide . . . . .	SLUU045
EV2200-45 Evaluation System User Guide . . . . .	SLUU046
EV2200-50H Evaluation System User Guide . . . . .	SLUU047
EV2200-60 Evaluation System User's Guide . . . . .	SLUU091
<b>Battery Monitoring</b>	
bq2018 EVM . . . . .	SLUU059
bq2018 Power Minder™ Demonstration Module . . . . .	SLUU064
bq2019 EVM-001 Battery Monitoring IC Evaluation Module . . . . .	SLUU082A
bq2023EVM-002 Single-Cell Battery Monitor and Protector IC Evaluation Module Use . . . . .	SLUU099
EV2200-18 Evaluation System User Guide . . . . .	SLUU044
<b>Protection ICs</b>	
UCC3952 Evaluation Module . . . . .	SLUU075

TITLE	ORDER NO.
<b>Hot-Swap Controllers (External FET)</b>	
48-V Telecom Hot-Swap Evaluation Module and Interface Card . . . . .	SLVU048
Dual Hot Swap Controller Evaluation Module and Interface Card . . . . .	SLVU026
Infiniband Bulk Power Evaluation Module and Interface Card . . . . .	SLVU047
TPS2306 Dual Sequencing Hot Swap Power Manager . . . . .	SLUU094
UCC3913 or UCC3921 Hot Swap Power Manager EVM . . . . .	SLUU076A
UCC3917 Floating Hot Swap Power Manager Evaluation Board . . . . .	SLUU103
Using the UC3914 Hot Swap Power Manager . . . . .	SLUU104
<b>Current Limited Switches</b>	
TPS2080EVM for Compact Flash Plus Card . . . . .	SLVU055
<b>Backlight Converters</b>	
UCC3976/7 Dual Evaluation Module . . . . .	SLUU108

## Evaluation Modules and Development Tools

To ease and speed the design process, TI offers evaluation modules (EVMs) for many analog and mixed-signal products.

EVMs contain a fully-assembled evaluation board, data sheet and user's guide. Some modules may include applications notes, software, cables and connectors.

To determine whether a product has an EVM, simply access the "product folder" for the part in question at <http://analog.ti.com> by entering the part number of the product in the "Search TI" field. The "product folder" will appear in the search results. Next, click on the "product folder" then click on "Development Tools" (upper right-hand section of the page) to determine EVM availability.

To place an order for an EVM or if you do not have Internet access, contact TI's Product Information Center (PIC) at 1-800-477-8924, ext. 5800 in North America, or go to: <http://support.ti.com> to locate the Product Information Center nearest you. EVMs may also be ordered through your local TI distributor. See <http://focus.ti.com/docs/general/distributor.jhtml> for distributor listings.

## TI Worldwide Technical Support

---

### Internet

#### TI Semiconductor Product Information Center Home Page

support.ti.com

#### TI Semiconductor KnowledgeBase Home Page

support.ti.com/sc/knowledgebase

### Product Information Centers

#### Americas

Phone +1(972) 644-5580  
Fax +1(972) 927-6377  
Internet/Email support.ti.com/sc/pic/americas.htm

#### Europe, Middle East, and Africa

Phone  
Belgium (English) +32 (0) 27 45 55 32  
Finland (English) +358 (0) 9 25173948  
France +33 (0) 1 30 70 11 64  
Germany +49 (0) 8161 80 33 11  
Israel (English) 1800 949 0107  
Italy 800 79 11 37  
Netherlands (English) +31 (0) 546 87 95 45  
Spain +34 902 35 40 28  
Sweden (English) +46 (0) 8587 555 22  
United Kingdom +44 (0) 1604 66 33 99  
Fax +(49) (0) 8161 80 2045  
Email epic@ti.com  
Internet support.ti.com/sc/pic/euro.htm

#### Japan

Fax International +81-3-3344-5317  
Domestic 0120-81-0036  
Internet/Email International support.ti.com/sc/pic/japan.htm  
Domestic www.tij.co.jp/pic

#### Trademarks

AutoComp, Benchmarq, bqTINY, BURR-BROWN, CommsDAC, FilterPro, FlatLink, LinCMOS, MuxIt, Panelbus, Power Gauge, Power Trends, Power+, Power+ Arrays, Power+ Logic, PowerFLEX, PowerPAD, SmartDM, SpeedPlus, SPREETA, SWIFT, TMS320, TMS320C24x, TMS320C54x, TMS320C5x, TMS320C6000, TMS320C62x, Unitrode and VBAP are trademarks of Texas Instruments. FireWire, GeoPort, and LocalTalk are trademarks and AppleTalk is a registered trademark of Apple Computer, Inc. Direct Rambus is a trademark of Rambus, Inc. DSD Direct Stream Digital is a trademark of Sony Corporation. SoundPlus is a trademark of Sunplus Technology Co. SPI is a trademark of Motorola, Inc. Pentium is a registered trademark of Intel Corporation. CardBus is a trademark of Personal Computer Memory Card International Association.

#### Asia

Phone  
International +886-2-23786800  
Domestic Toll-Free Number  
Australia 1-800-999-084  
China 108-00-886-0015  
Hong Kong 800-96-5941  
Indonesia 001-803-8861-1006  
Korea 080-551-2804  
Malaysia 1-800-80-3973  
New Zealand 0800-446-934  
Philippines 1-800-765-7404  
Singapore 800-886-1028  
Taiwan 0800-006800  
Thailand 001-800-886-0010  
Fax 886-2-2378-6808  
Email tiasia@ti.com  
Internet support.ti.com/sc/pic/asia.htm